

Surface Mount Outlet Kit  
Slide Finish Assembly (surface mount outlets)

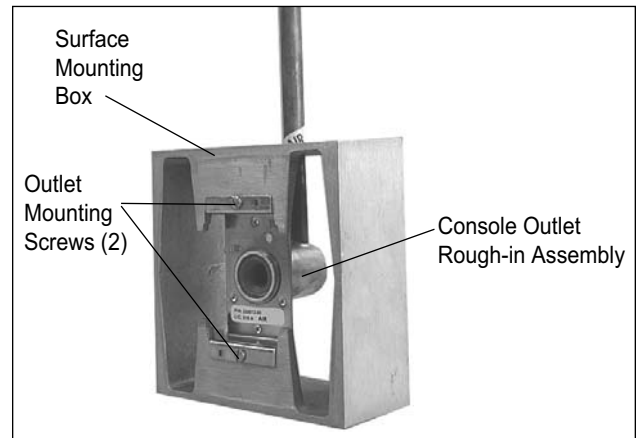
Part Number: 6-230882-00  
Part Number: 6-230883-00

**NOTE:**

Surface mount outlet kit consists of cast metal mounting box and two screws. BeaconMedæS console outlet rough-in assemblies can be surface mounted using this kit. Slide finish assemblies can also be mounted directly to surface mounting box.

### Surface Mounting Box and Console Outlet Rough-in Assembly Installation (Figure 1)

1. Determine location and gas service of outlet.  
(Wall mounted outlets in patient rooms should be located with outlet centerline approximately 5' above floor.)
2. Position appropriate console outlet rough-in assembly into surface mounting box and secure in place with two screws provided (Figure 1).
3. Secure surface mounting box (with console outlet rough-in assembly in place) to wall using fasteners suitable for type of wall construction (Figure 2).
4. Connect outlet extension tube to piping system drop per installation instructions provided with console outlet rough-in assembly.

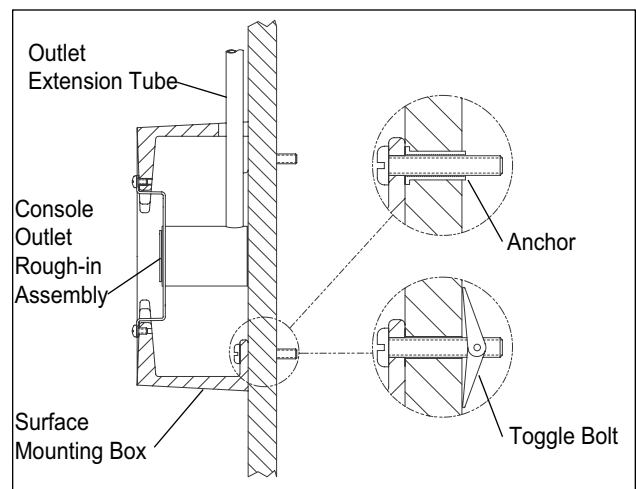


**Figure 1**

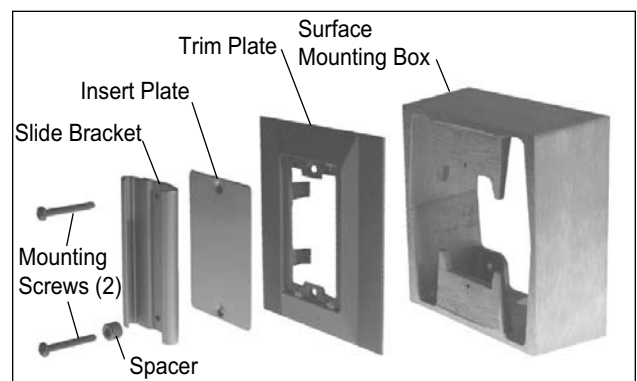
### Surface Mounting Box and Slide Finish Assembly Installation (Figure 3)

Slide finish assemblies may be installed adjacent to surface mounted outlets. Slide finish assembly consists of slide support bracket, trim plate, insert plate, spacer, and two mounting screws.

1. Secure surface mounting box to wall using fasteners suitable for type of wall construction (Figure 2). There are four screw mounting holes in back of box.
2. Position trim plate on surface mounting box.
3. Place insert plate into recess of trim plate.
4. Position slide bracket over insert plate and secure in place with upper mounting screw.
5. Place spacer over remaining screw. Insert into bottom mounting hole and secure in place.



**Figure 2**



**Figure 3**

## Specifications

Surface mount outlet kit shall consist of cast aluminum box capable of attaching to a standing wall surface and encasing a *BeaconMedæ's* console outlet rough-in assembly.

## Ordering Information

Surface mount outlet kit (P/N 6-230882-00) must be ordered with console outlet rough-in assembly, latch valve assembly, and trim plate (P/N 6-325161-00) to complete installation.

Type	Service	Console Outlet Rough-in Assembly	Latch Valve Assembly
Diameter-Index Safety System (DISS) (Domestic)	O <sub>2</sub>	6-233010-00	6-230910-00
	N <sub>2</sub> O	6-233011-00	6-230911-00
	Air	6-233012-00	6-230912-00
	VAC	6-233013-00	6-230913-00
	N <sub>2</sub>	6-233014-00	6-230914-00
	IAIR	6-233018-00	6-230916-00
	WAGD	6-233019-00	6-230919-00
DISS (ISO)	CO <sub>2</sub>	6-233020-00	6-230920-00
	O <sub>2</sub>	6-233010-00	6-230910-00
	Air	6-233016-00	6-230917-00
Puritan Bennett-Type Quick-Connect (Domestic)	VAC	6-233017-00	6-230918-00
	O <sub>2</sub>	6-233010-00	6-230930-00
	N <sub>2</sub> O	6-233011-00	6-230931-00
Puritan Bennett-Type Quick-Connect (Domestic)	Air	6-233012-00	6-230932-00
	VAC	6-233013-00	6-230933-00
	WAGD	6-233019-00	6-230939-00
	O <sub>2</sub>	6-233010-00	6-230930-00
Puritan Bennett-Type Quick-Connect (ISO)	Air	6-233016-00	6-230937-00
	VAC	6-233017-00	6-230938-00
	O <sub>2</sub>	6-233010-00	6-230940-00
Medaes-Type Quick-Connect (Domestic)	N <sub>2</sub> O	6-233011-00	6-230941-00
	Air	6-233012-00	6-230942-00
	VAC	6-233013-00	6-230943-00
	WAGD	6-233019-00	6-230946-00
Medaes-Type Quick-Connect (ISO)	O <sub>2</sub>	6-233010-00	6-230940-00
	Air	6-233016-00	6-230947-00
	VAC	6-233017-00	6-230948-00
Chemetron-Type Quick-Connect (Domestic)	O <sub>2</sub>	6-233010-00	6-230950-00
	N <sub>2</sub> O	6-233011-00	6-230951-00
	Air	6-233012-00	6-230952-00
	VAC	6-233013-00	6-230953-00
	WAGD	6-233019-00	6-230959-00
Chemetron-Type Quick-Connect (ISO)	O <sub>2</sub>	6-233010-00	6-230950-00
	Air	6-233016-00	6-230957-00
	VAC	6-233017-00	6-230958-00
Slide Finish Assembly	—	—	6-230883-00



Corporate Headquarters:

BeaconMedæ's  
PO Box 7064  
13325A Carowinds Boulevard  
Charlotte, NC 28241  
Phone (704) 588-0854  
Fax (704) 588-4949

For technical support or to

place an order call:

1 888 4 MEDGAS

(1-888-463-3427)

Fax (866) 635-3296

www.beaconmedaes.com