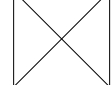
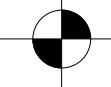


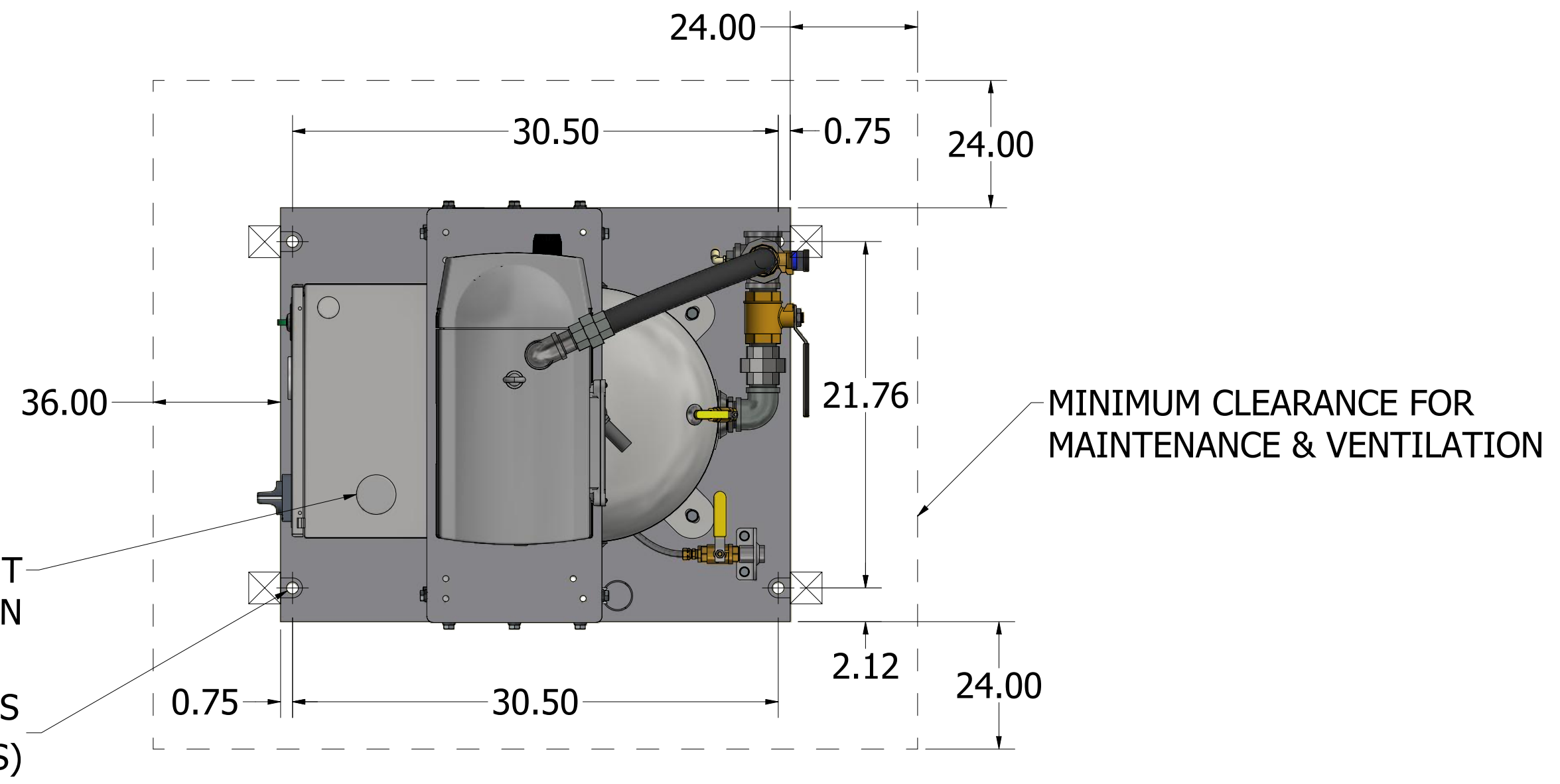
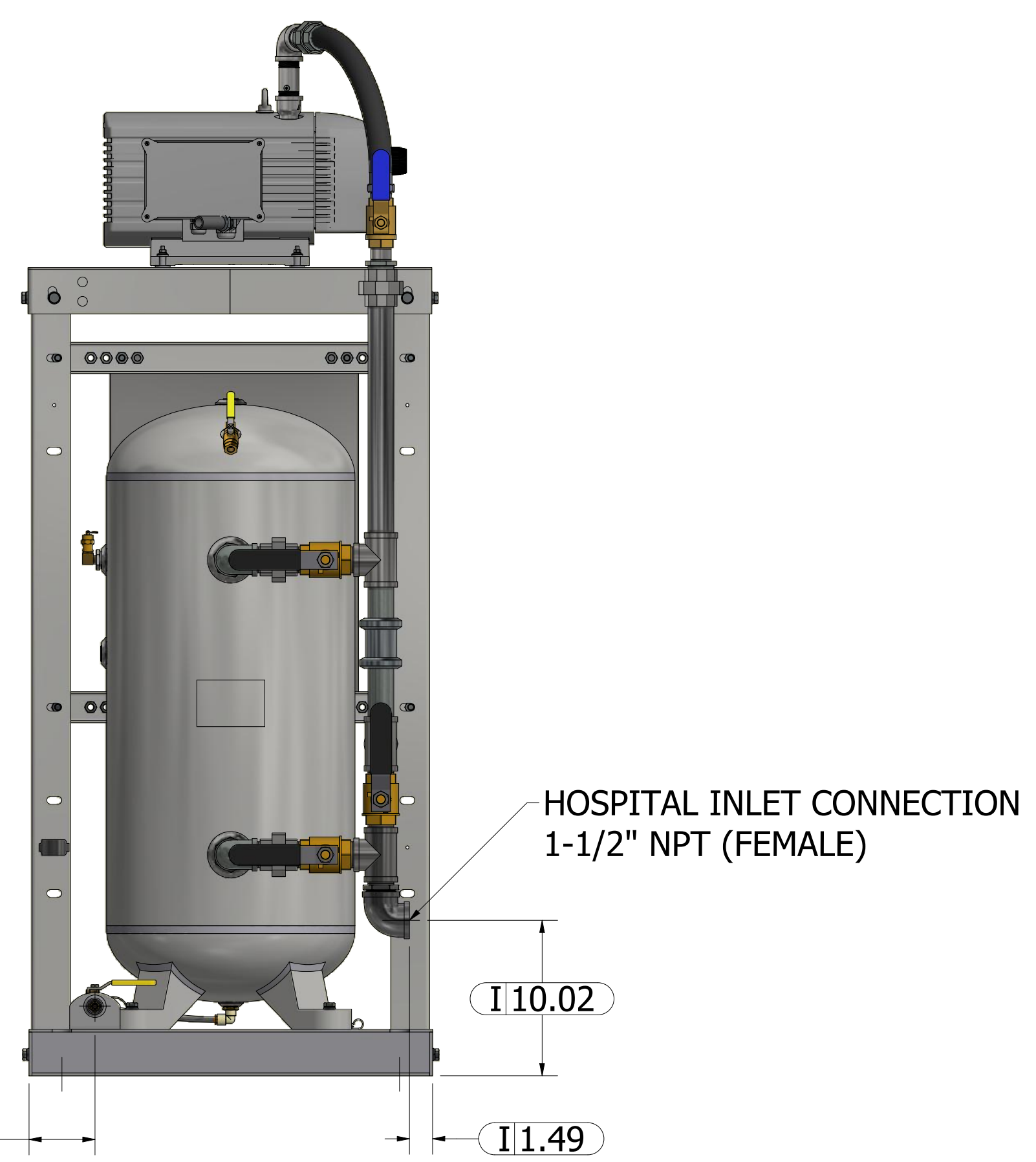
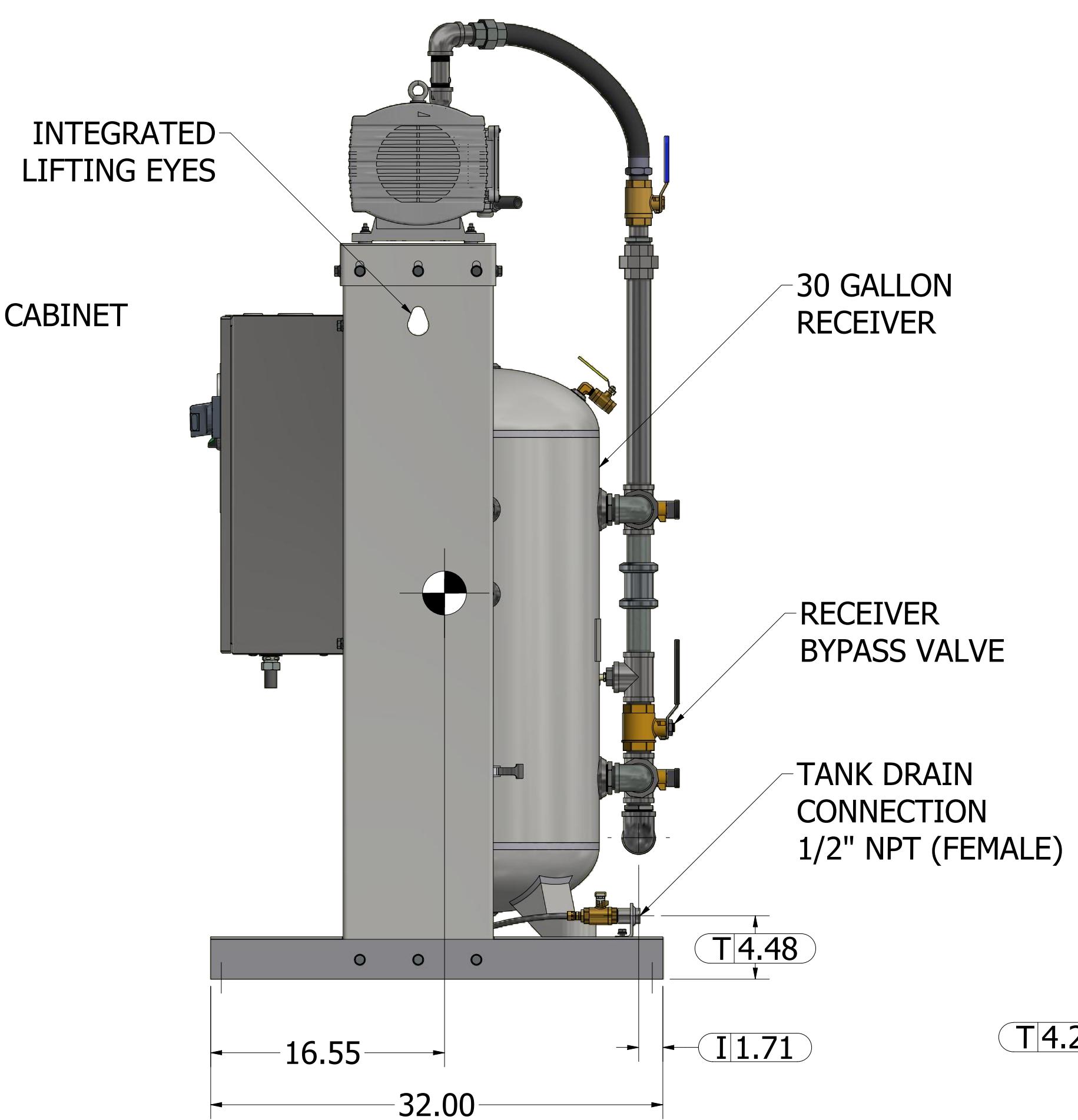
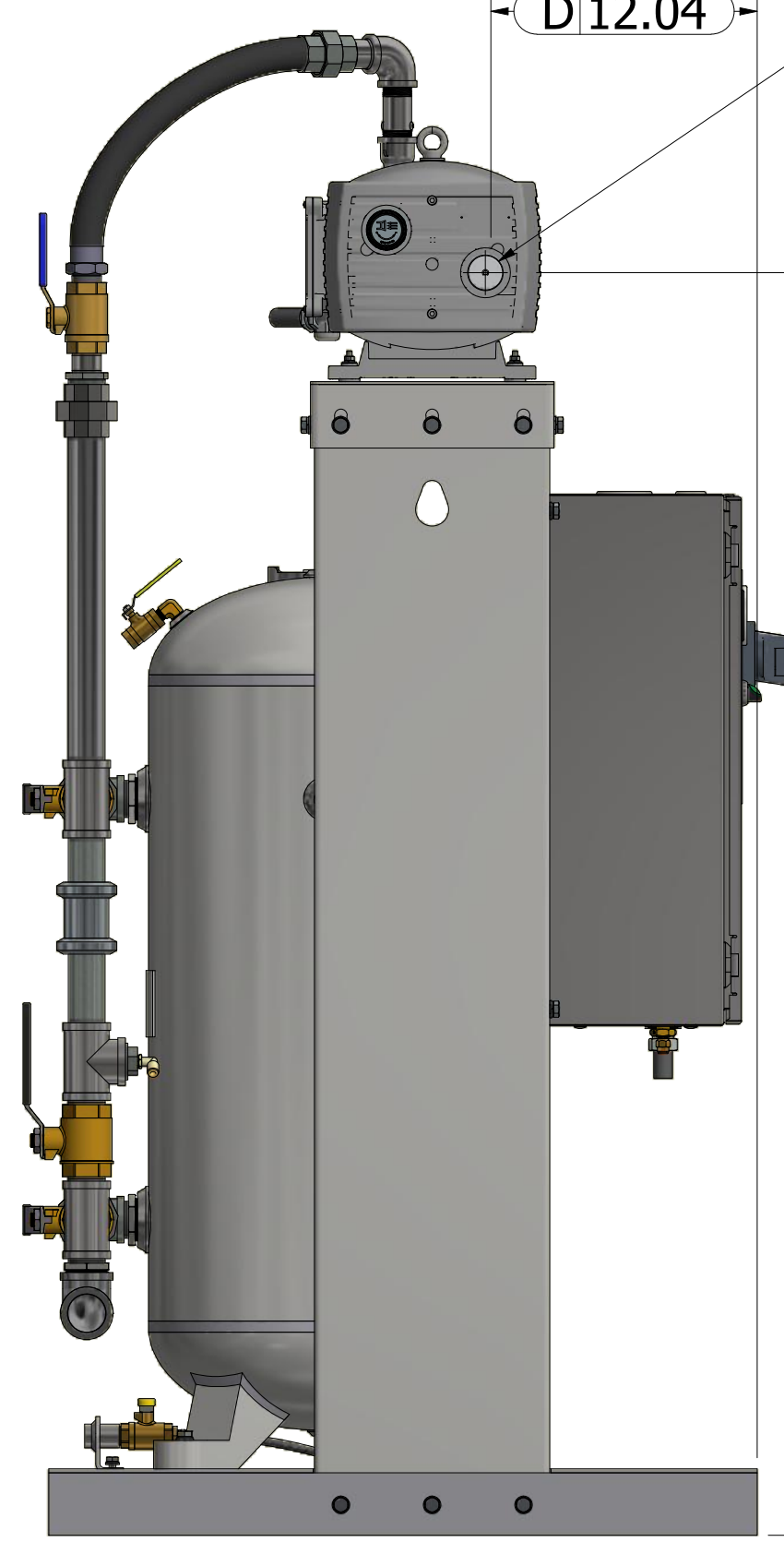
This drawing and the information contained thereon remain the property of BeaconMedaes and may not be used for other than the purpose for which it is loaned without the expressed written permission from BeaconMedaes Engineering.


Notes:

1. SYSTEM WEIGHT: 351 LBS
2.  INDICATES LIFTING POINTS
3.  DENOTES CENTER OF GRAVITY

SYSTEM CONNECTIONS	
ID	DESCRIPTION
I	INLET LOCATION
D	DISCHARGE LOCATION
T	TANK DRAIN

EXHAUST G 3/4"
REMOVE BLOW-OFF VALVE
AND DISCARD. INSTALL
PLASTIC PLUG FOR SHIPPING.
(NOTE: DISCHARGE FLEX
HOSE SHIPPED LOOSE)



Revised:	Date:	Drawn: BKW	Date: 7/27/2022
		This drawing and the information contained thereon remain the property of BeaconMedaes and may not be used for other than the purpose for which it is loaned without the expressed written permission from BeaconMedaes Engineering.	
Description: DWG GA SX 1.2HP DRY VTM V 30G BASIC BECKER		Part Number: 4107 8579 73 DN: HOP220445 Rev: 00	
Sheet 1 of 1		DO NOT SCALE THIS DOCUMENT	