

Tools required: Hand-held power drill
5/16" drill bit
#2 phillips head screwdriver

Introduction

DiamondCare® Recessed Wall Outlet Slide Accessories support trap bottles and other vacuum equipment. If you have questions about these instructions, contact BeaconMedæS Technical Support at 888-4MEDGAS (463-3427).

Recessed Wall Slide Finish Assembly (6803-8030-263)

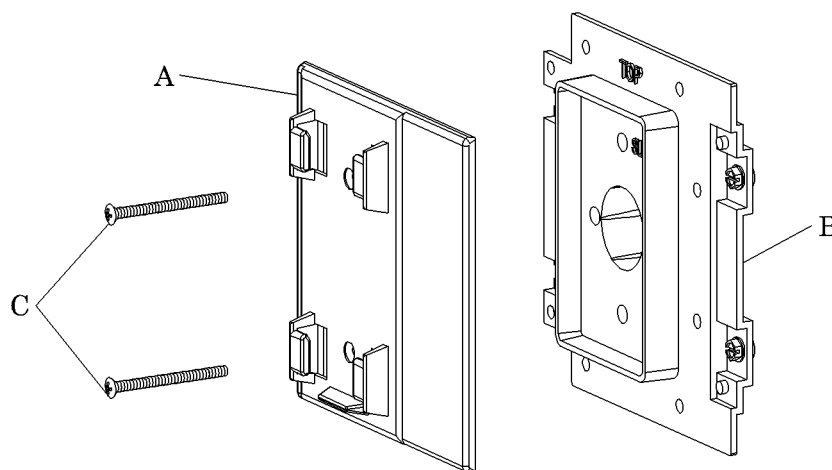
Recessed wall slide finish assembly requires rough-in assembly (6803-8030-269) to be installed and finished wall to be completed before installation.

1. Install recessed wall slide rough-in assembly (B) as you would install a medical gas wall outlet rough-in assembly.

NOTE:

Refer to *DiamondCare® Medical Gas Wall Outlet Rough-in Assembly Installation Instructions* (9100-1000-111) for complete instructions on installing wall slide rough-in assembly.

Recessed Wall Slide Assemblies



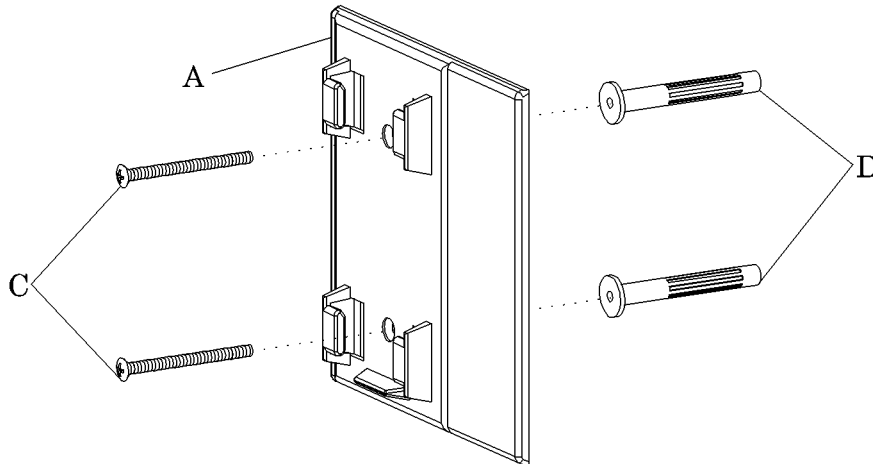
2. After finished wall is completed, install recessed wall slide finish assembly (A) on recessed wall slide rough-in assembly (B).
3. Install two screws (C) (provided) to secure finish assembly (A) to rough-in assembly (B).

Wall Mounted Slide Finish Assembly with Anchors (6803-8030-268)

Wall-mounted slide finish assembly mounts directly to wall and does not utilize a rough-in assembly for installation.

1. Use wall-mounted slide finish assembly (A) as a guide and mark two mounting holes on wall.

Wall Mounted Slide Finish Assembly with Anchors



2. Drill two 5/16" mounting holes into drywall.
3. Install two anchors (D) into holes and tighten screws (not shown) supplied with anchors (D).
4. Remove and discard screws supplied with anchors (D).
5. Install two screws (C) (provided) to secure wall-mounted slide finish assembly (A) to wall.