

**Rough-in Assembly**

Install recessed wall outlet electrical rough-in as you would install a wall outlet medical gas rough-in assembly. For complete instructions on installing medical gas rough-in assembly, refer to *DiamondCare® Medical Gas Wall Outlet Rough-in Assembly Installation Instructions* (9100-1000-111). If you have questions about these instructions, contact BeaconMedæS Technical Support at 888-4MEDGAS (463-3427).

**Duplex Receptacle, Switch, and Ground Fault Circuit Interrupter (GFCI) Outlet Finish Assemblies (Reference Figure 1):****NOTE:**

Applicable to following finish assemblies: Duplex Receptacle—675E01 (Ivory) or 675E02 (Red), Switch—675E03 (Toggle), 675E04 (Decora®) or 675E05 (Low Voltage), and GFCI outlet—675E07 (Ivory) or 675E08 (Red).

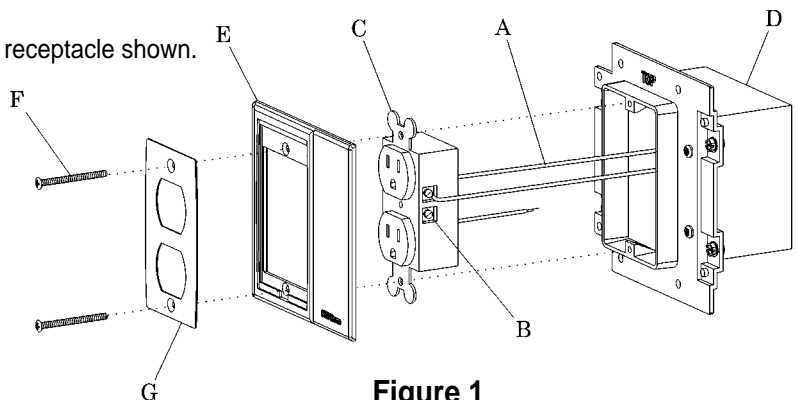
**SHOCK HAZARD:**

Turn circuit breaker to **OFF**. Failure to do so could result in personal injury or equipment damage.

1. Perform as follows:
  - a. Locate involved building standard/emergency circuit breaker panel.
  - b. Turn circuit breaker to **OFF** position.
  - c. Lock out and tag circuit breaker.
2. Connect wires (A) in proper terminals and tighten terminal screws (B).
3. Position device (C) into electrical accessories rough-in (D).
4. Install two screws (F) to secure faceplate (E), finish plate (G), and device (C) to electrical accessories rough-in (D).

**NOTE:**

Duplex receptacle shown.

**Figure 1**

5. Remove out-of-service tags, and turn circuit breaker **ON**.
6. Test device (C) for availability of power and polarity.

## Power Drop Finish Assembly (Reference Figure 2):

### NOTE:

Applicable to following terminals: 6803-8030-272 (Twist Lock) and 6803-8030-267 (Straight Blade).



### SHOCK HAZARD:

Turn circuit breaker to **OFF**. Failure to do so could result in personal injury or equipment damage.

1. Perform as follows:
  - a. Locate involved building standard/emergency circuit breaker panel.
  - b. Turn circuit breaker to **OFF** position.
  - c. Lock out and tag circuit breaker.
2. Install grommet (L) into hole of finish plate (M).
3. Slide cord (I) through grommet (L) and opening in faceplate (N).
4. Determine length of drop based on ceiling height of room.
5. Install cord through hole in mounting bracket (K).
6. Place strain relief (J) around cord approximately 1" higher than length of cord to be exposed in room.  
Example: Connector is to hang down 35" below finished ceiling. Upper side of strain relief should be installed at 36".
7. Cut excess cord off approximately 6" above strain relief to allow for connection to incoming electrical service.
8. Strip wires and connect to incoming electrical service.
9. Install screws (O) through finish plate (M), faceplate (N), mounting bracket (K) and secure to rough-in assembly.
10. Test device per current NEC and local codes.

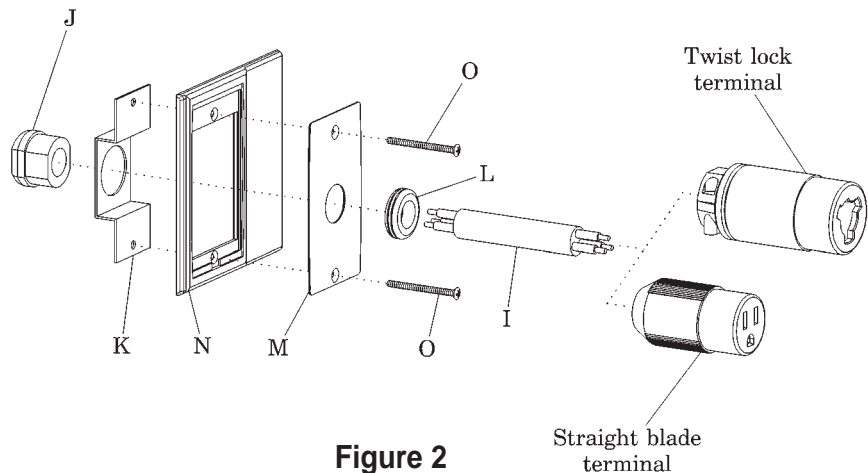


Figure 2

