

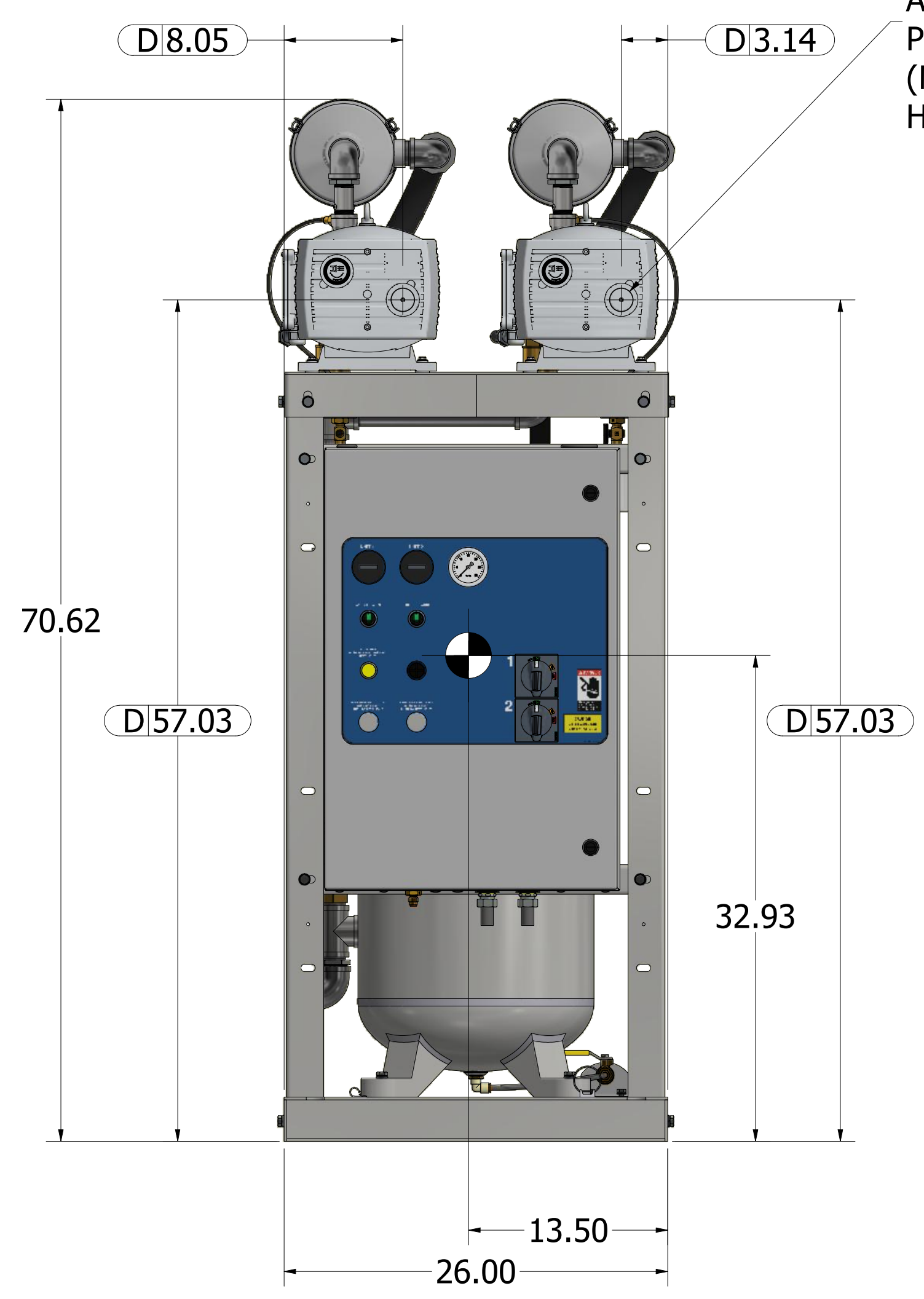
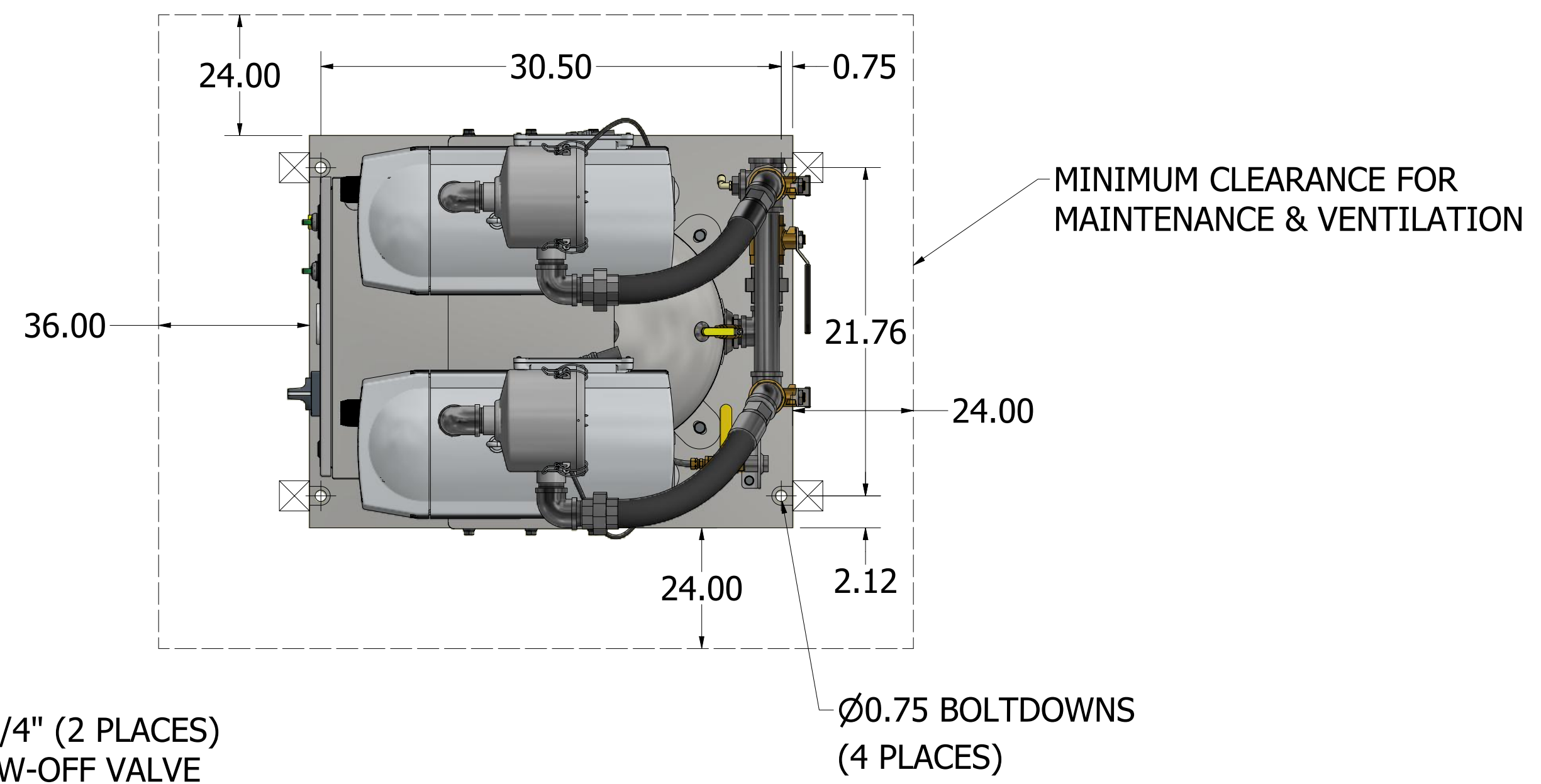


This drawing and the information contained thereon remain the property of BeaconMedaes and may not be used for other than the purpose for which it is loaned without the expressed written permission from BeaconMedaes Engineering.

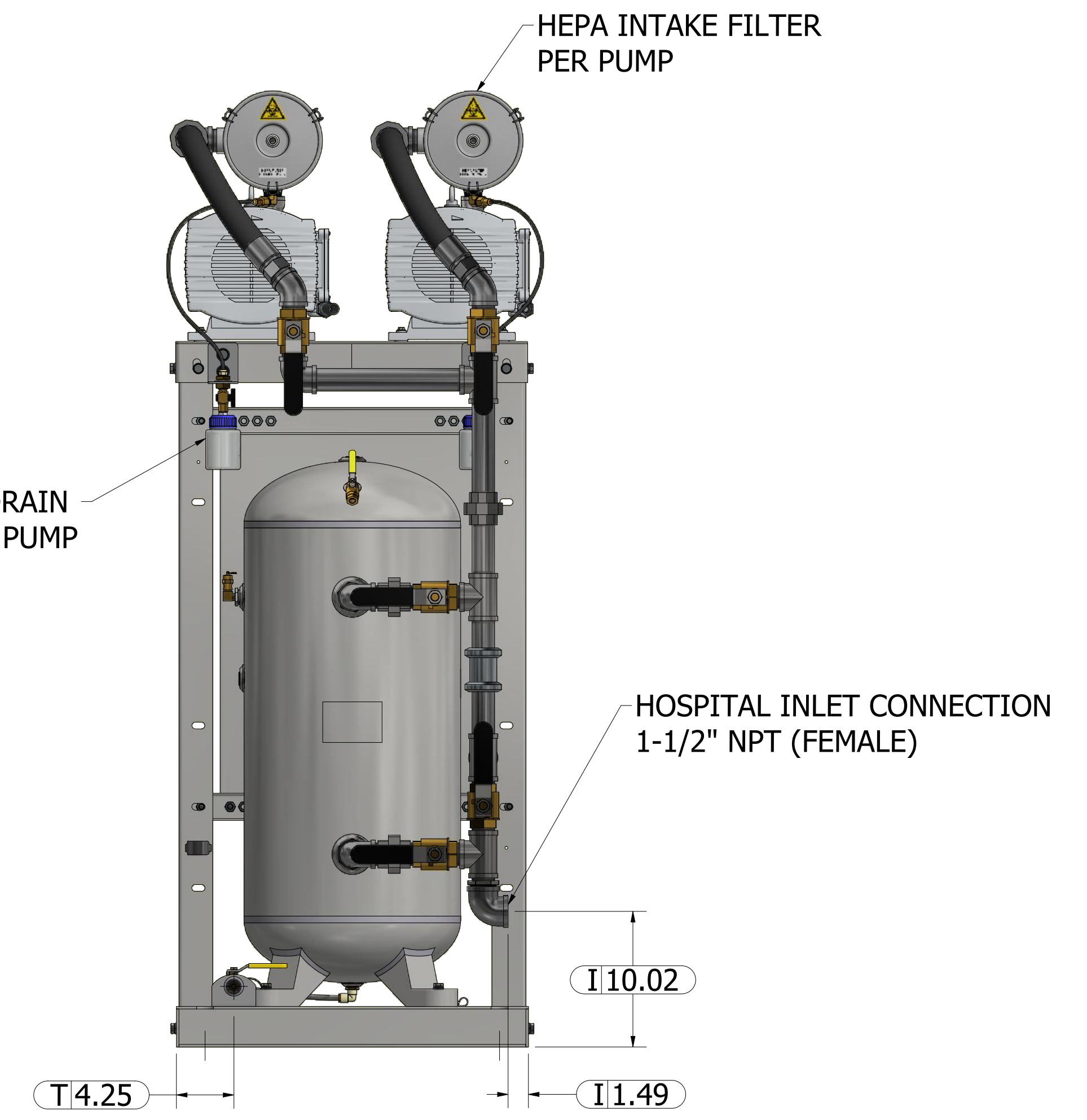
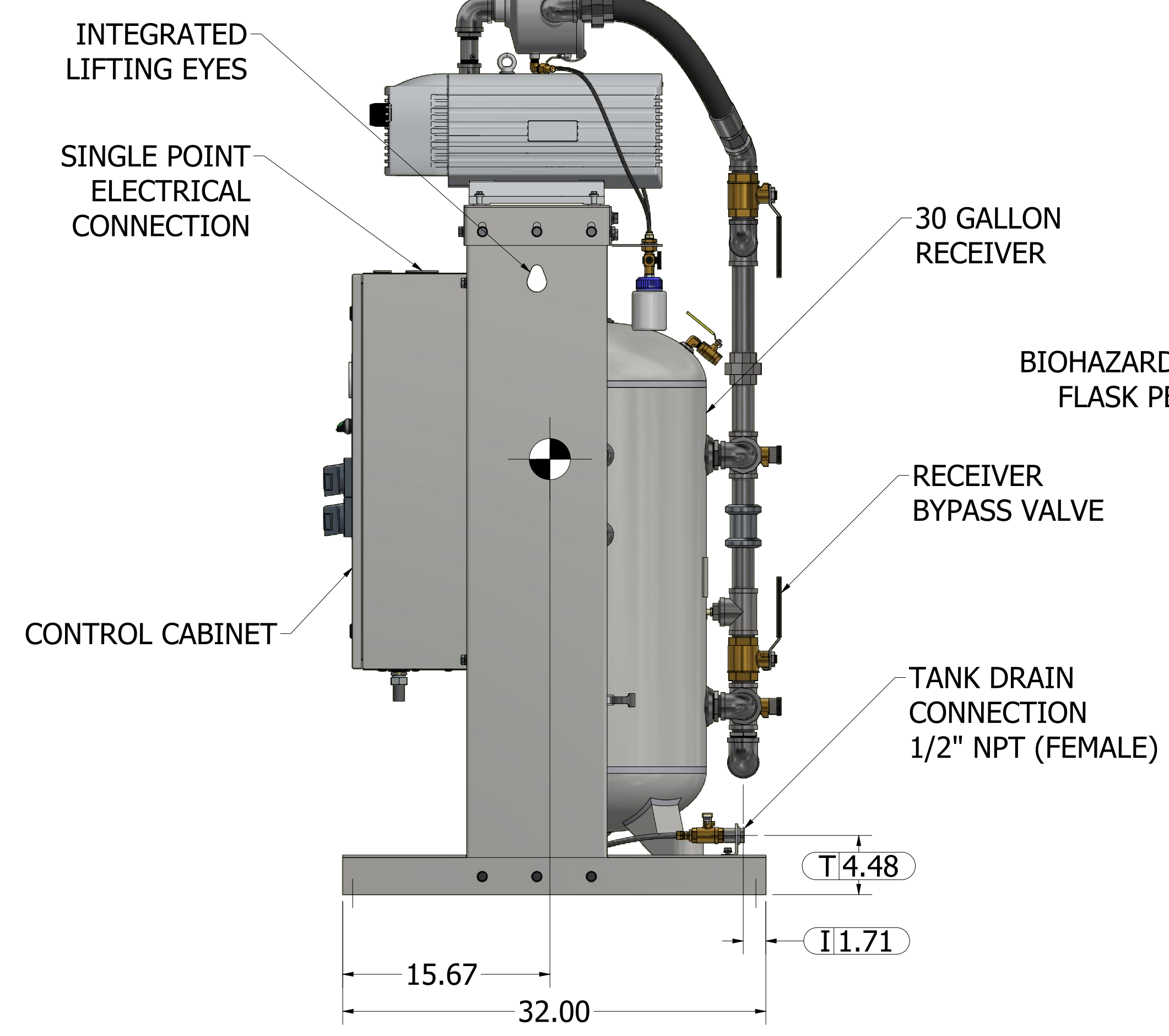
**Notes:**


1. SYSTEM WEIGHT: 544 LBS
2.  INDICATES LIFTING POINTS
3.  DENOTES CENTER OF GRAVITY

SYSTEM CONNECTIONS	
ID	DESCRIPTION
I	INLET LOCATION
D	DISCHARGE LOCATION
T	TANK DRAIN



EXHAUST G 3/4" (2 PLACES)  
REMOVE BLOW-OFF VALVE  
AND DISCARD. INSTALL  
PLASTIC PLUG FOR SHIPPING.  
(NOTE: DISCHARGE FLEX  
HOSES SHIPPED LOOSE)



INSPECTION CHECKLIST UNLESS OTHERWISE SPECIFIED:  ALL ITEMS MARKED BY ONE OF THE ABOVE SYMBOLS ARE TO BE INSPECTED EQUIPMENT TO BE USED DURING RECEIVING INSPECTION SHALL BE PER QUALITY SYSTEM PROCEDURES	Revised: _____ Date: _____ Drawn: BKW Date: 8/5/2022
	Description: <b>DWG GA DX 2HP DRY VTM V 30G BASIC BECKER</b>
	Part Number: 4107 8579 79 DN: HOP220451 Rev: 00 Sheet 1 of 1 DO NOT SCALE THIS DOCUMENT