

This drawing and the information contained thereon remain the property of BeaconMedas and may not be used for other than the purpose for which it is loaned without the expressed written permission from BeaconMedas Engineering.

NOTES:

1. MAIN DISCONNECT PROVIDED BY OTHER.
2. FIELD WIRING TO BE COPPER RATED FOR 75°C MINIMUM
3. - - - - INDICATED FIELD WIRING OUTSIDE OF BOX.
4. THE AMPACITY OF CONDUCTORS SUPPLYING THE CONTROL PANEL TO BE ROUNDED UP TO THE NEXT SIZE LARGER STANDARD WIRE GAUGE.
5. SHORT CIRCUIT CURRENT RATING (SCCR): 65 kA

MINIMUM CIRCUIT AMPACITY (MCA)

| SYSTEM HP | 208 V | 230 V | 380 V | 460 V |
|-----------|-----------|----------|----------|----------|
| 1.5 HP | 9.1 AMPS | 8.3 AMPS | 4.8 AMPS | 4.3 AMPS |
| 2 HP | 10.3 AMPS | 9.3 AMPS | 6.0 AMPS | 4.8 AMPS |

MAXIMUM OVERCURRENT PROTECTION (MOP)

| SYSTEM HP | 208 V | 230 V | 380 V | 460 V |
|-----------|-----------|-----------|----------|----------|
| 1.5 HP | 14.9 AMPS | 13.5 AMPS | 7.4 AMPS | 6.8 AMPS |
| 2 HP | 16.9 AMPS | 15.3 AMPS | 9.7 AMPS | 7.7 AMPS |

SYSTEM FULL LOAD AMPERES

| SYSTEM HP | 208 V | 230 V | 380V/50Hz | 460 V |
|-----------|----------|----------|-----------|----------|
| 1.5 HP | 5.9 AMPS | 5.6 AMPS | 3.6 AMPS | 3.1 AMPS |
| 2 HP | 7.8 AMPS | 7.1 AMPS | 3.8 AMPS | 3.7 AMPS |

INDIVIDUAL FULL LOAD AMPERES

| SYSTEM HP | 208 V | 230 V | 380V/50Hz | 460 V |
|-----------|----------|----------|-----------|----------|
| 1.5 HP | 5.2 AMPS | 5.0 AMPS | 3.1 AMPS | 2.7 AMPS |
| 2 HP | 7.1 AMPS | 6.5 AMPS | 3.3 AMPS | 3.3 AMPS |

FUSE SELECTION CHART (MAX FUSE SIZES SHOWN)

| SYSTEM HP | FUSES | 208 V | 230 V | 380 V | 460 V |
|-----------|-------|-------|-------|-------|-------|
| ALL | F1/F2 | 6 AMP | 6 AMP | 6 AMP | 6 AMP |
| | F3 | --- | --- | 6 AMP | 6 AMP |

F1-F3 ARE LITTELFUSE KLDR 600V TYPE

VACUUM SWITCH SETTINGS

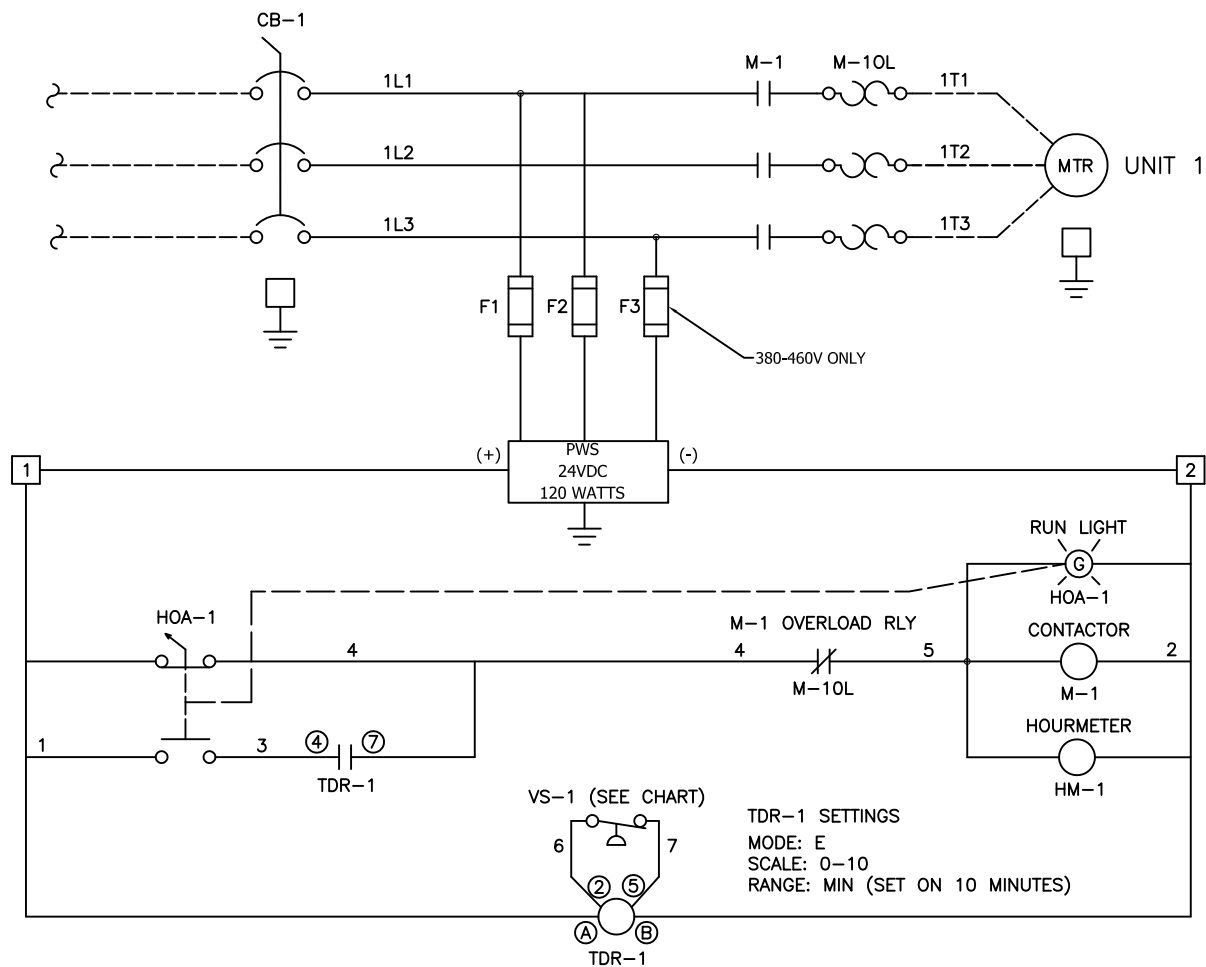
| ALTITUDE | VS-1 | RELIEF VALVE SETTING |
|-------------|-----------------|----------------------|
| 0'-1000' | 19-23"hg | 25"hg |
| 1001'-2000' | 18-22"hg | 24"hg |
| 2001'-3000' | 17-21"hg | 23"hg |
| 3001'-4000' | 16-20"hg | 22"hg |
| >4000' | CONSULT FACTORY | |

OPERATION:

DURING NORMAL OPERATION THE HOA SWITCH SHOULD BE IN THE AUTO POSITION. THE TIMER DETERMINES THE MINIMUM RUNNING TIME OF A PUMP. AFTER VS-1 OPENS AND THE MINIMUM RUN TIMER HAS EXPIRED, THE PUMP WILL TURN OFF.

HAND OPERATION; (EMERGENCY/TROUBLE SHOOTING MODE ONLY)

WITH HOA SWITCH IN THE HAND POSITION PUMP WILL START AND RUN CONTINUOUSLY.



| | | | | | |
|---|-------|--|-----|---|------------|
| Revised: | Date: | Drawn: | MOB | Date: | 10/30/2011 |
| INSPECTION CHECKLIST UNLESS OTHERWISE SPECIFIED: | | | | <small>This drawing and the information contained thereon remain the property of BeaconMedas and may not be used for other than the purpose for which it is loaned without the expressed written permission from BeaconMedas Engineering.</small> | |
| <small>ALL ITEMS MARKED BY ONE OF THE ABOVE SYMBOLS ARE TO BE INSPECTED</small> | | <small>EQUIPMENT TO BE USED DURING RECEIVING INSPECTION SHALL BE PER QUALITY SYSTEM PROCEDURES</small> | | <small>Scale: NTS</small> | |
| Description: | | Part Number: | | Rev: | |
| DWG WIRING CONTROL DRY SX DOL 1.5-2HP | | 4107 8568 38 | | 00 | |
| 208-460V BASIC PLC, 65kA | | HOP 180863 | | 00 | |
| Sheet 1 of 1 | | DO NOT SCALE THIS DOCUMENT | | | |