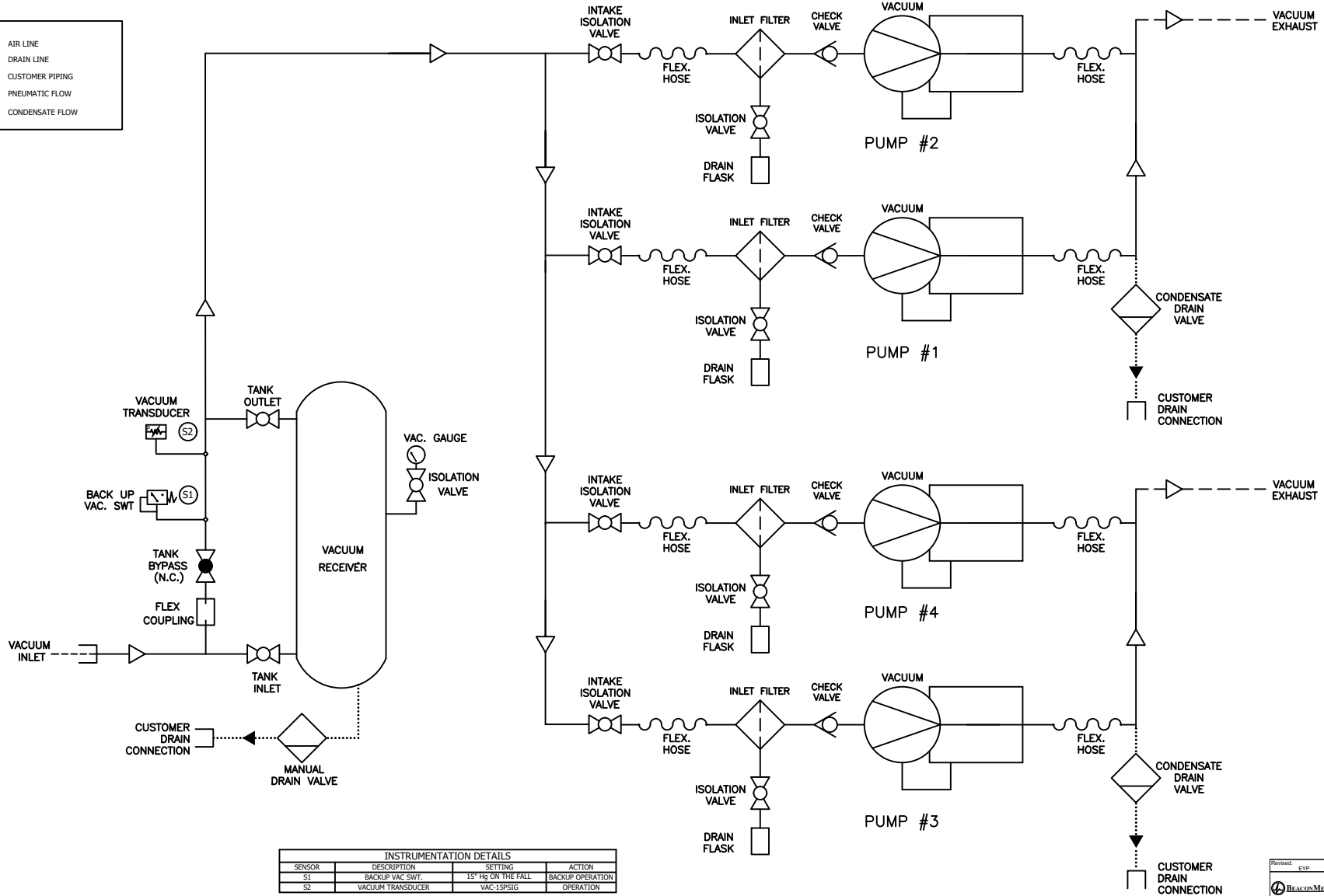
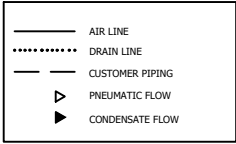


This drawing and the information contained therein remain the property of BeaconMedics and may not be used for other than the purpose for which it is loaned without the expressed written permission from BeaconMedics Engineering.



INSTRUMENTATION DETAILS			
SENSOR	DESCRIPTION	SETTING	ACTION
S1	BACKUP VAC. SWT.	15" Hg ON THE FALL	BACKUP OPERATION
S2	VACUUM TRANSDUCER	VAC-15PSIG	OPERATION

Revised: EYP	Date: 03/15/2021	Drawn: JCL	Date: 07/20/19
		<small>This drawing and the information contained therein remain the property of BeaconMedics and may not be used for other than the purpose for which it is loaned without the expressed written permission from BeaconMedics Engineering.</small>	
Description: PNEUMATIC DIAGRAM QX		Part Number: 4107 8554 42	
7.5-10HP DRY SPC V 200G TAE		DN: HOP220060	Rev: 02
Sheet 1 of 1		DO NOT SCALE THIS DOCUMENT	