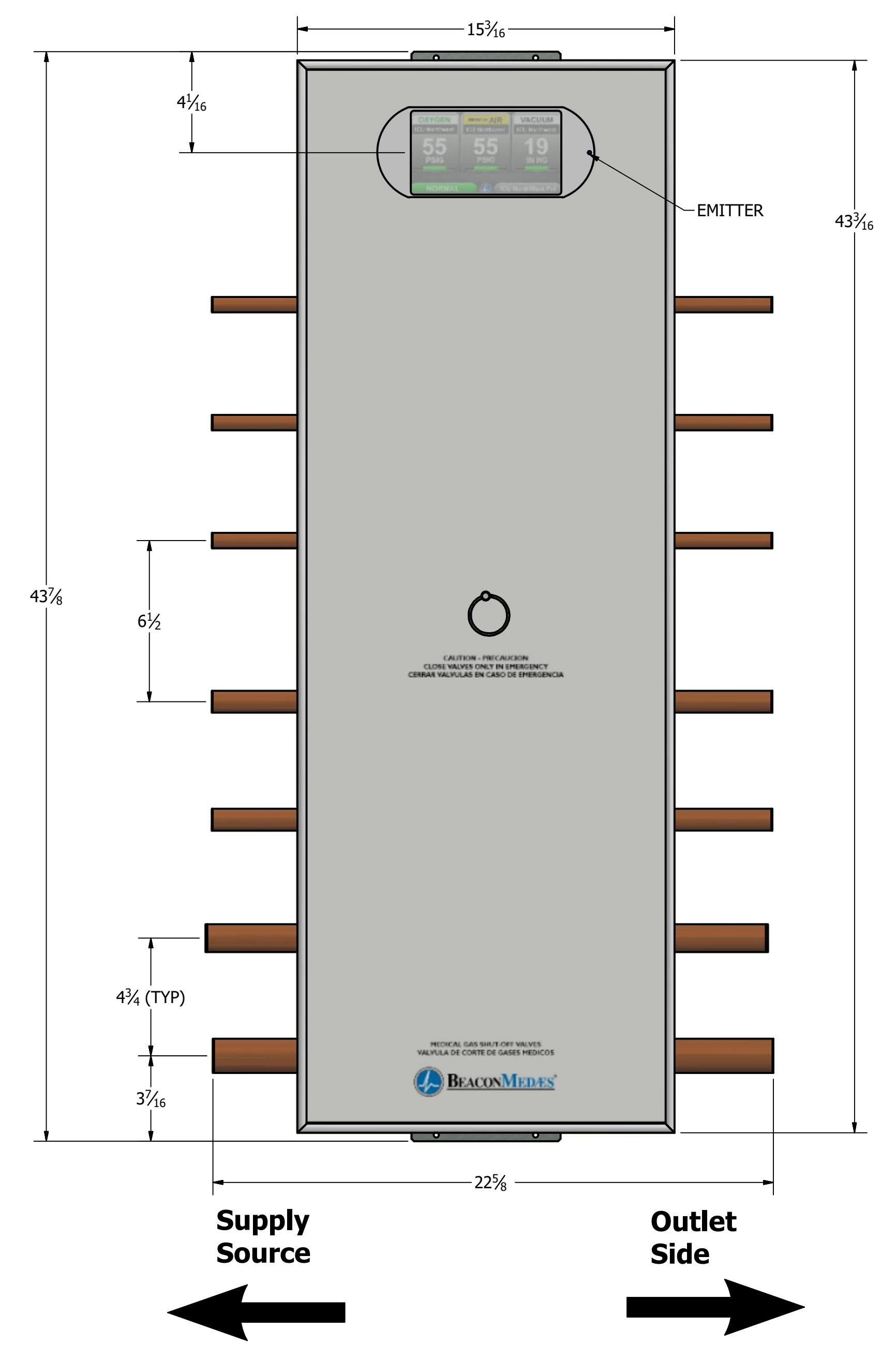
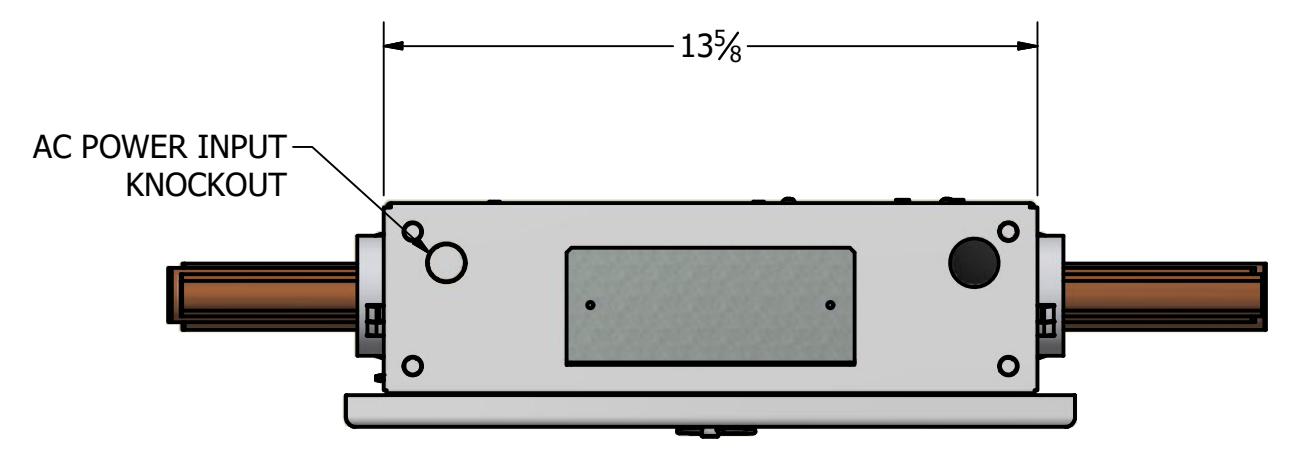
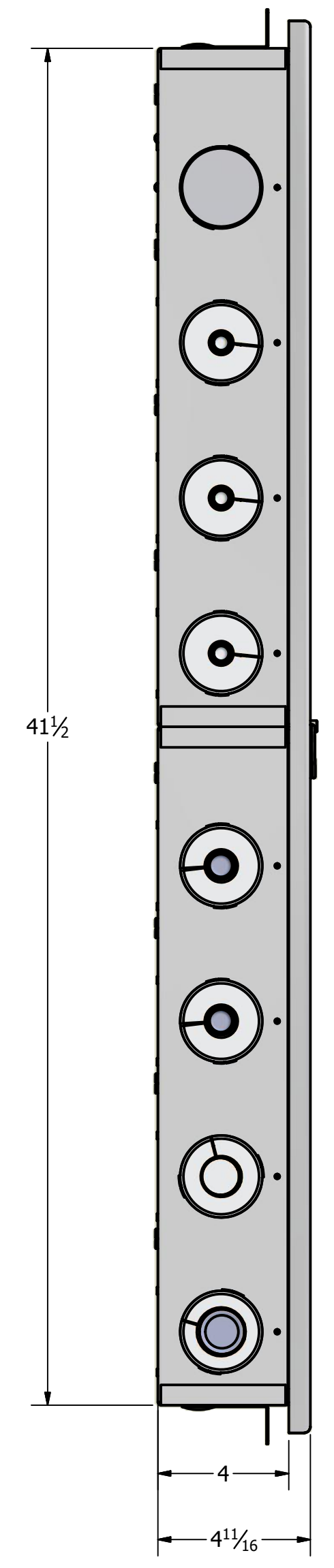
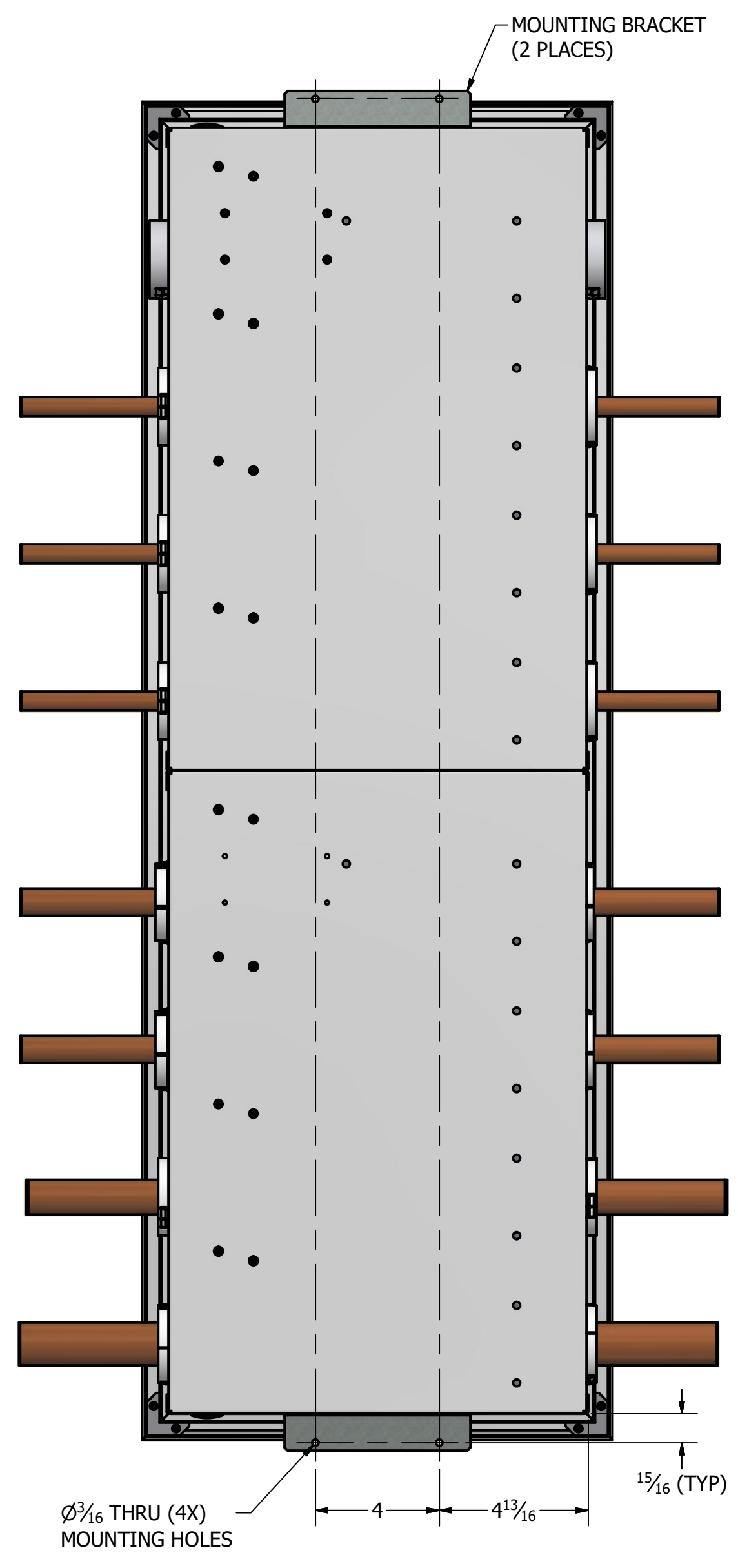


This drawing and the information contained thereon remain the property of BeaconMedes and may not be used for other than the purpose for which it is loaned without the expressed written permission from BeaconMedes Engineering.

- NOTES:**
1. ALL PIPING SHALL BE INSTALLED AND TESTED IN ACCORDANCE WITH ALL STATE AND LOCAL CODES OR ORDINANCES (NFPA 99, CSA-Z7396.1, OR AS 2896).
 2. SECURE BOX MOUNTING BRACKETS TO WALL STRUCTURAL FRAME. POSITION BOX SO FRONT EDGE IS FLUSH WITH FINISHED WALL SURFACE.
 3. 50PIN RIBBON CABLE INITIALIZES STARTUP ON THE ALARM. ONLY QUALIFIED PERSONEL SHOULD CONNECT INPUT POWER.



INSPECTION CHECKLIST UNLESS OTHERWISE SPECIFIED: ALL ITEMS MARKED BY ONE OF THE ABOVE SYMBOLS ARE TO BE INSPECTED EQUIPMENT TO BE USED DURING RECEIVING INSPECTION SHALL BE PER QUALITY SYSTEM PROCEDURES	Revised:	Date:	Drawn: TRL	Date: 9/23/2020
	UNLESS OTHERWISE SPECIFIED ALL DIMENSIONS ARE IN INCHES AND TOLERANCES ARE: XX ±.02 XXX ±.005		Scale: 1/3 	
Description: GENERAL ASSEMBLY, SEVEN ALARM ZONE VALVE BOX		Drawing Number: 4107 8573 81		Rev: 00
Sheet 1 of 1		DO NOT SCALE THIS DOCUMENT		