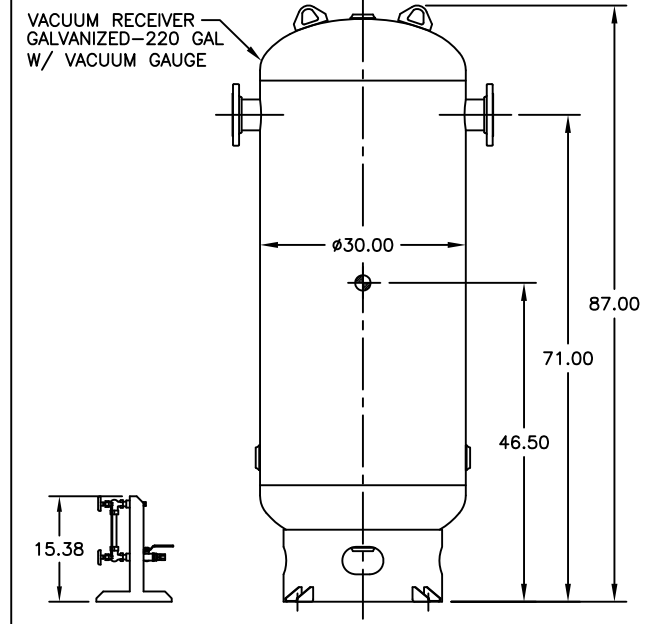
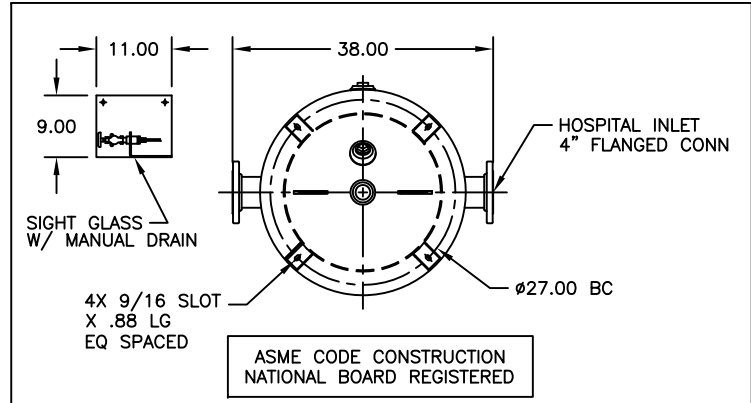
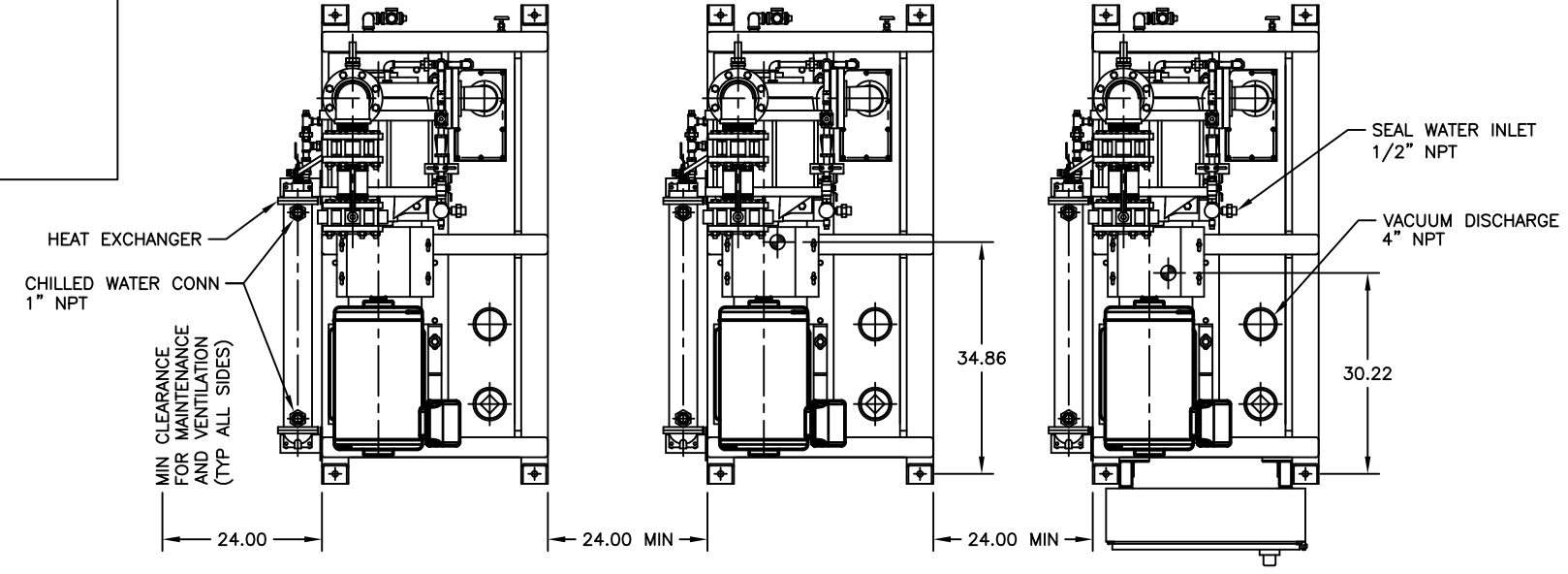
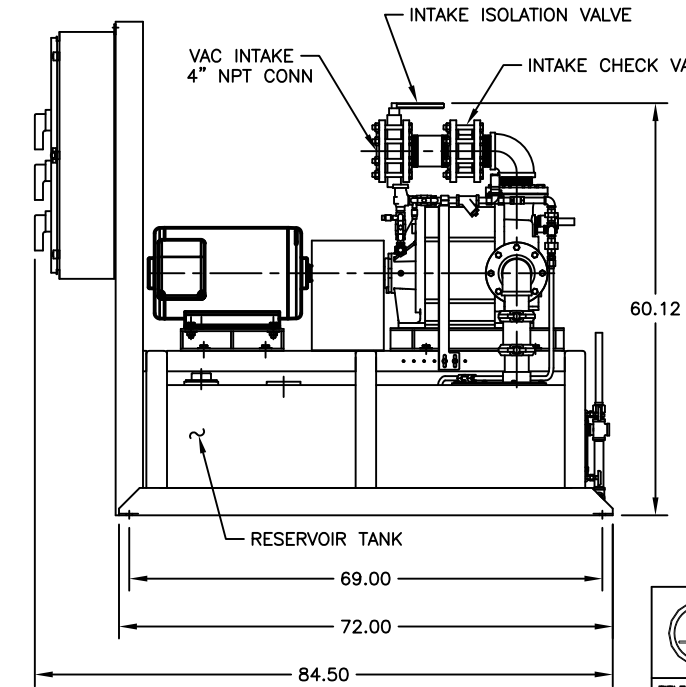
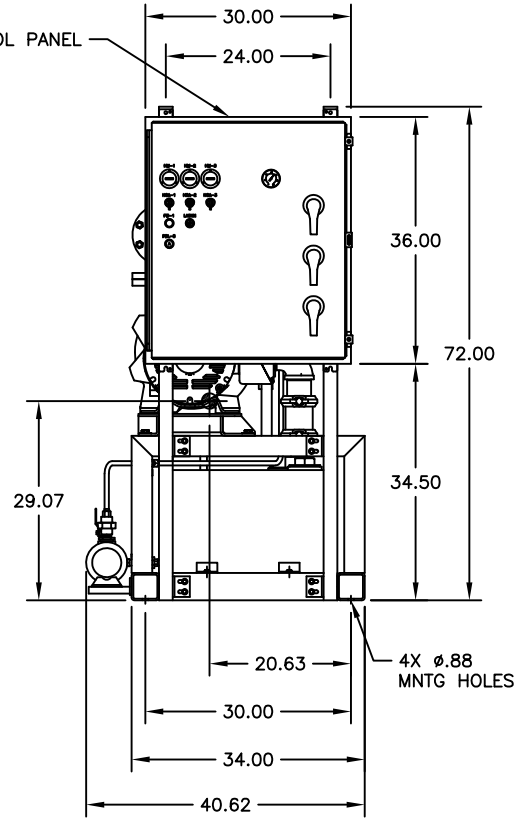
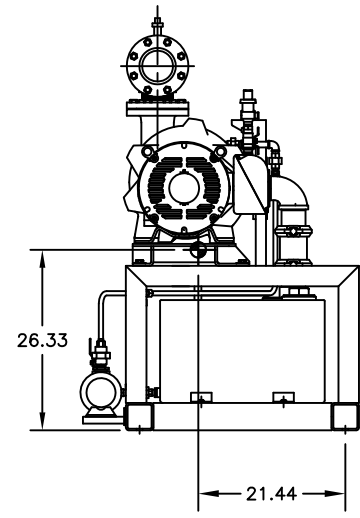
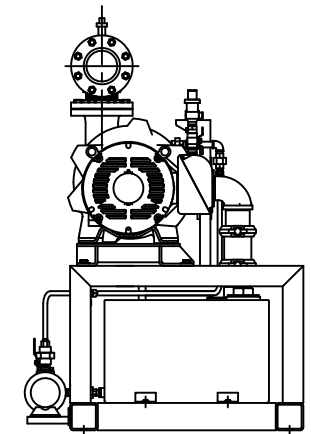
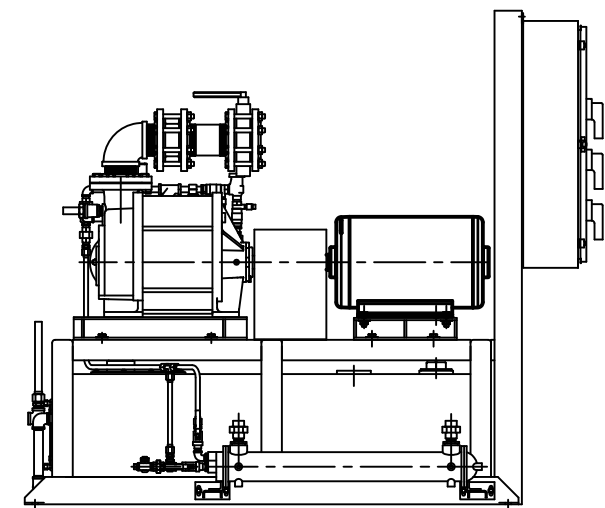


REAR VIEW
3 PLACES

MODEL NUMBER	UNIT (HP)	PUMP MODEL	RECEIVER (GALLONS)	WEIGHT (lbs.)		
				SIMPLEX MODULE	SIMPLEX MODULE WITH CONTROL PANEL	RECEIVER MODULE
LVS-30T-RC220V	30	GL-100	220	1907	2175	565



VACUUM RECEIVER DETAIL
ALL RECEIVER PIPING AND BYPASS VALVING BY CONTRACTOR



NOTE:

1. FLEX HOSES ARE SHIPPED LOOSE.
2. ALL WIRING AND INTAKE MANIFOLD BETWEEN MODULES SUPPLIED BY OTHERS.
3. INDICATES CENTER OF GRAVITY.

BEACONMEDAS

TITLE:
LL TPX CAMEL TYPE 2 VACUUM SYSTEM
GENERAL ASSEMBLY - GL-100/30HP

DRAWN BY: T. FELLER	DATE: 08/29/05	This drawing and the information contained therein remain the property of BeaconMedas and may not be used for other than the purpose for which it is loaned without the expressed written permission from BeaconMedas Engineering.
CHECKED BY:	DATE:	
REVISED BY: B.M.	DATE: 11/11/10	
SCALE: 1/14	D	

DIA 24 232 REV. C