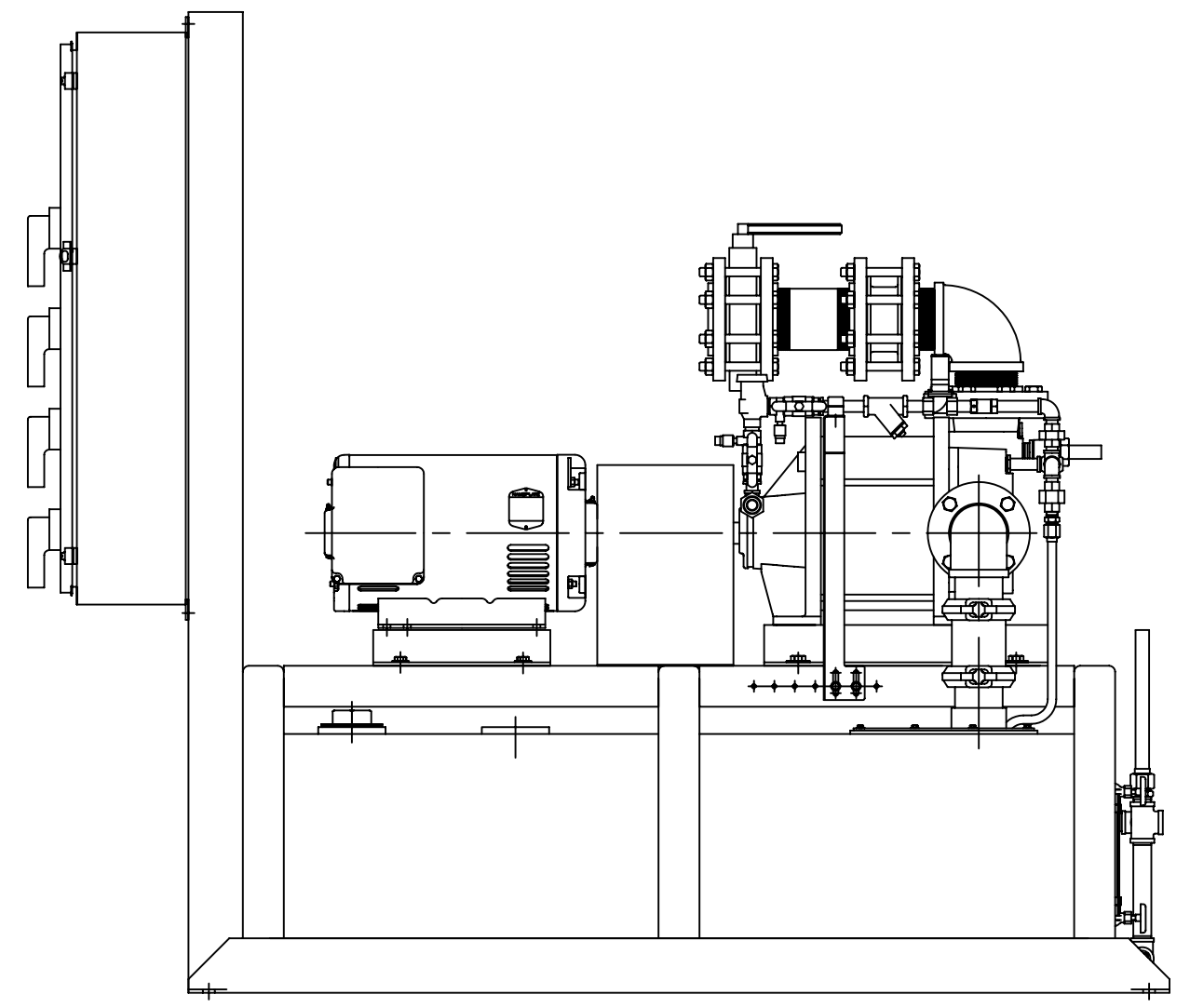
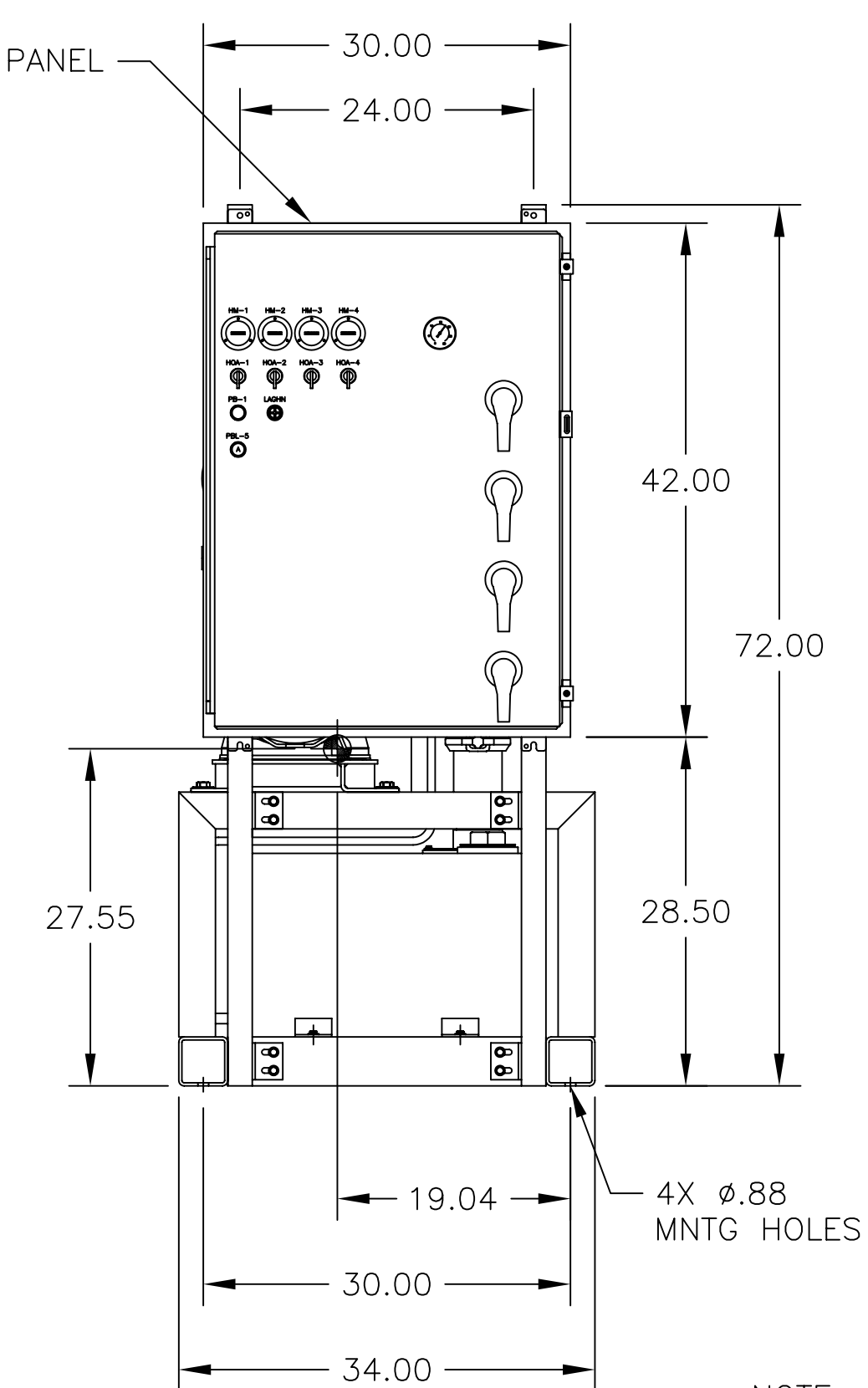
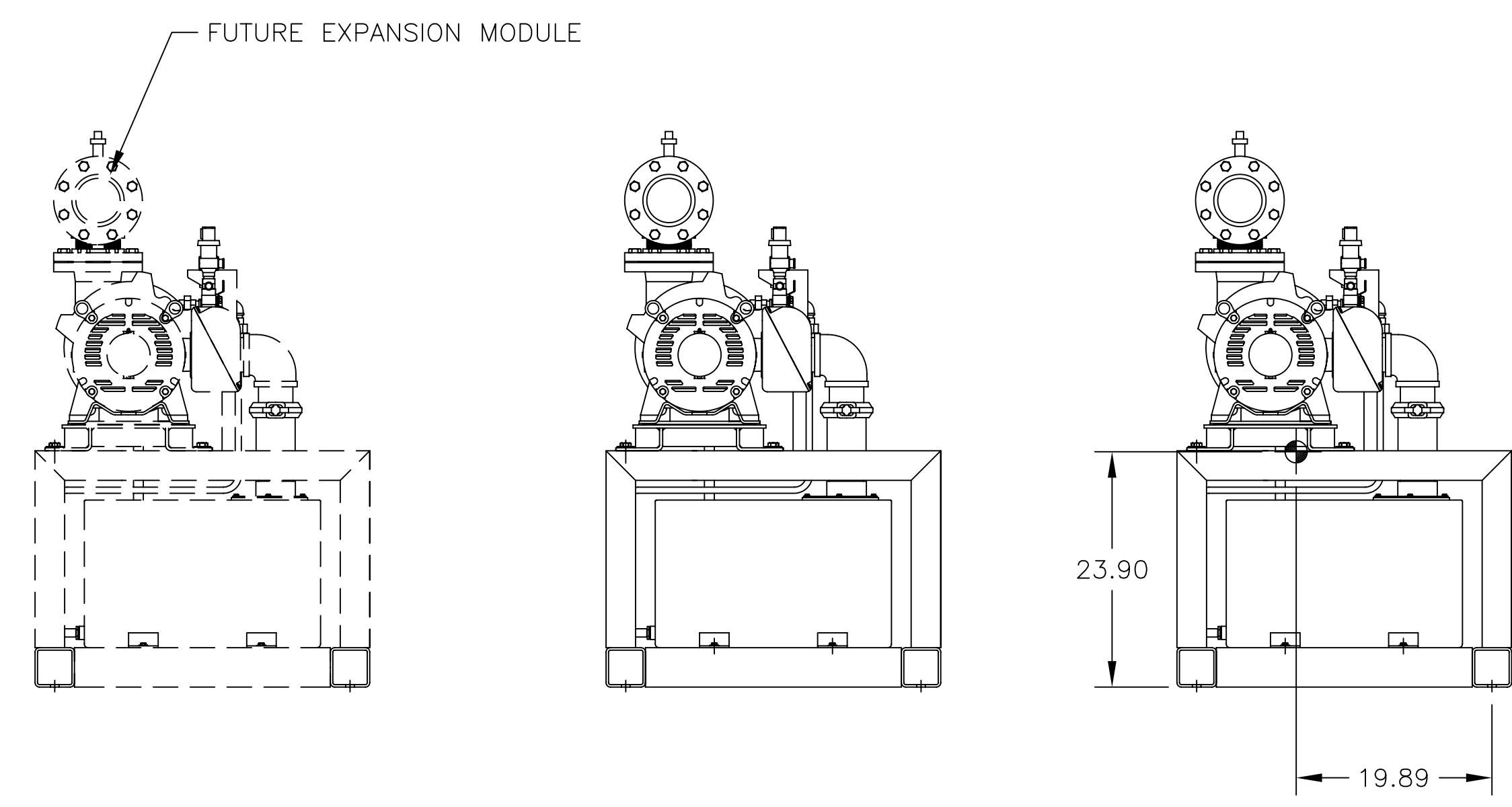
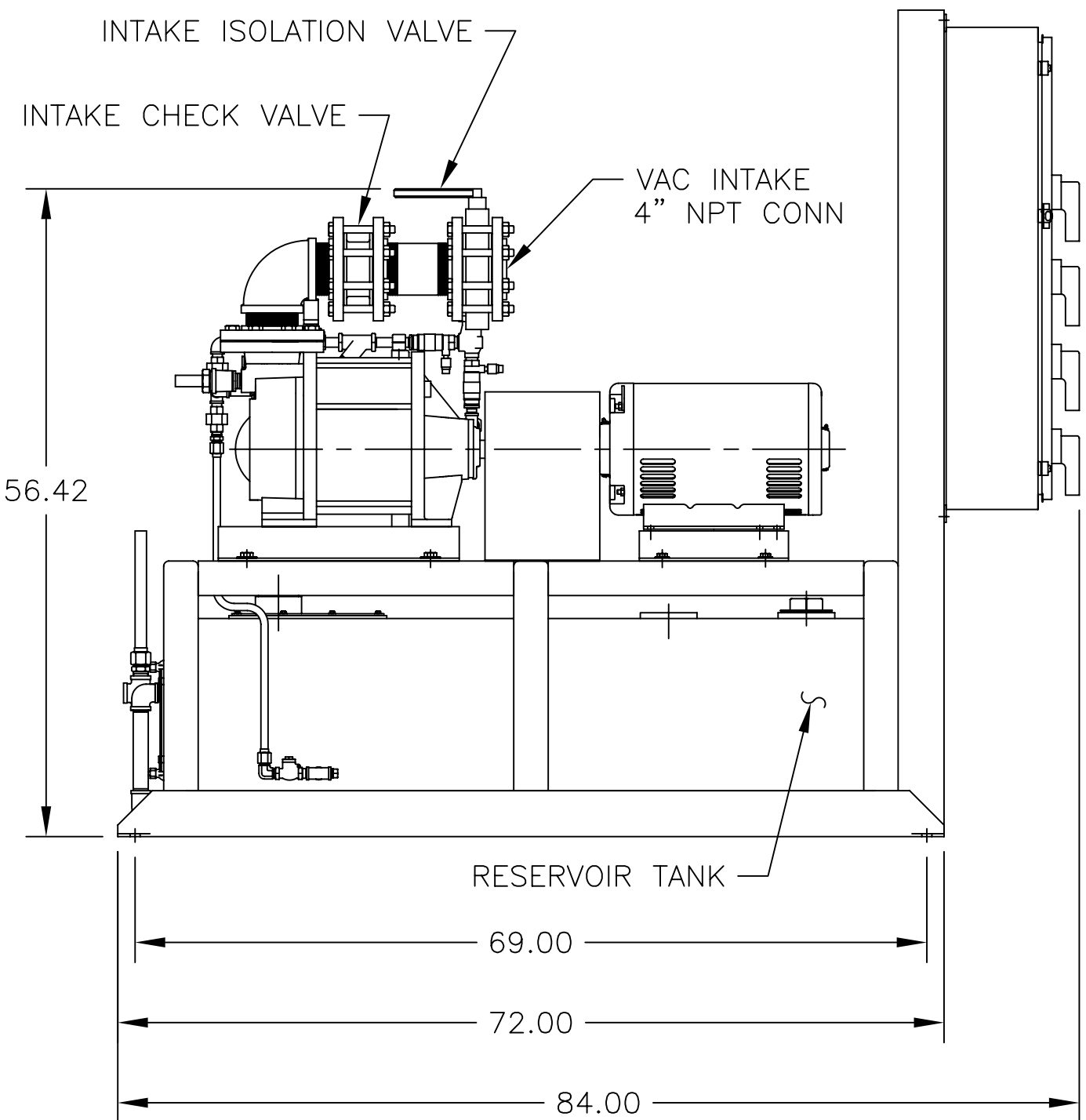
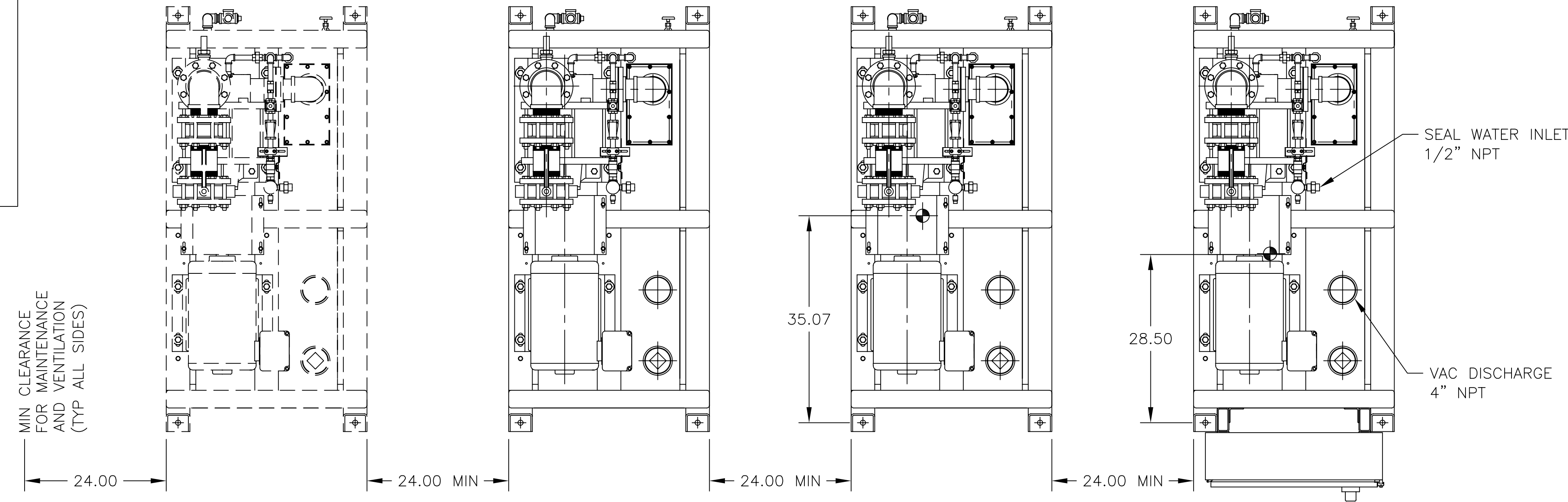
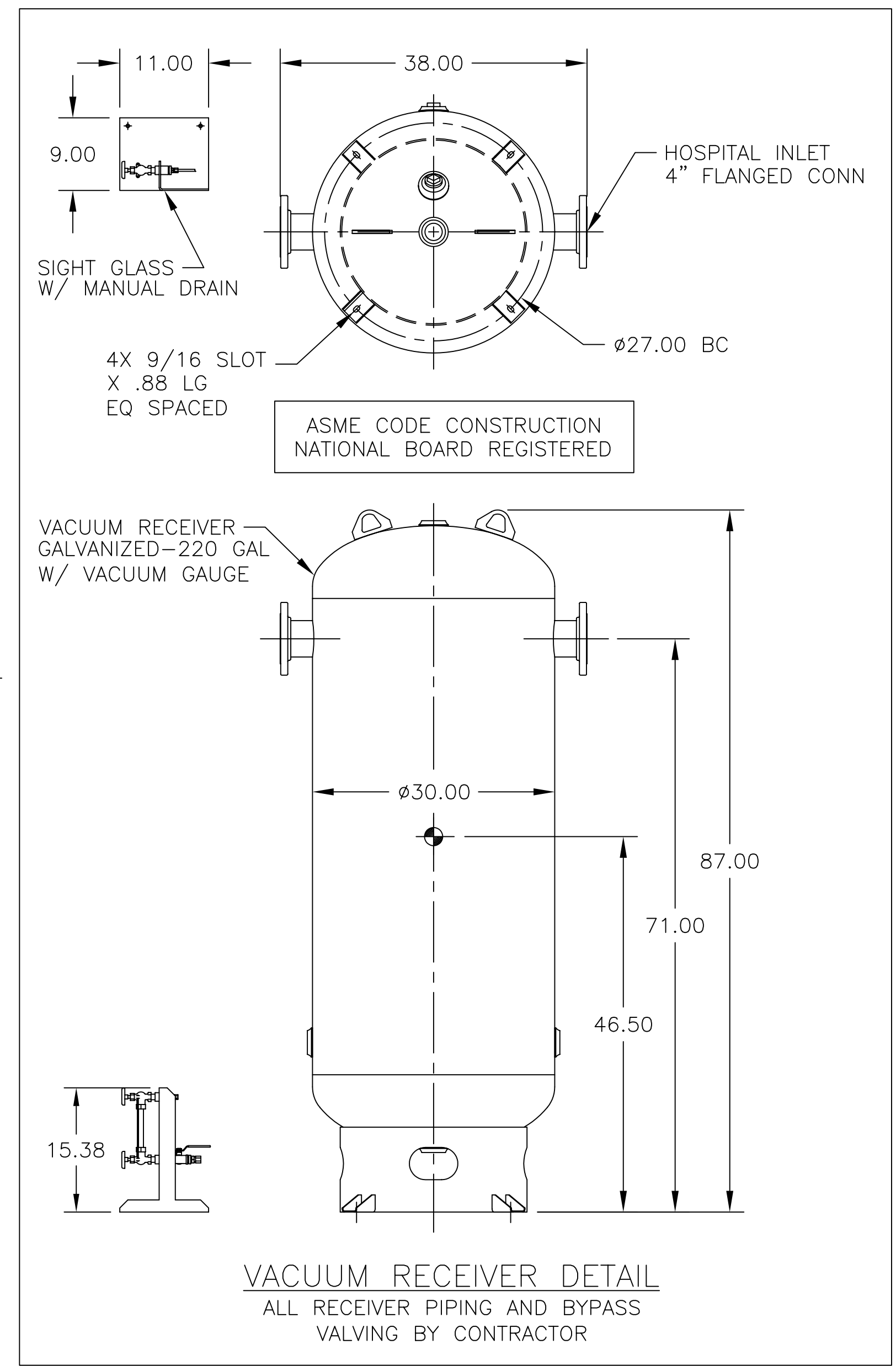


MODEL NUMBER	UNIT (HP)	PUMP MODEL	RECEIVER (GALLONS)	WEIGHT (lbs.)		
				SIMPLEX MODULE	SIMPLEX MODULE WITH CONTROL PANEL	RECEIVER MODULE
LVS-15T-RC220V-Q	15	GL-60	220	1483	1783	565



EXPANSION MODULE REMOVED FOR CLARITY

- NOTE:
1. FLEX HOSES ARE SHIPPED LOOSE.
 2. ALL WIRING AND INTAKE MANIFOLD BETWEEN MODULES SUPPLIED BY OTHERS.
 3. INDICATES CENTER OF GRAVITY.

BEACONMEDÆS

TITLE:
LL TPX-EXP-QPX CAMEL TYPE 2 VAC SYS
GENERAL ASSEMBLY - GL-60/15HP

DRAWN BY: T. FELLER	DATE: 12/20/05	This drawing and the information contained thereon remain the property of BeaconMedæS and may not be used for other than the purpose for which it is loaned without the expressed written permission from BeaconMedæS Engineering.
CHECKED BY: T. CONNER	DATE: 12/20/05	
REVISED BY: T. FELLER	DATE: 01/30/08	DRAWING NO. DIA 24 216X
SCALE: 1/14	D	REV. B