

Note X:
 - Dimension drawing standardized
 - Air inlet flange details added
 - Mk-IV Elektronikon changed to Mk5

Approx. Mass ±110 (LBS)		Center of gravity ±2 (inch)	
Type	Pack	Dim.	Pack
ZT30	2648	W	20.4
ZT37	2758	L	38.7
ZT45	2842	H	28.2


All materials supplied are in compliance with the requirements of the List of Prohibited Substances

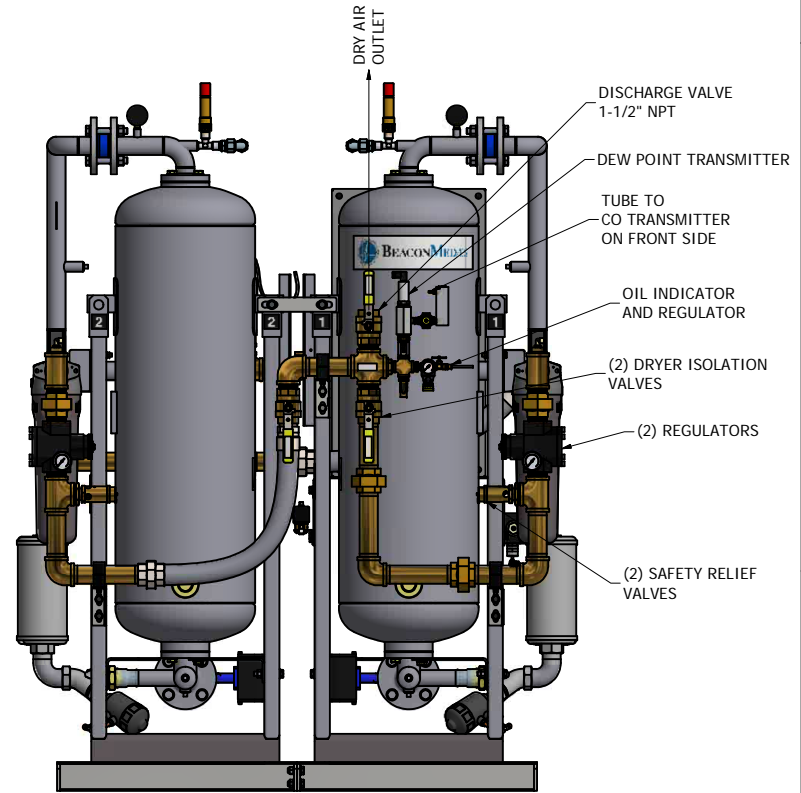
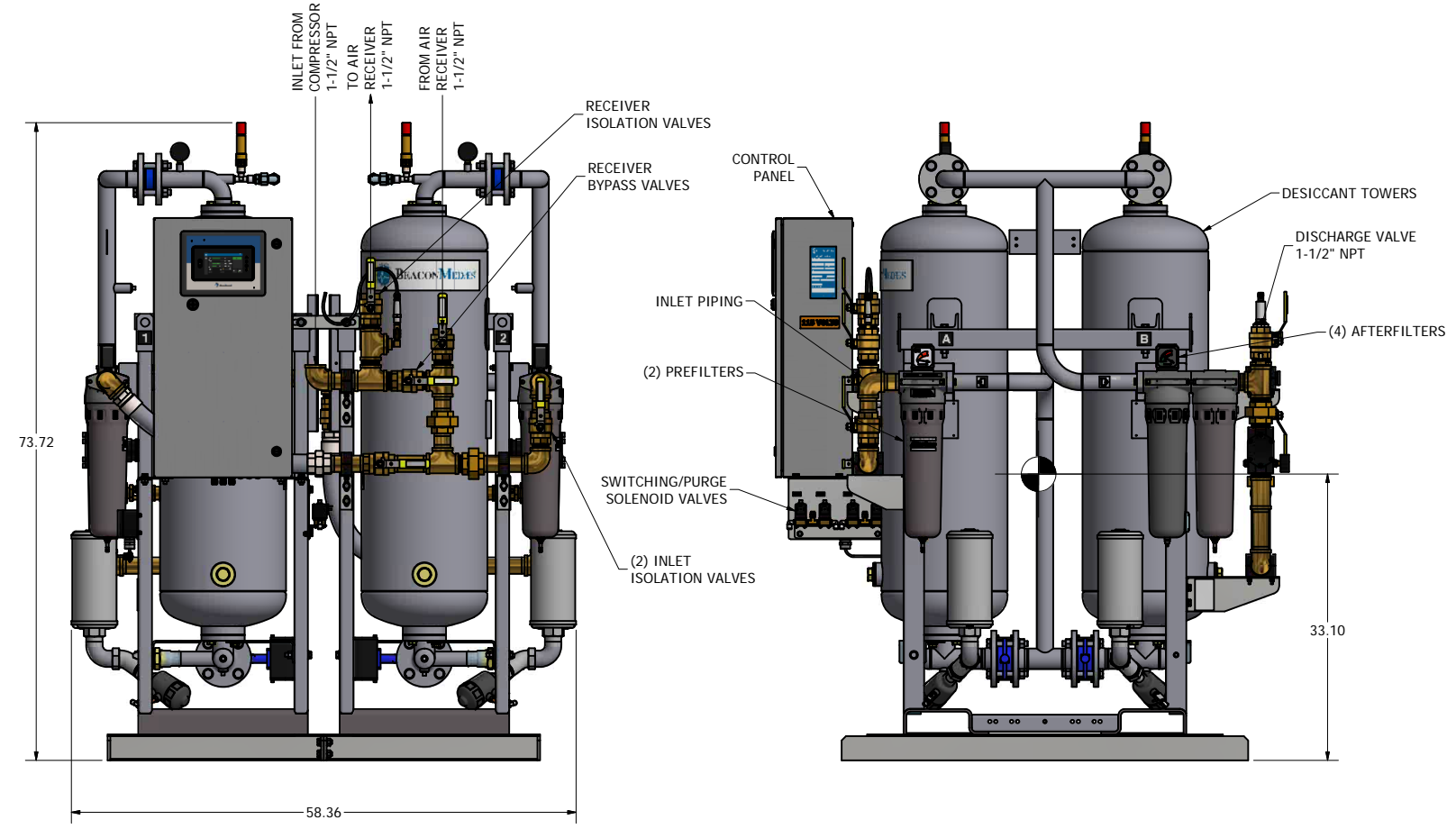
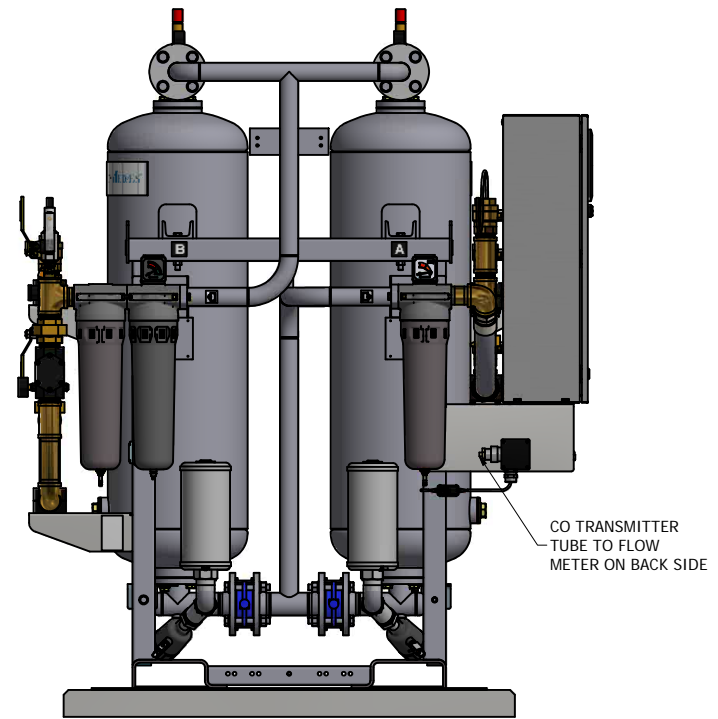
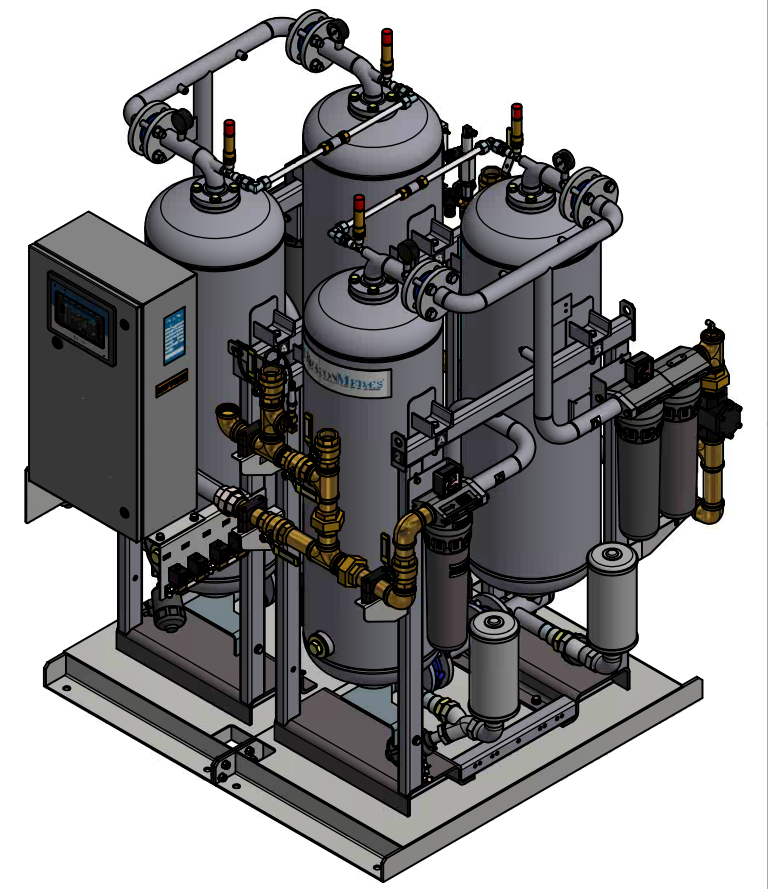
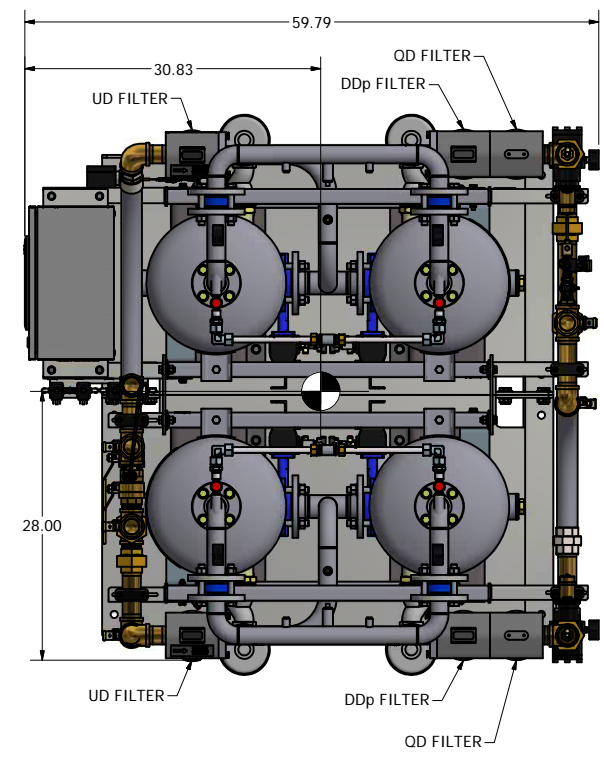
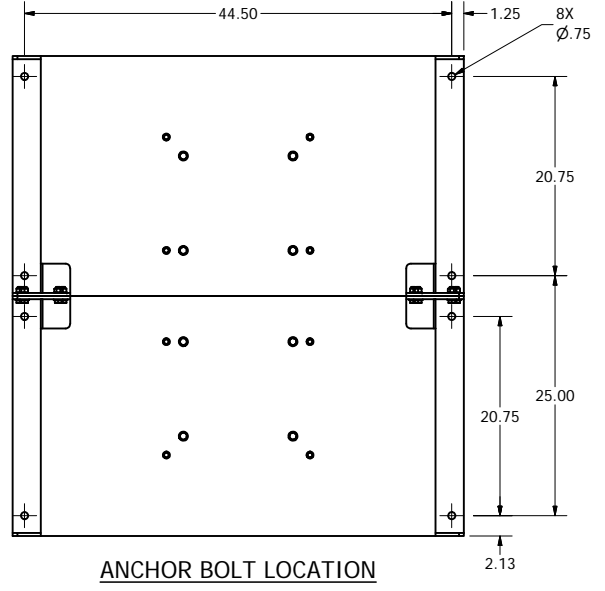
Note:
 * With full open door


9820576800
 Parent 3D model Ed. Version 3D

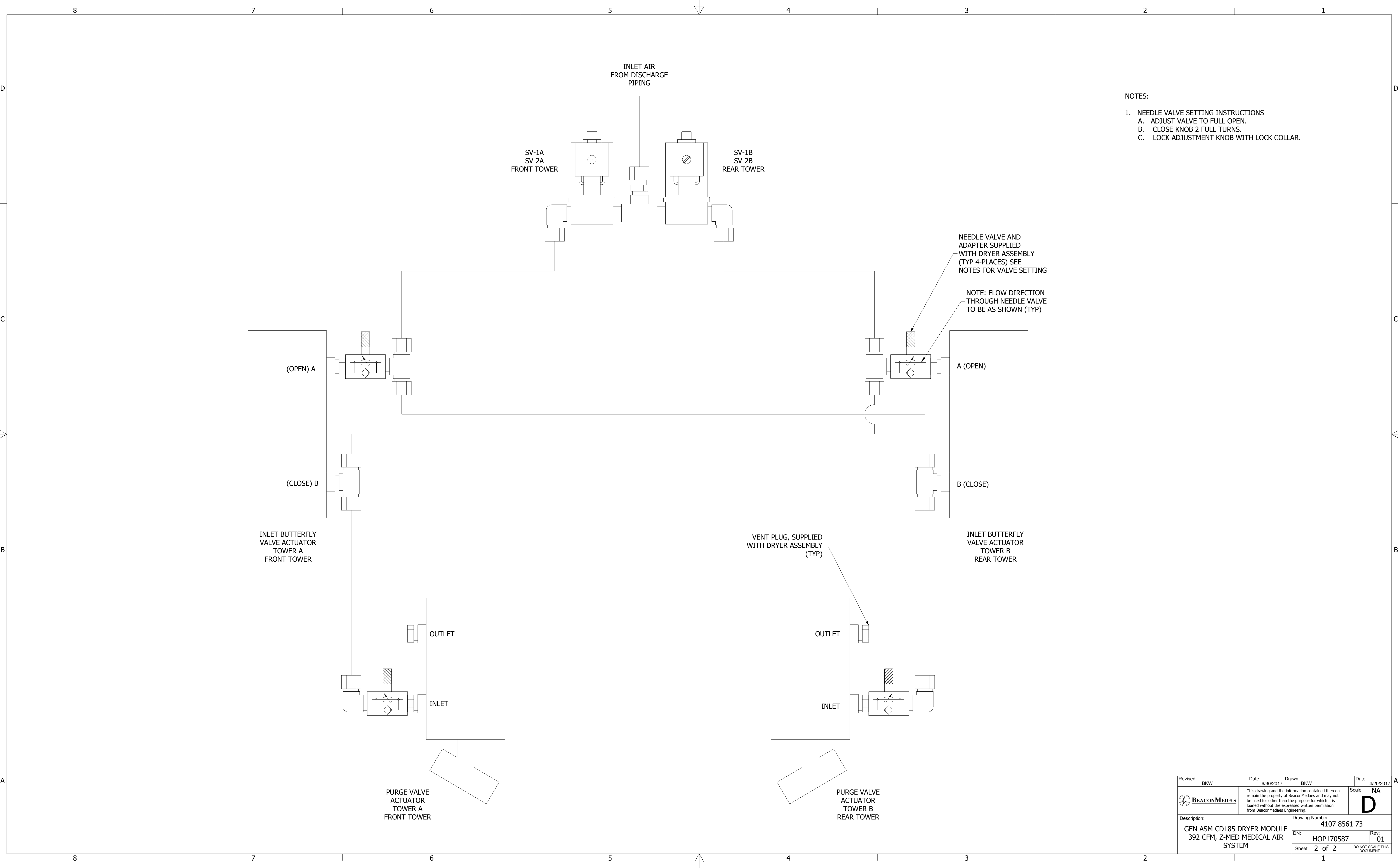
Tolerances, if not indicated, according to:		ATLAS COPCO STANDARD CLASS	
Name	DIMENS.	ZT30-45 MED	Secrecy Class
Material	NOT APPLICABLE		112/K 3
Treatment	Not Applicable		INV
Scale	1:10	Family	A/Compare
Drawn by	sraman	Blank nr.	Replaces
Version Dwg	02.13	Blank wt.	0 kg
Des checked.	Prod checked.	Approved.	Date
9820576800		2008.01.09	
Approved		9820576800	

Notes:

1. ALLOW A MINIMUM OF (2) FEET ON ALL SIDES OF DRYER PACKAGE FOR PROPER VENTILATION AND MAINTENANCE.
2. BASEFRAMES ARE SHIPPED TOGETHER AND CAN BE UNBOLTED FOR PASSAGE THROUGH A STANDARD DOOR.
3. SHIPPING WIGHT: 2362 LBS.
4. SYSTEM CAPACITY: 392 CFM.
5.  INDICATES CENTER OF GRAVITY.




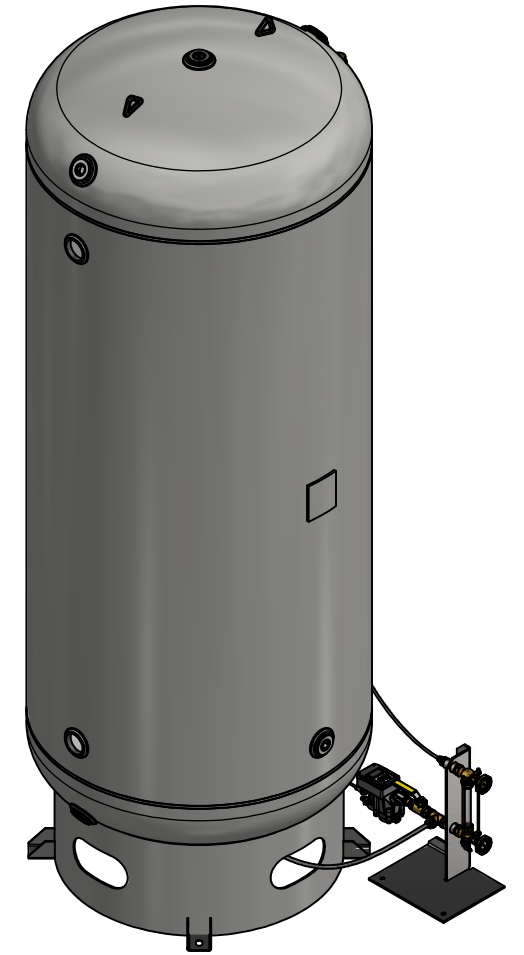
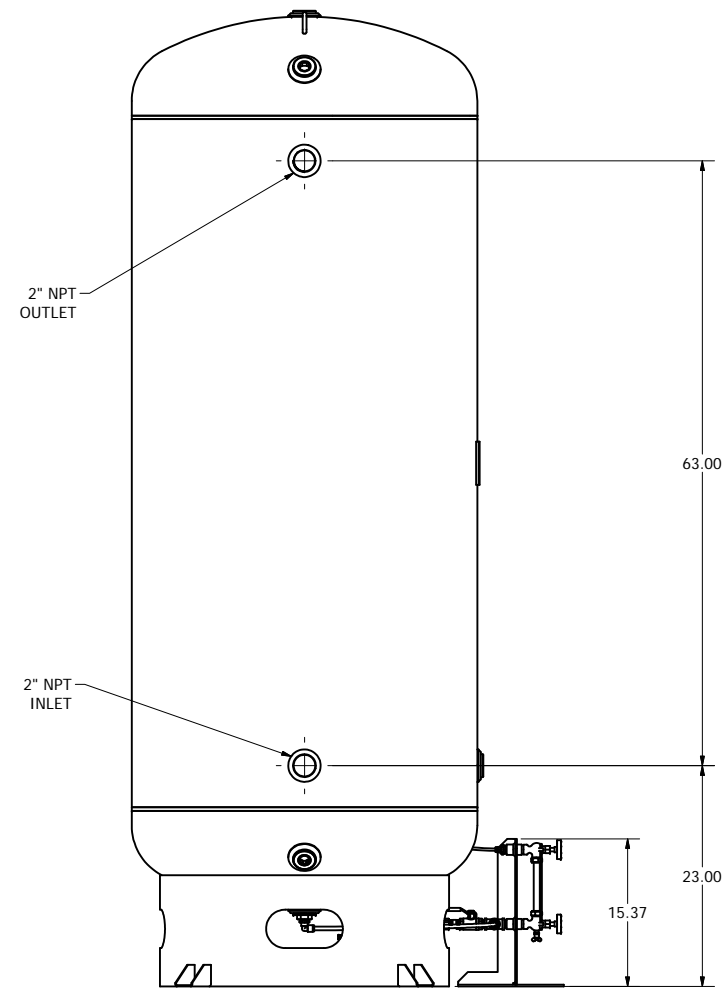
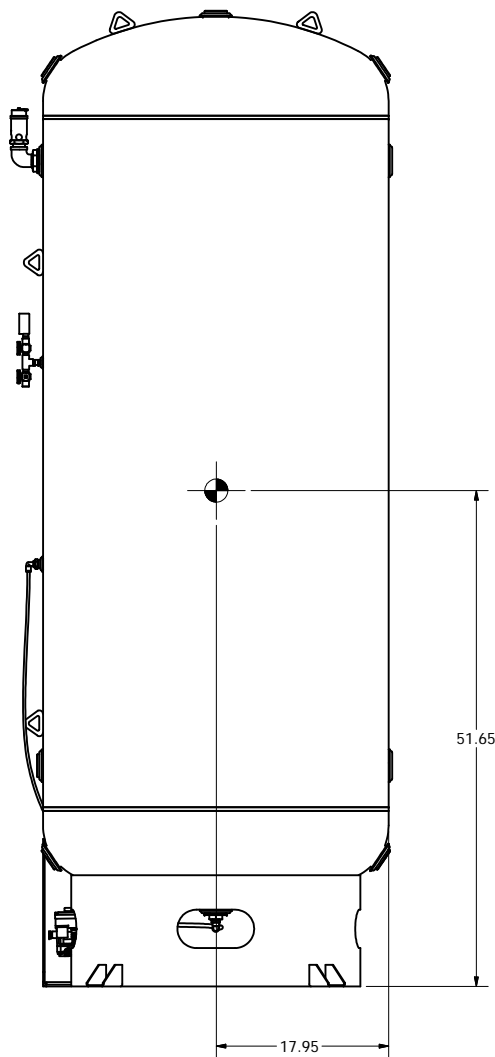
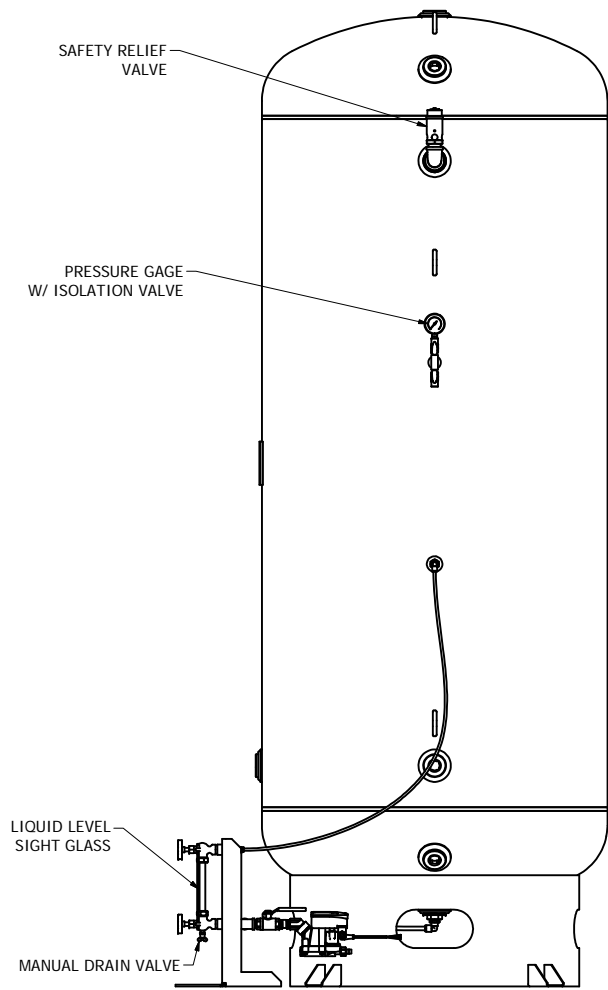
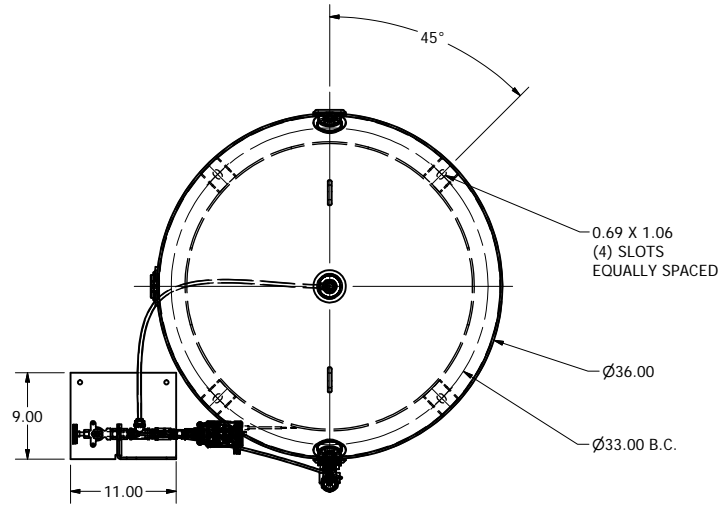
Revised:	Date:	Drawn:	Date:
		MDB	9/30/2020
		This drawing and the information contained therein remain the property of BeaconMedes and may not be used for other than the purpose for which it is loaned without the expressed written permission from BeaconMedes Engineering.	
Description: GEN ASM CD185 DRYER MODULE 392 CFM, Z-MED MEDICAL AIR SYSTEM MK5 TOUCH		Drawing Number: 4107 8563 71	Scale: 1/10 D
Sheet 1 of 2		Rev: 00	DO NOT SCALE THIS DOCUMENT




- NOTES:
1. NEEDLE VALVE SETTING INSTRUCTIONS
 - A. ADJUST VALVE TO FULL OPEN.
 - B. CLOSE KNOB 2 FULL TURNS.
 - C. LOCK ADJUSTMENT KNOB WITH LOCK COLLAR.

Revised: BKW	Date: 6/30/2017	Drawn: BKW	Date: 4/20/2017
		This drawing and the information contained therein remain the property of BeaconMedaes and may not be used for other than the purpose for which it is loaned without the expressed written permission from BeaconMedaes Engineering.	
Description: GEN ASM CD185 DRYER MODULE 392 CFM, Z-MED MEDICAL AIR SYSTEM		Drawing Number: 4107 8561 73	
DN: HOP170587	Rev: 01	Scale: NA	D
Sheet 2 of 2	DO NOT SCALE THIS DOCUMENT		

- Notes:
1. ASME CODE CONSTRUCTION.
 2. DESIGN PRESSURE: 200 PSI AT 400°F.
 3. NATION BOARD REGISTERED.
 4. ALL OPENINGS ARE NPT THREADED.
 5. WEIGHT: 775 LBS (TANK) AND 22 LBS (SIGHT GLASS ASM).
 6.  DENOTES CENTER OF GRAVITY.



Revised:	Date:	Drawn: MDB	Date: 7/8/2021
		This drawing and the information contained therein remain the property of BeaconMedes and may not be used for other than the purpose for which it is loaned without the expressed written permission from BeaconMedes Engineering.	
Description: AIR RECEIVER TANK - 400 GALLON W/STAND ALONE SIGHT GLASS & DRAIN		Drawing Number: 4107 0082 32	Scale: 1/10
DN: HOP211010		Rev: 00	Sheet 1 of 1
DO NOT SCALE THIS DOCUMENT		DO NOT SCALE THIS DOCUMENT	