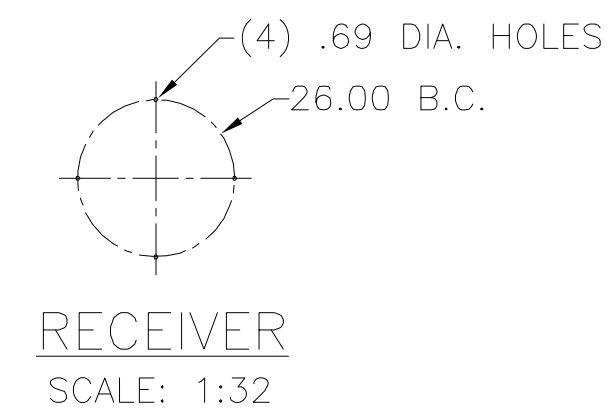
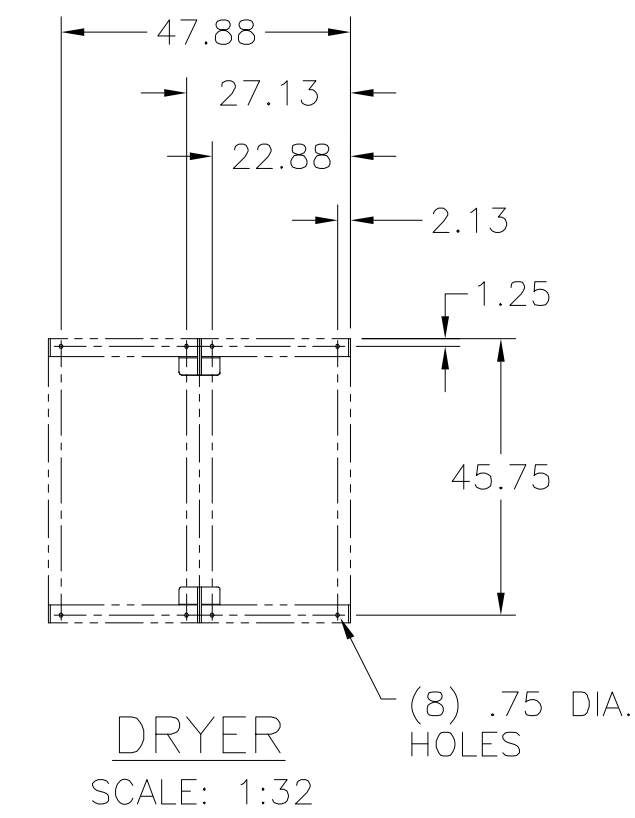
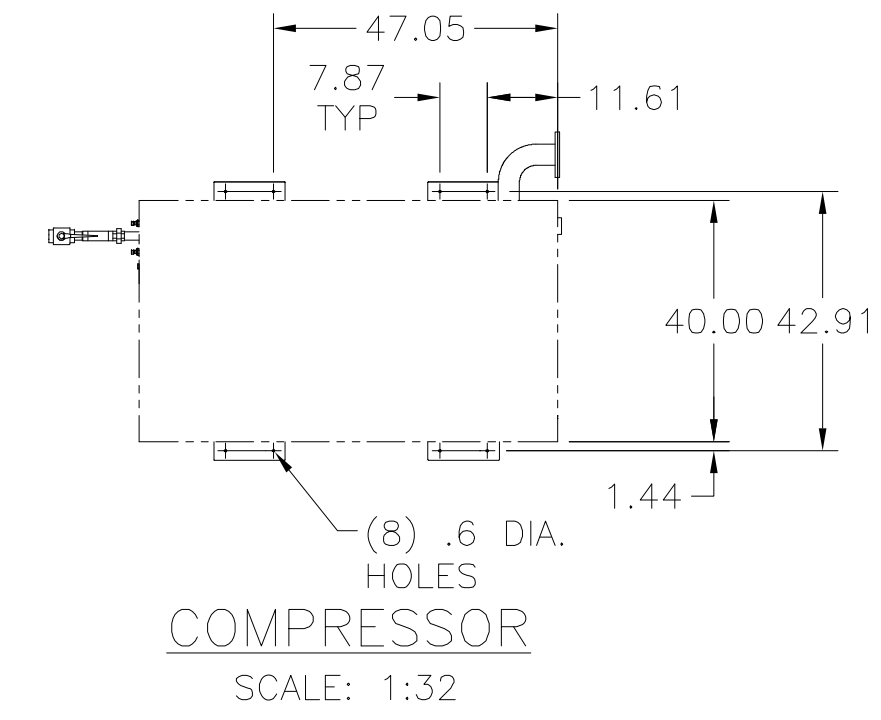
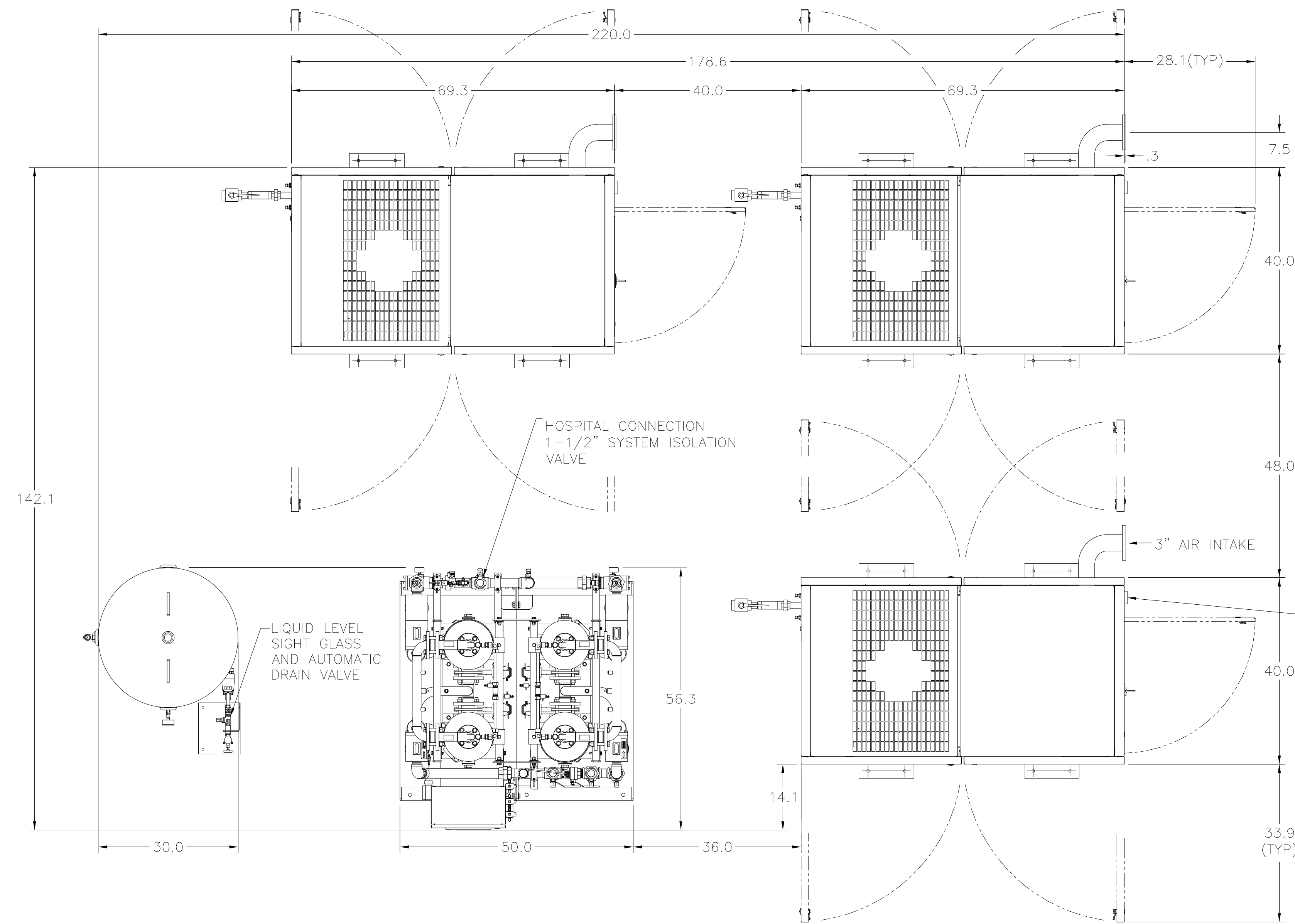


ANCHOR BOLT LOCATIONS

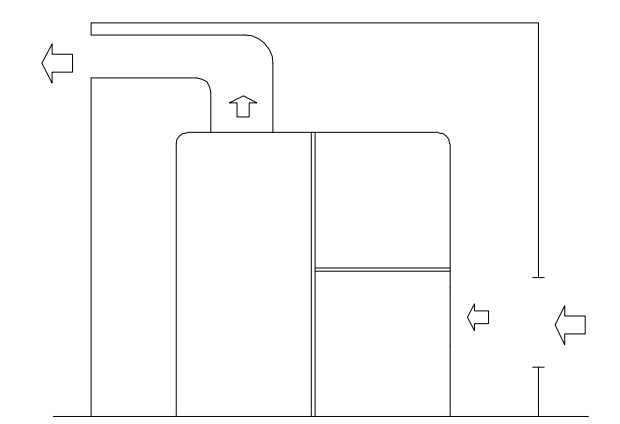
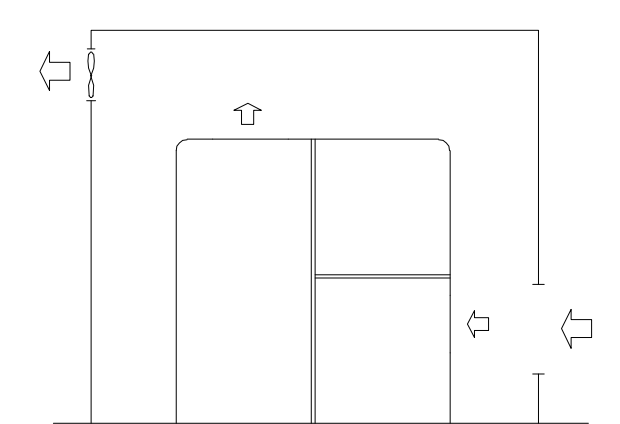


NOTES:

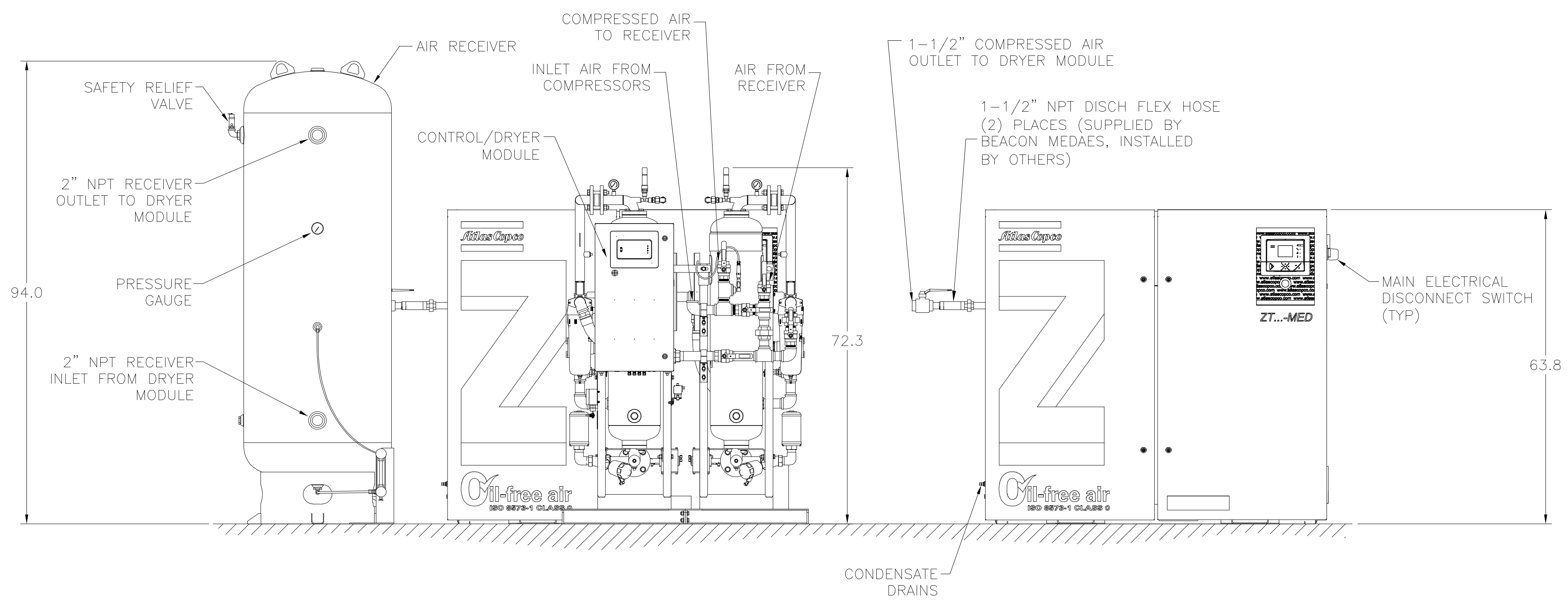
- EQUIPMENT LAYOUT IS DIAGRAMMATIC ONLY; FINAL ARRANGEMENT WILL BE SITE SPECIFIC. CONTRACTOR SHALL BE RESPONSIBLE FOR FIELD VERIFICATION AND COORDINATING ACTUAL LOCATION WITH OTHER TRADES.
- ALL INTERCONNECTING PIPING AND FITTINGS SHALL BE SUPPLIED AND INSTALLED BY THE CONTRACTOR.
- ALL INTERCONNECTING PIPING SHALL BE HARD-DRAWN SEAMLESS TYPE "K" OR "L" COPPER TUBING CONFORMING TO ASTM DESIGNATION B-819 AND INSTALLED IN ACCORDANCE WITH NFPA 99, EDITION 2005.
- INTERCONNECTING COMMUNICATION "CAN" CABLES ARE SUPPLIED BY BEACONMEDAES. COMPRESSORS ARE CONNECTED TO THE MAIN CONTROL PANEL IN SERIES USING THESE CABLES. (STANDARD CABLE LENGTH IS 10-METERS, FOR LONGER CABLE LENGTHS, CONSULT FACTORY).
- THE ROOM REQUIRES DEDICATED MECHANICAL VENTILATION WITH AN ALLOWABLE TEMPERATURE VARIANCE OF 40°F TO 105°F (FOR HIGHER AMBIENTS, CONSULT FACTORY).
- VENTILATION: THE INLET GRID(S) AND VENTILATION FAN SHOULD BE INSTALLED IN SUCH A WAY THAT ANY RECIRCULATION OF COOLING AIR TO THE COMPRESSOR IS AVOIDED. THE AIR VELOCITY TO THE GRID(S) HAS TO BE LIMITED TO 5m/s.
- CLEARANCE DIMENSIONS SHOWN BETWEEN EQUIPMENT ARE MINIMUM CLEARANCES REQUIRED FOR SERVICING.
- RECOMMENDED CLEARANCE AROUND THE OUTER PERIMETER OF THE COMPLETE SYSTEM FOR SERVICING AND MAINTENANCE IS 48".
- RECOMMENDED MINIMUM CLEARANCE BETWEEN TOP OF EQUIPMENT AND OVERHEAD PIPING/CEILING IS 48" FOR VENTILATION PROPOSALS.
- ALL EQUIPMENT SHOULD BE INSTALLED ON A LEVEL FLOOR CAPABLE OF TAKING THE WEIGHT OF THE EQUIPMENT.



MAIN ELECTRICAL CONNECTION (TYP)



VENTILATION PROPOSAL: Standard Unit (See note 6)
(Common ducting for multiple units is not allowed)

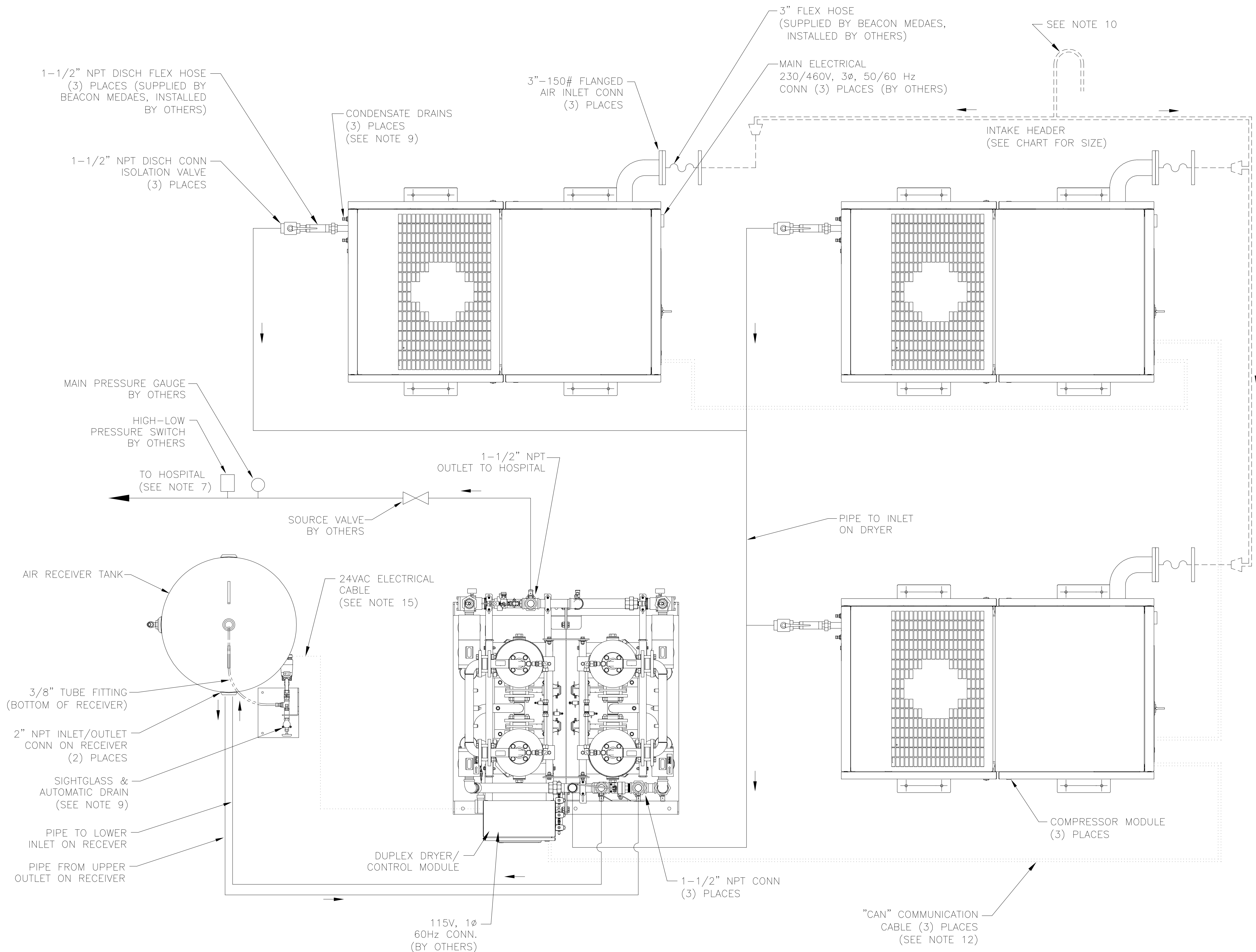


20hp WITH 240 GAL RECEIVER AND TRIPLEX DESICCANT DRYER



TITLE: ZT15-CD110(211CFM)-MED TRIPLEX MEDICAL AIR SYSTEM
SUGGESTED INSTALLATION DIAGRAM

MODEL NO.: ZTM-15T-D240		CAPACITY @ 109 PSI SCFM		DRAWN BY: BJM CHECKED BY: MJB REVISIONS: 1:16	DATE: 7/23/07 DATE: 06/03/21 D	This drawing and the information contained therein remain the property of BeaconMedaes and may not be used for other than the purpose for which it is loaned without the expressed written permission from BeaconMedaes Engineering.	DRAWING NO. DIA 27 908 REV. F
COMPRESSOR	SYSTEM	80	160				



NOTES:

GENERAL

- EQUIPMENT, INSTALLATION, AND TESTING OF THE MEDICAL AIR SYSTEM SHALL COMPLY WITH NFPA 99, 2005 EDITION, LIFELINE INSTALLATION MANUAL AND ALL STATE AND LOCAL CODES OR ORDINANCES.
- EQUIPMENT, ELECTRICAL AND PIPING LAYOUT IS DIAGRAMMATIC ONLY: FINAL ARRANGEMENT WILL BE SITE SPECIFIC. CONTRACTOR SHALL BE RESPONSIBLE FOR FIELD VERIFICATION AND COORDINATING ACTUAL LOCATION WITH OTHER TRADES.
- THE ROOM REQUIRES DEDICATED MECHANICAL VENTILATION WITH AN ALLOWABLE TEMPERATURE VARIANCE OF 40°F TO 105°F (FOR HIGHER AMBIENTS, CONSULT FACTORY).
- REFERENCE LIFELINE INSTALLATION MANUAL FOR PROPER LOCATION OF MODULES TO ENSURE ADEQUATE AIR FLOW ACROSS THE UNITS.

PIPING

- ALL PIPING SHALL BE INSTALLED IN ACCORDANCE WITH NFPA 99, 2005 EDITION.
- ALL INTERCONNECTING PIPING AND FITTINGS SHALL BE SUPPLIED AND INSTALLED BY OTHERS.
- FOR DISCHARGE PIPE SIZING REFER TO STANDARD PRESSURE DROP TABLES (TOTAL PRESSURE DROP SHOULD BE LESS THAN 5 PSIG).
- ALL INTERCONNECTING PIPING SHALL BE HARD-DRAWN SEAMLESS TYPE "K" OR "L" COPPER TUBING CONFORMING TO ASTM DESIGNATION B-819 AND INSTALLED IN ACCORDANCE WITH NFPA 99, EDITION 2005.
- THE RECEIVER DRAIN VALVE IS SUPPLIED WITH A 3/8" HOSE BARB. EACH COMPRESSOR MODULE IS SUPPLIED WITH (2) 5/16" BRASS COMPRESSION FITTING DRAIN CONNECTIONS. ALL DRAIN LINES SHALL BE SUPPLIED AND INSTALLED BY OTHERS AND RUN TO THE APPROPRIATE WASTE DRAIN.
- PIPE AIR INTAKE OUTSIDE, TURN DOWN AND SCREEN PER NFPA 99.

ELECTRICAL

- ELECTRICAL POWER SHALL BE SUPPLIED FROM THE EQUIPMENT SYSTEM BRANCH OF THE ESSENTIAL ELECTRICAL DISTRIBUTION (EMERGENCY POWER).
- INTERCONNECTING COMMUNICATION "CAN" CABLES ARE SUPPLIED BY BEACONMEDAES. COMPRESSORS ARE CONNECTED TO THE MAIN CONTROL PANEL IN SERIES USING THESE CABLES. THE STANDARD CABLE LENGTH IS 10-METERS. (FOR LONGER CABLE LENGTHS, CONSULT FACTORY).
- ALL CONDUIT, FITTINGS AND CONDUCTORS SHALL BE SUPPLIED BY THE OTHERS.
- REFER TO LIFELINE WIRING DIAGRAM SHIPPED WITH CONTROL MODULE UNIT FOR CONNECTIONS IN THE PANEL.
- POWER CORD FOR THE AUTOMATIC DRAIN WILL BE SUPPLIED BY BEACONMEDAES. STANDARD CABLE LENGTH IS 10-METERS (FOR LONGER CABLE LENGTHS, CONSULT FACTORY).

LINE SIZE CHART
INSTALLED & SUPPLIED BY OTHERS
UNLESS OTHERWISE SPECIFIED

ELECTRICAL (SUPPLIED BY BEACONMEDAES)	
24V AC
COMMUNICATION CABLE

COMPRESSOR DISCHARGE PIPING (SEE NOTE 6 & 8)	
1-1/2"	-----

RECEIVER/SIGHTGLASS (SUPPLIED BY BEACONMEDAES)	
1/4" NYLON TUBE	-----
3/8" NYLON TUBE	=====

COMPRESSOR INTAKE PIPING (SEE NOTE 6 & 8)	
3"	-----
4"	0-99ft
5"	100-399ft
6"	400-500ft



TITLE:
ZT15-CD110(211CFM)-MED TRIPLEX MEDICAL AIR SYSTEM
SUGGESTED PIPING & ELECTRICAL DIAGRAM

DRAWN BY: BLM	DATE: 7/25/07	This drawing and the information contained therein remain the property of BeaconMedaes and may not be used for other than the purpose for which it is loaned without the expressed written permission from BeaconMedaes Engineering.
CHECKED BY:	DATE:	
REVISIONS BY: MEB	DATE: 06/04/21	DRAWING NO. DIA 27 958
SCALE: 1:12	D	REV. F

20Hp WITH AIR RECEIVER
AND DUPLEX DESICCANT DRYER