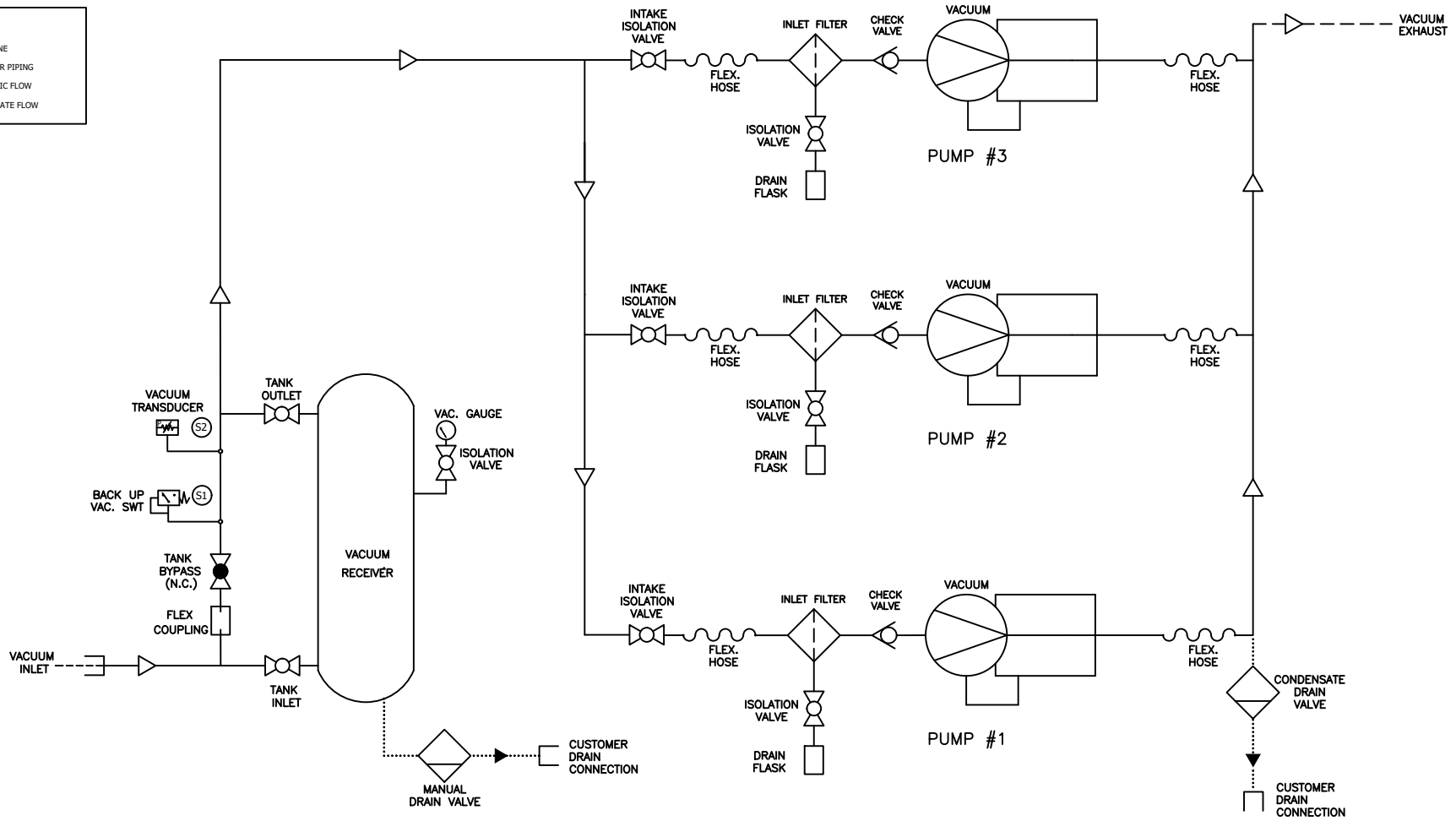
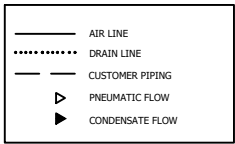


This drawing and the information contained thereon remain the property of BeaconMedics and may not be used for other than the purpose for which it is issued without the expressed written permission from BeaconMedics Engineering.



INSTRUMENTATION DETAILS			
SENSOR	DESCRIPTION	SETTING	ACTION
S1	BACKUP VAC. SWT.	15" HG ON THE FALL	BACKUP OPERATION
S2	VACUUM TRANSDUCER	VAC-15PSIG	OPERATION

Revised: eyp	Date: 03/12/2003	Drawn: jck	Date: 07/29/03
This drawing and the information contained thereon remain the property of BeaconMedics and may not be used for other than the purpose for which it is issued without the expressed written permission from BeaconMedics Engineering.			Scale: NTS
Description: PNEUMATIC DIAGRAM TX		Part Number: 4107 8554 41	D
5-10HP DRY SPC V 200G TAE		Rev: 02	
Sheet: 1 of 1	Doc: HOP220060	Printed: 02/28/04	