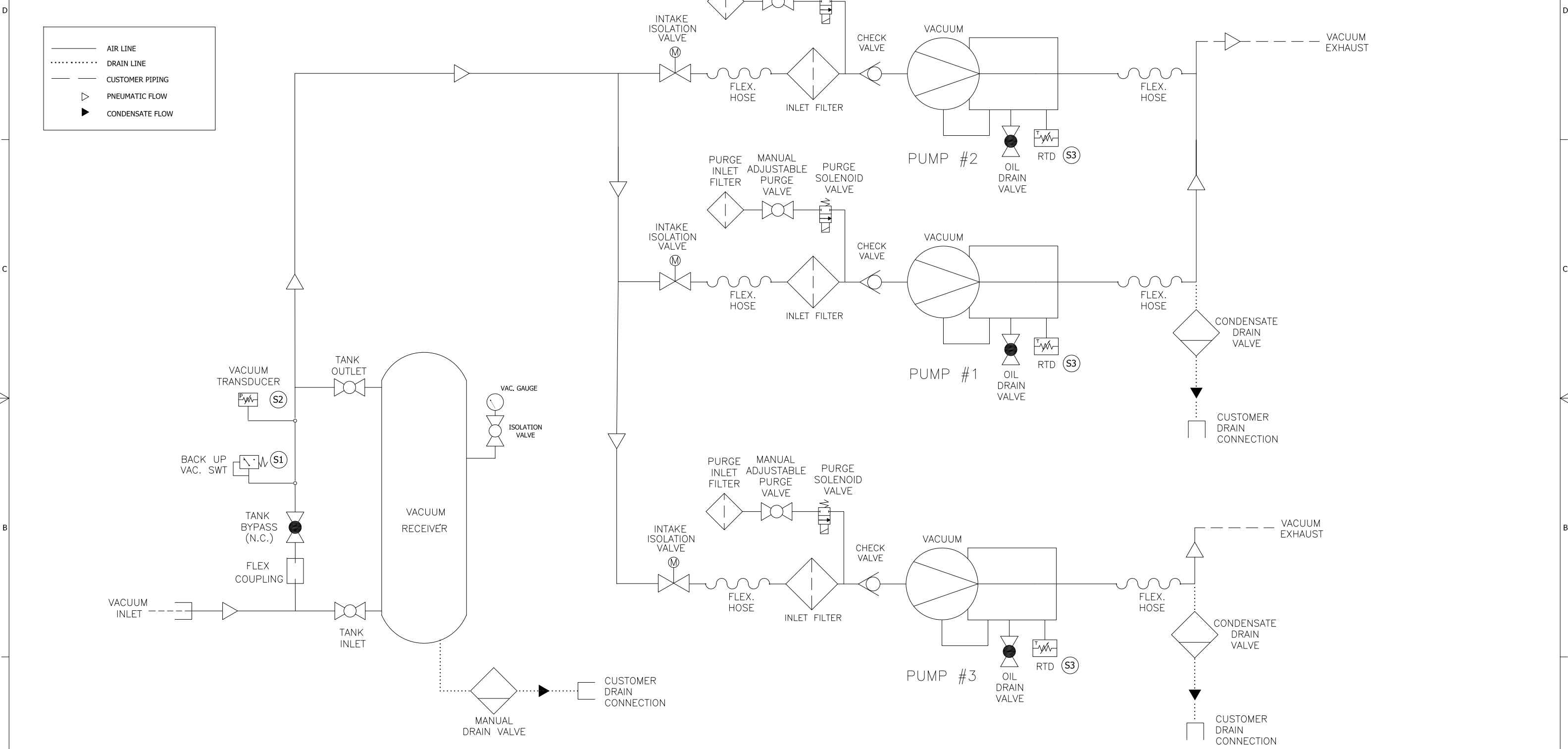


This drawing and the information contained thereon remain the property of BeaconMedas and may not be used for other than the purpose for which it is loaned without the expressed written permission from BeaconMedas Engineering.



INSTRUMENTATION DETAILS			
SENSOR	DESCRIPTION	SETTING	ACTION
S1	BACKUP VAC SWT.	15" Hg ON THE FALL	BACKUP OPERATION
S2	VACUUM TRANSDUCER	VAC-15PSIG	OPERATION
S3	HIGH DISCH TEMP	5-25HP - 250°F	SHUTDOWN

Revised:	Date:	Drawn: MDB	Date: 09/20/2017
UNLESS OTHERWISE SPECIFIED ALL DIMENSIONS ARE IN INCHES AND TOLERANCES ARE: .XX ±.02 .XXX ±.0005 .XXX ±.005 ANGLES ±.5		Scale: NTS	
Description: PNEUMATIC DIAGRAM TX 5-25 HP LAB LUBE SPC V		Part Number: 4107 8563 40	
DN: HOP170850		Rev: 00	
Sheet 1 of 1		DO NOT SCALE THIS DOCUMENT	