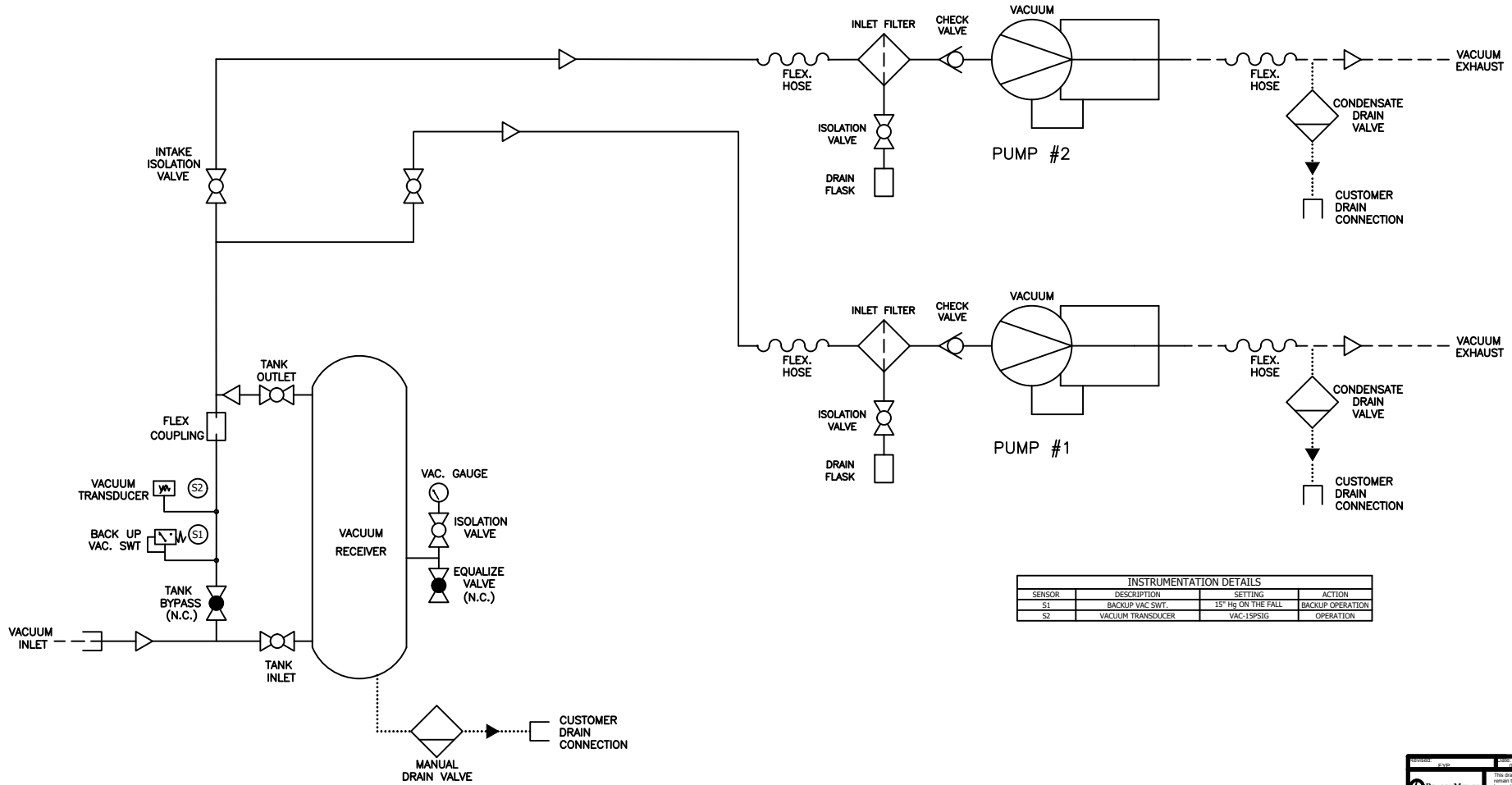
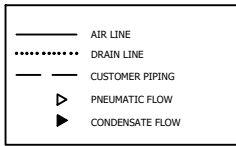


This drawing and the information contained therein remain the property of BeaconMedics and may not be used for other than the purpose for which it is issued without the expressed written permission from BeaconMedics Engineering.



| INSTRUMENTATION DETAILS | | | |
|-------------------------|-------------------|--------------------|------------------|
| SENSOR | DESCRIPTION | SETTING | ACTION |
| S1 | BACKUP VAC. SWT. | 15" Hg ON THE FALL | BACKUP OPERATION |
| S2 | VACUUM TRANSDUCER | VAC-1SPSIG | OPERATION |

| | | | | | | |
|------------------------------|------|--------------|--|--------|----|---------------|
| REVISED | DATE | BY | REASON | DATE | BY | REASON |
| | | | | | | |
| | | | This drawing and the information contained therein remain the property of BeaconMedics and may not be used for other than the purpose for which it is issued without the expressed written permission from BeaconMedics Engineering. | | | |
| Description: | | Part Number: | | Sheet: | | Total Sheets: |
| PNEUMATIC DIAGRAM DX | | 4107 8554 37 | | 1 of 1 | | 101 |
| 1.5-SHP DRY VTM V 30-80G TAE | | HQP220060 | | | | |