

This drawing and the information contained thereon remain the property of BeaconMedes and may not be used for other than the purpose for which it is loaned without the expressed written permission from BeaconMedes Engineering.

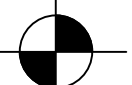
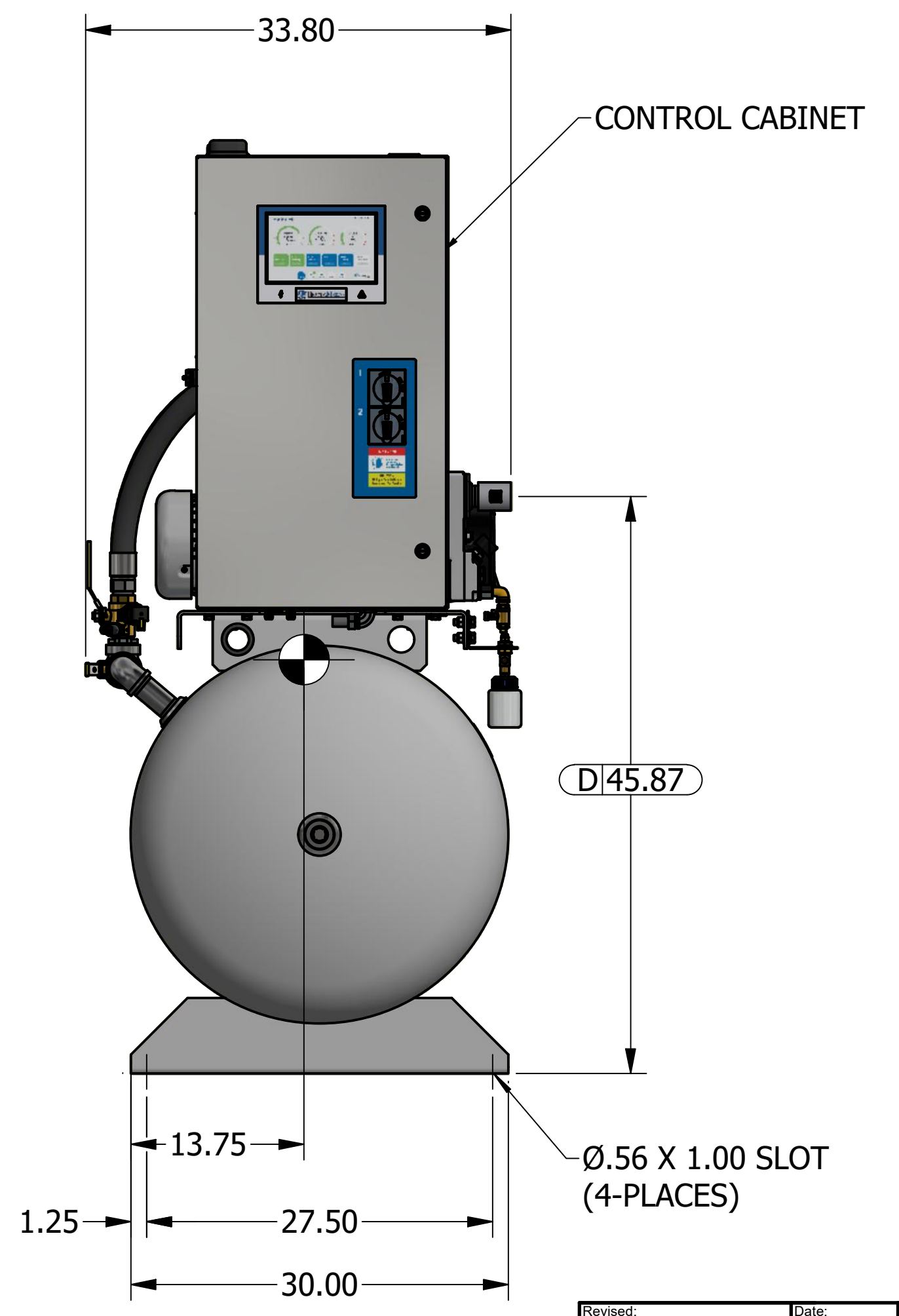
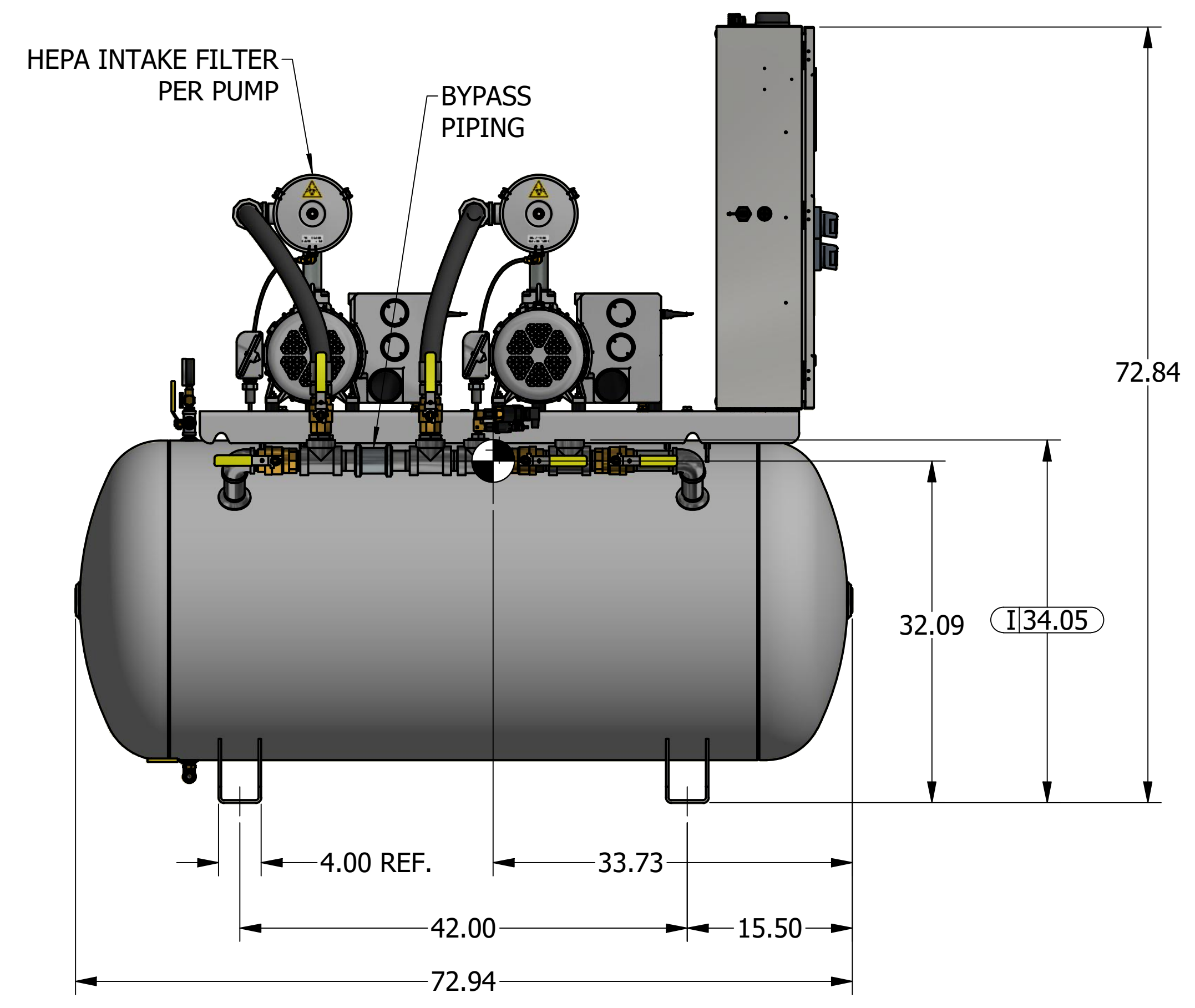
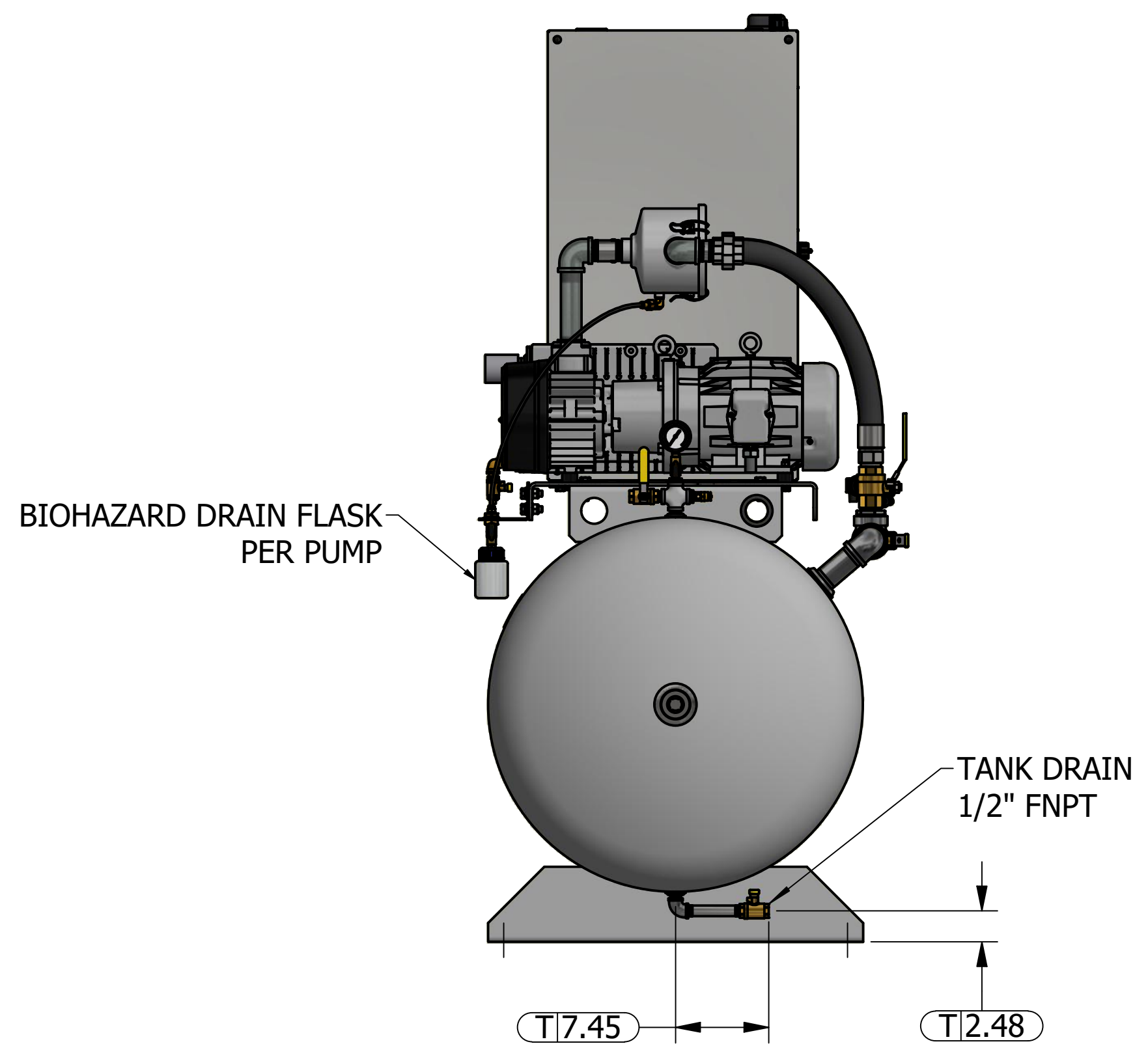
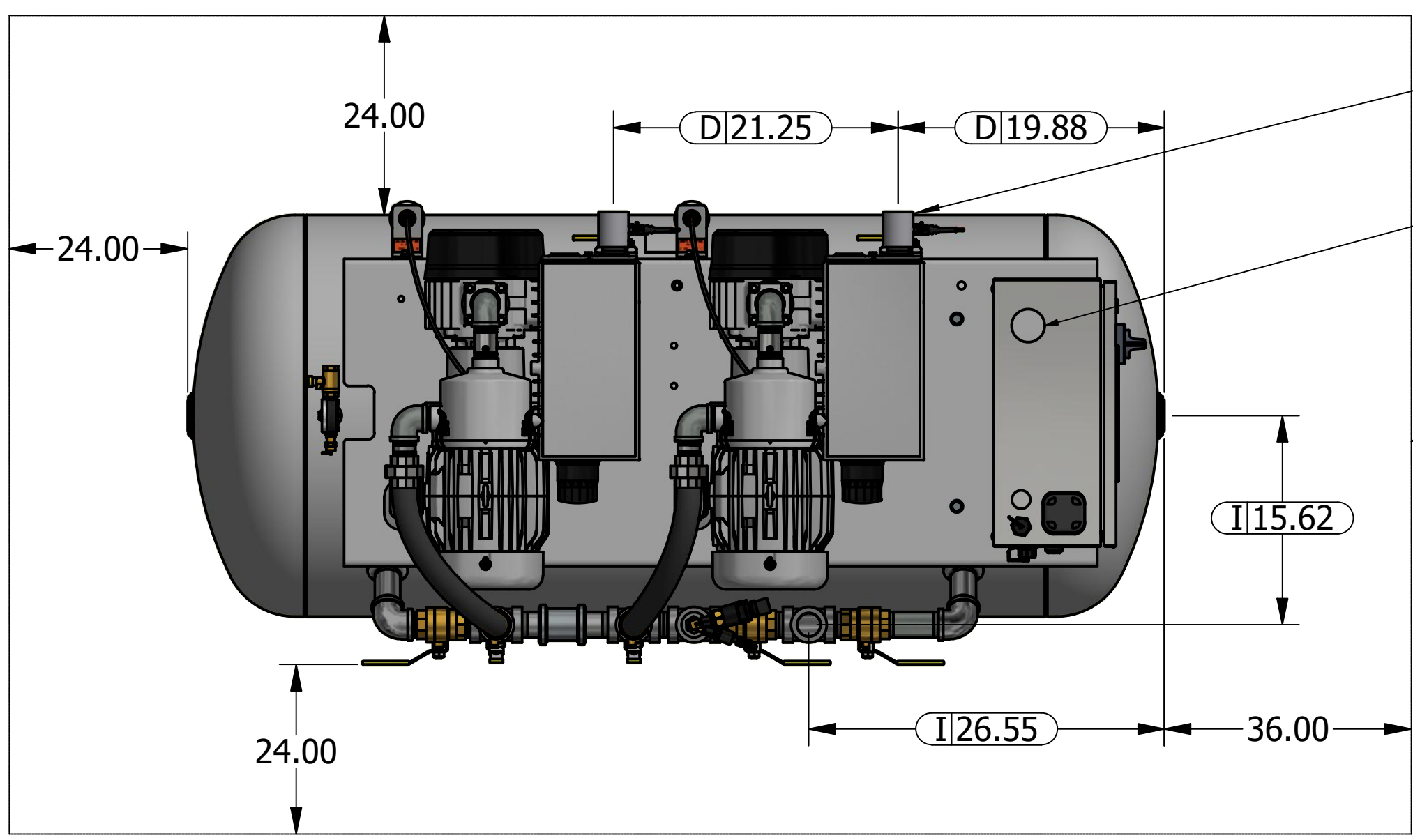

- Notes:
1. SYSTEM WEIGHT: 1049 LBS.
 2.  DENOTES CENTER OF GRAVITY.

TABLE	
ID	DESCRIPTION
I	INLET LOCATION
D	DISCHARGE LOCATION
T	TANK DRAIN



Revised: APS	Date: 3/24/2023	Drawn: Jeb	Date: 4/18/2011
UNLESS OTHERWISE SPECIFIED: ALL DIMENSIONS ARE IN INCHES AND TOLERANCES ARE: XXX ±.02 XXX ±.005		UNLESS OTHERWISE SPECIFIED ALL DIMENSIONS ARE IN INCHES AND TOLERANCES ARE: XXX ±.02 XXX ±.005	
INSPECTION CHECKLIST UNLESS OTHERWISE SPECIFIED: 		Scale: D	
Description: GENERAL ASSEMBLY DX 3HP LUBE VAC TANK MOUNTED 200G RECEIVER		Drawing Number: 4107 8530 78	
DN: HOP230842		Rev: 04	
Sheet 1 of 1		DO NOT SCALE THIS DOCUMENT	