
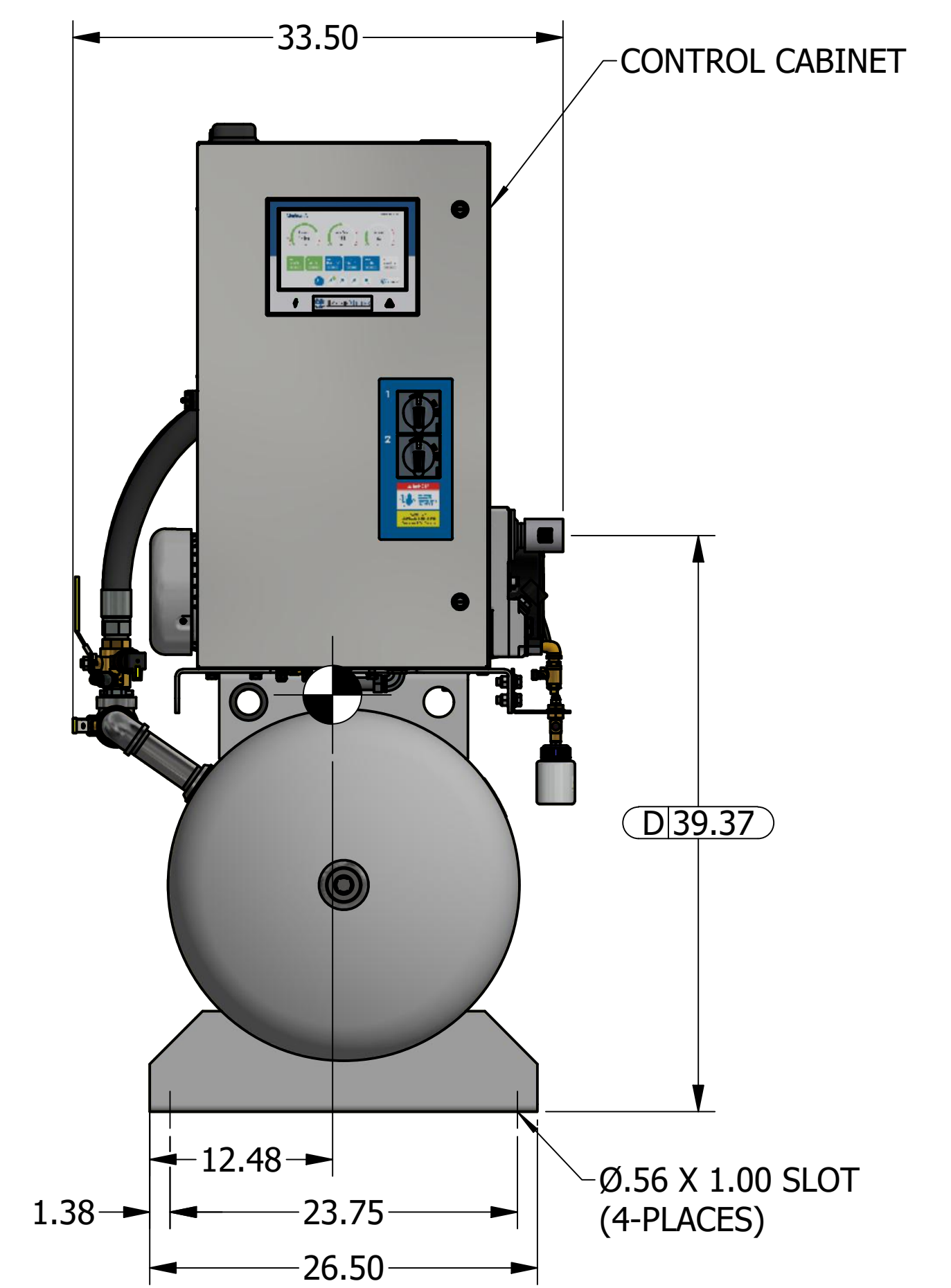
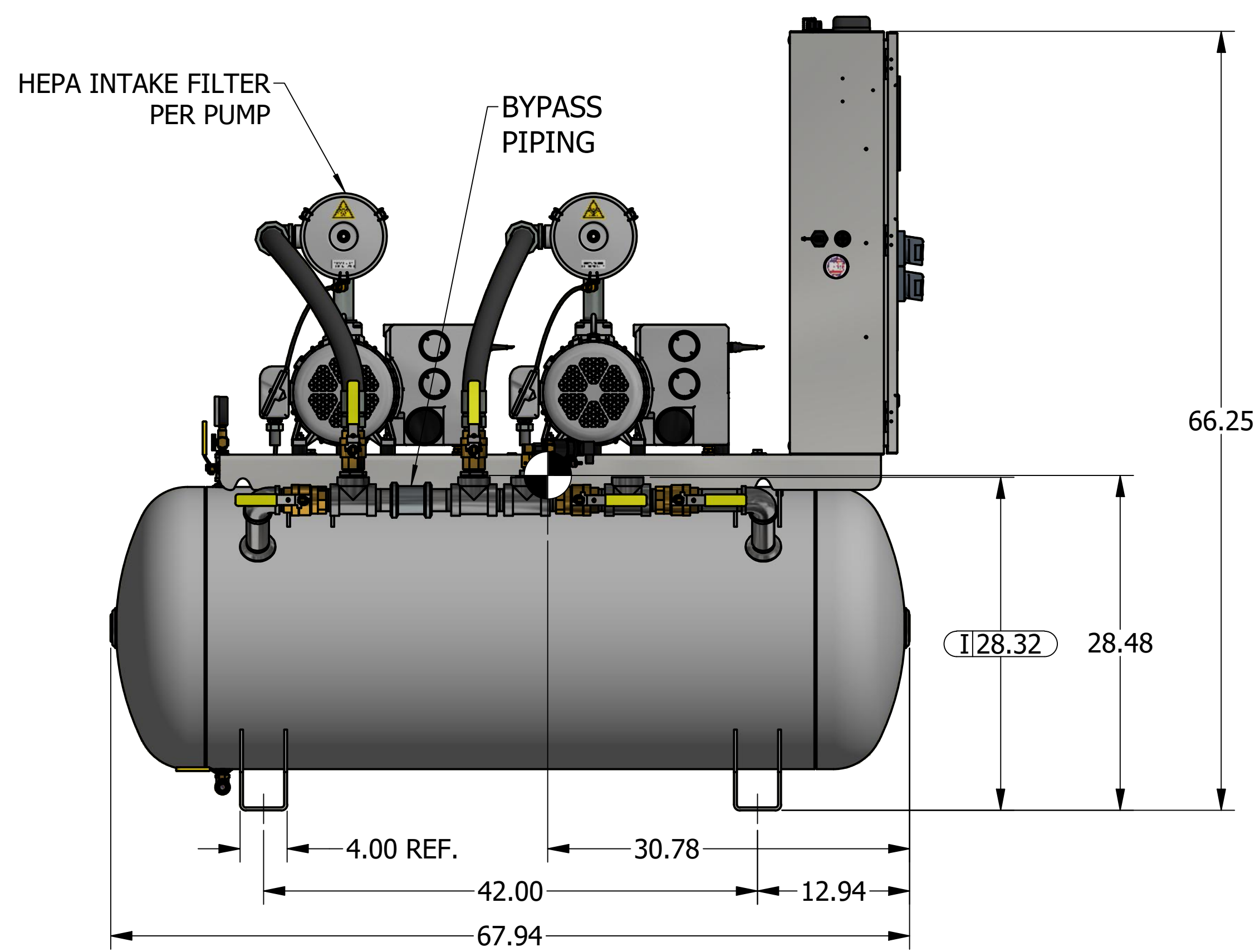
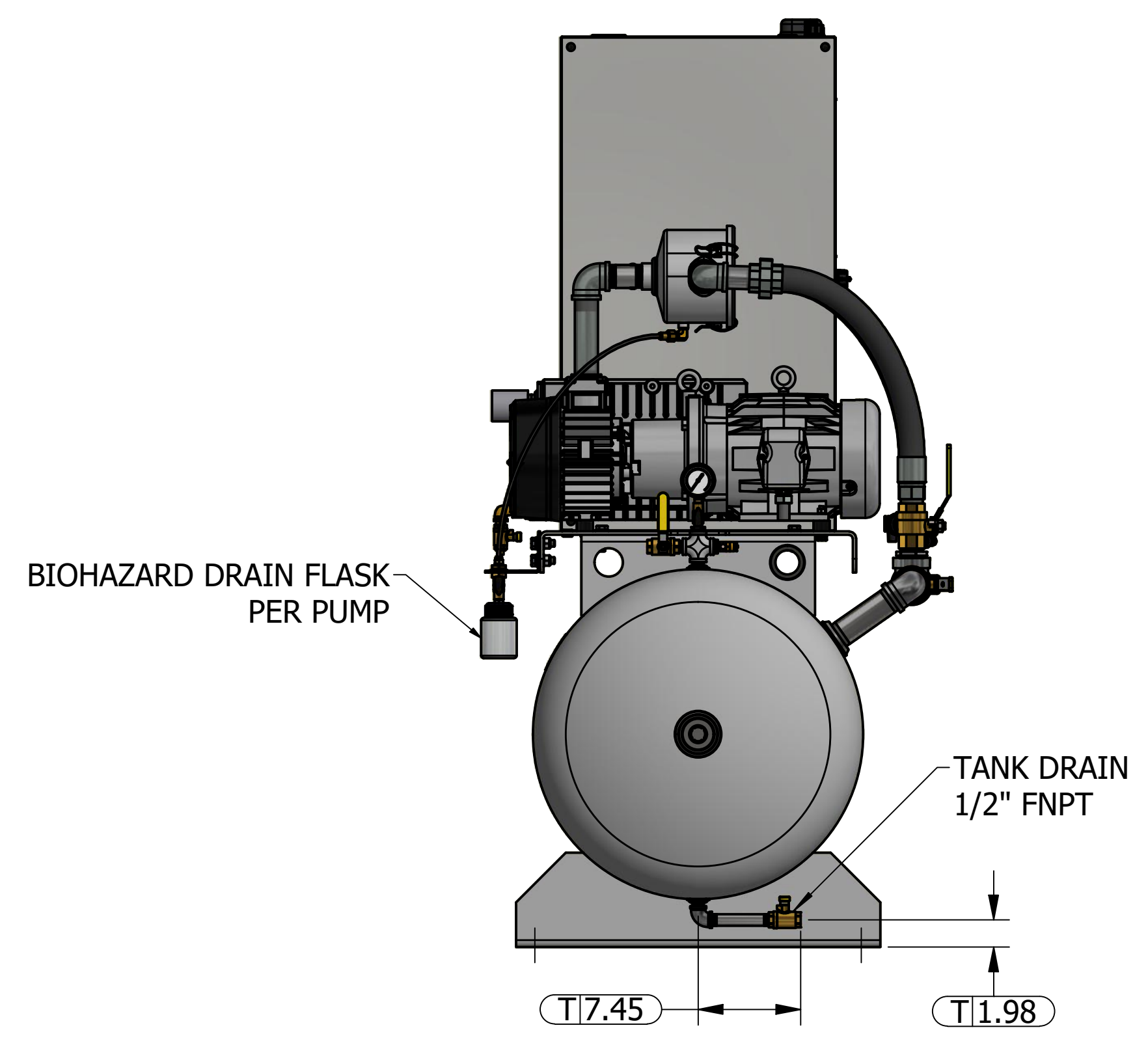
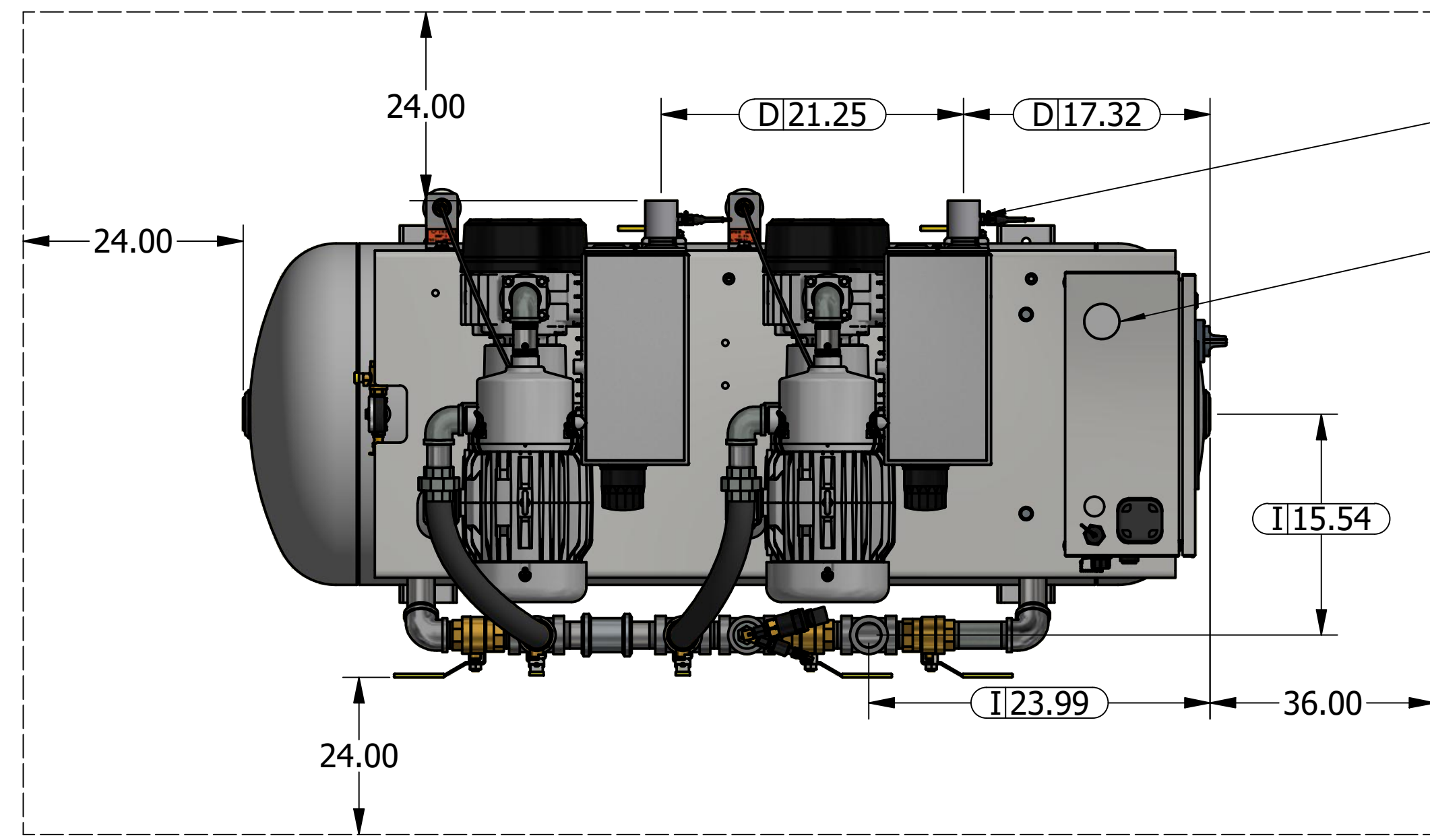


This drawing and the information contained thereon remain the property of BeaconMedes and may not be used for other than the purpose for which it is loaned without the expressed written permission from BeaconMedes Engineering.

- Notes:
1. SYSTEM WEIGHT: 927 LBS
 2.  DENOTES CENTER OF GRAVITY.

SYSTEM CONNECTIONS	
ID	DESCRIPTIONS
I	INLET LOCATION
D	DISCHARGE LOCATION
T	TANK DRAIN



Revised: a00545201	Date: 3/16/2023	Drawn: Jeb	Date: 4/18/2011
UNLESS OTHERWISE SPECIFIED: ALL DIMENSIONS ARE IN INCHES AND TOLERANCES ARE: XXX ±.02 XXX ±.005		UNLESS OTHERWISE SPECIFIED ALL DIMENSIONS ARE IN INCHES AND TOLERANCES ARE: XXX ±.02 XXX ±.005	
Description: GENERAL ASSEMBLY DX 3HP LUBE VAC TANK MOUNTED 120G RECEIVER		Drawing Number: 4107 8530 70	Rev: 04
Sheet 1 of 1		DO NOT SCALE THIS DOCUMENT	