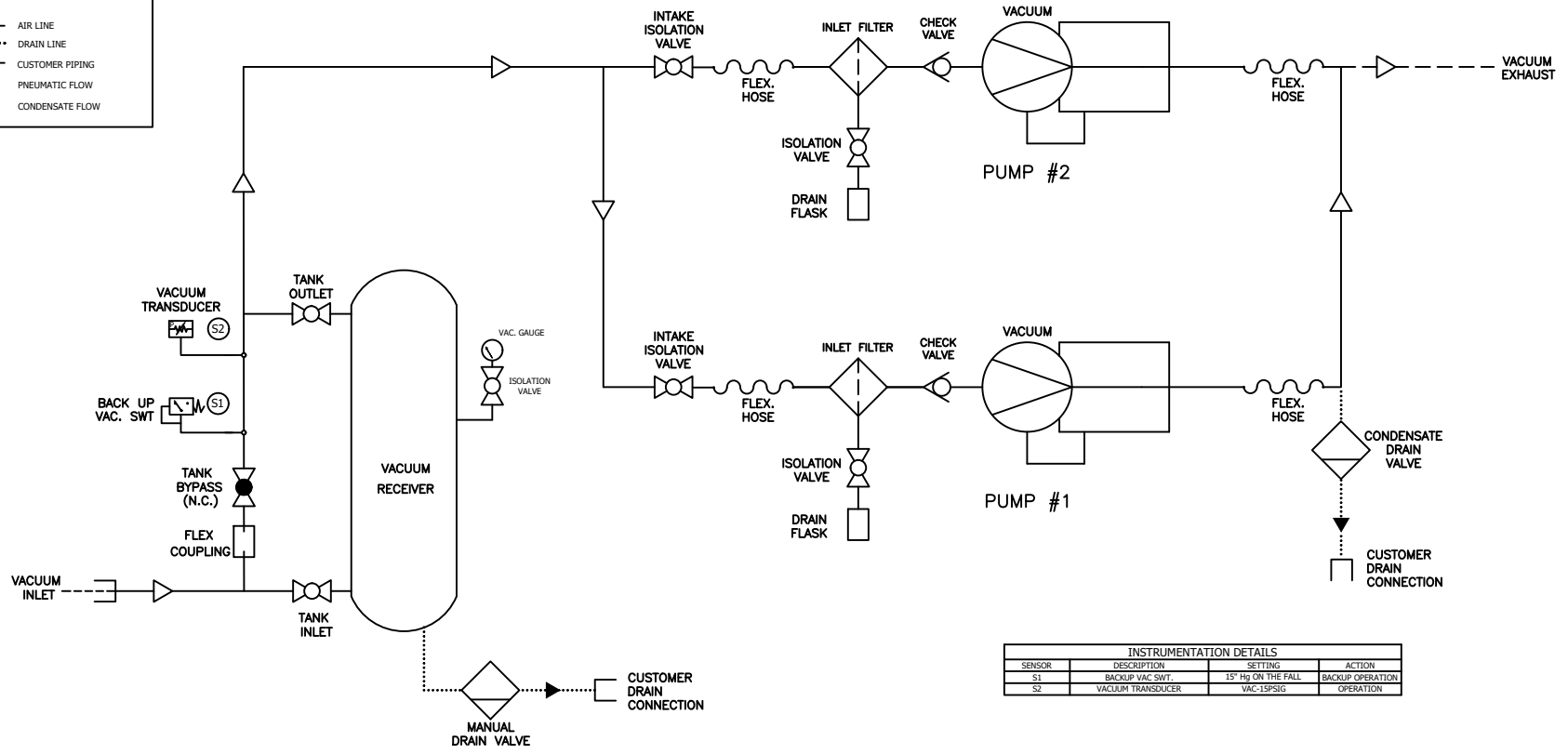
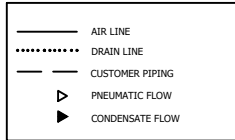


This drawing and the information contained thereon remain the property of BeaconMedics and may not be used for other than the purpose for which it is issued without the expressed written permission from BeaconMedics Engineering.



INSTRUMENTATION DETAILS			
SENSOR	DESCRIPTION	SETTINGS	ACTION
S1	BACKUP VAC SWT	15" H ₂ O ON THE FALL	BACKUP OPERATION
S2	VACUUM TRANSDUCER	VAC-15PSIG	OPERATION

Revised: eyp	Date: 03/12/2021	Drawn: jcl	Date: 07/20/19
This drawing and the information contained thereon remain the property of BeaconMedics and may not be used for other than the purpose for which it is issued without the expressed written permission from BeaconMedics Engineering.			Scale: NTS
Description: PNEUMATIC DIAGRAM DX		Part Number: 4107 8554 40	
7.5-10HP DRY SPC V 120G TAE		Doc: HOP220060	Rev: 02
Sheet 1 of 1		OTHER FILED THIS DOCUMENT	