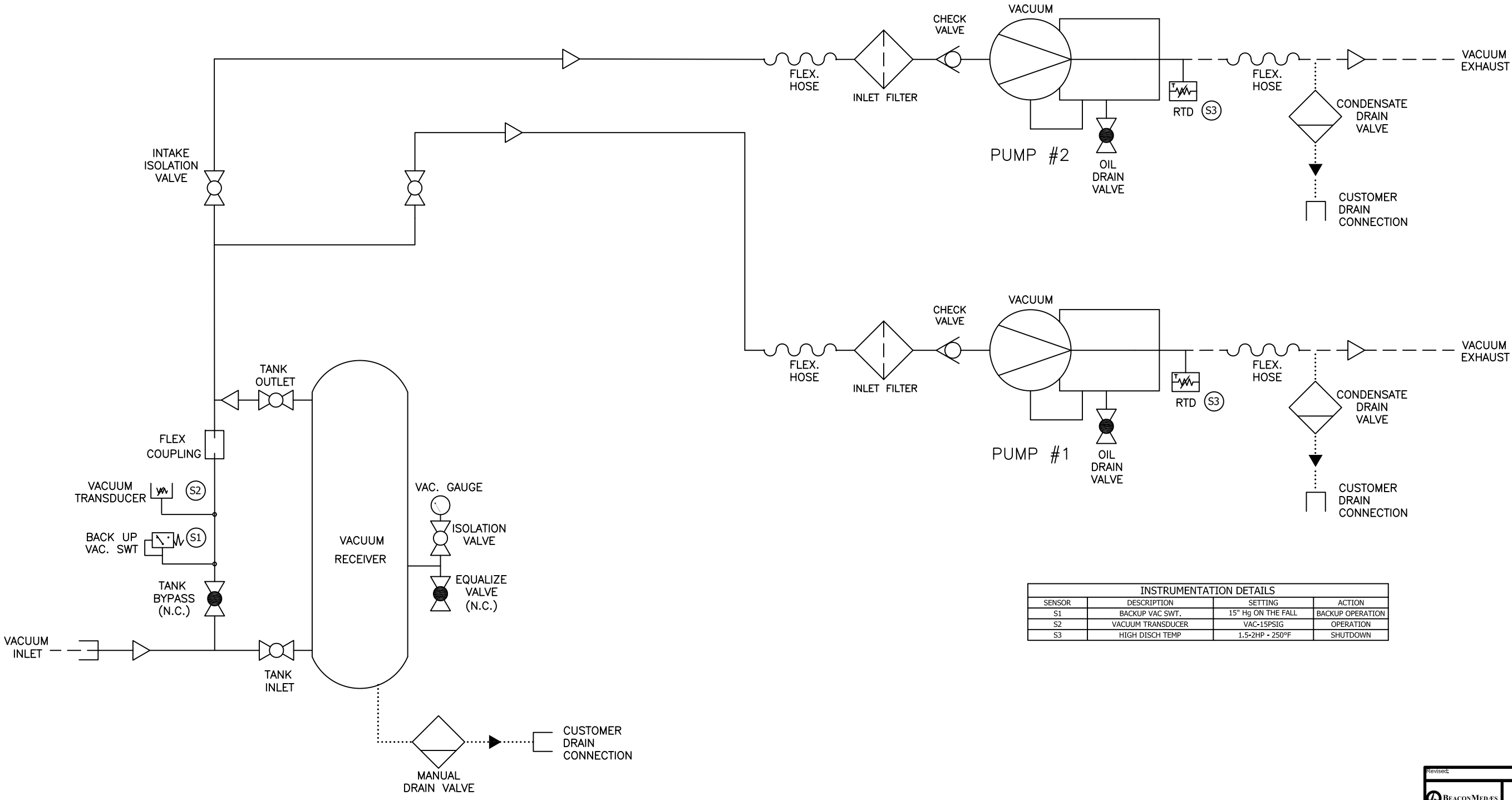
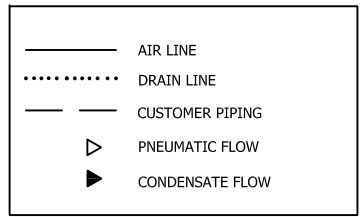


This drawing and the information contained herein remain the property of BeaconMedas and may not be used for other than the purpose for which it is loaned without the expressed written permission from BeaconMedas Engineering.



INSTRUMENTATION DETAILS			
SENSOR	DESCRIPTION	SETTING	ACTION
S1	BACKUP VAC. SWT.	15" Hg ON THE FALL	BACKUP OPERATION
S2	VACUUM TRANSDUCER	VAC-15PSIG	OPERATION
S3	HIGH DISCH TEMP	1.5-2HP - 250°F	SHUTDOWN

Revised:	Date:	Drawn:	Date:
		JOL	01/09/2014
		Scale: NTS D	
Description: PNEUMATIC DIAGRAM DX 1.5-2HP LUBE VTM V 30G TAE		Part Number: 4107 8554 44 JNC: HOP150382 SHEET: 00 Sheet 1 of 1 DO NOT SCALE THIS DOCUMENT	