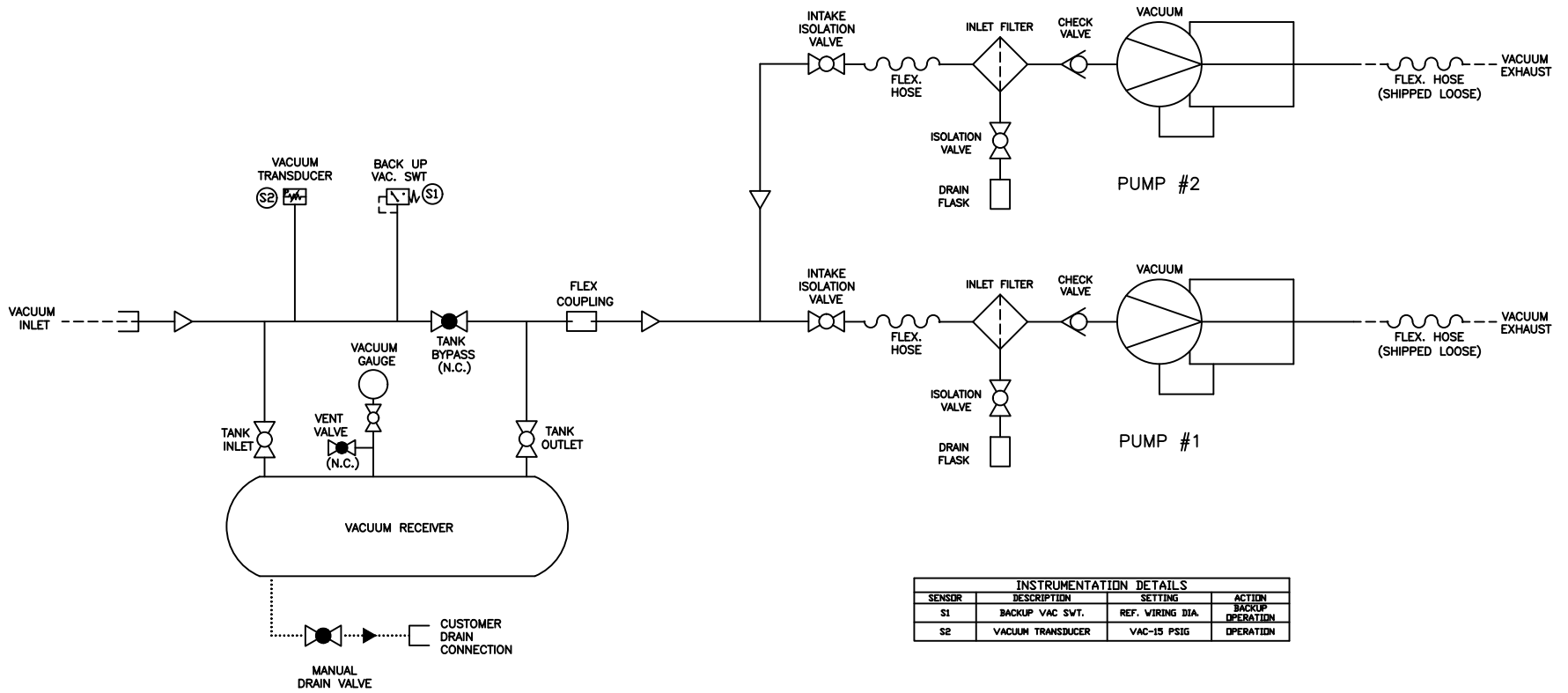
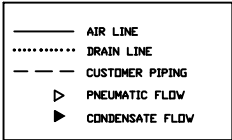


This drawing and the information contained thereon remain the property of BeaconMedics and may not be used for other than the purpose for which it is prepared without the expressed written permission from BeaconMedics Engineering.



INSTRUMENTATION DETAILS			
SENSOR	DESCRIPTION	SETTING	ACTION
S1	BACKUP VAC SWT.	REF. WIRING DIA.	BACKUP OPERATION
S2	VACUUM TRANSDUCER	VAC-15 PSIG	OPERATION

REVISED	DATE	BY	DESCRIPTION	DATE	BY	DESCRIPTION
			This drawing and the information contained thereon remain the property of BeaconMedics and may not be used for other than the purpose for which it is prepared without the expressed written permission from BeaconMedics Engineering.			
Description:		Part Number:		Rev:		
PNEUMATIC DIAGRAM DX		4107 8554 39		01		
1.5-SHP DRY HTM V 80-120G TAE		HOP220060		1		
Sheet 1 of 1		107001 SCALE 1:1				