

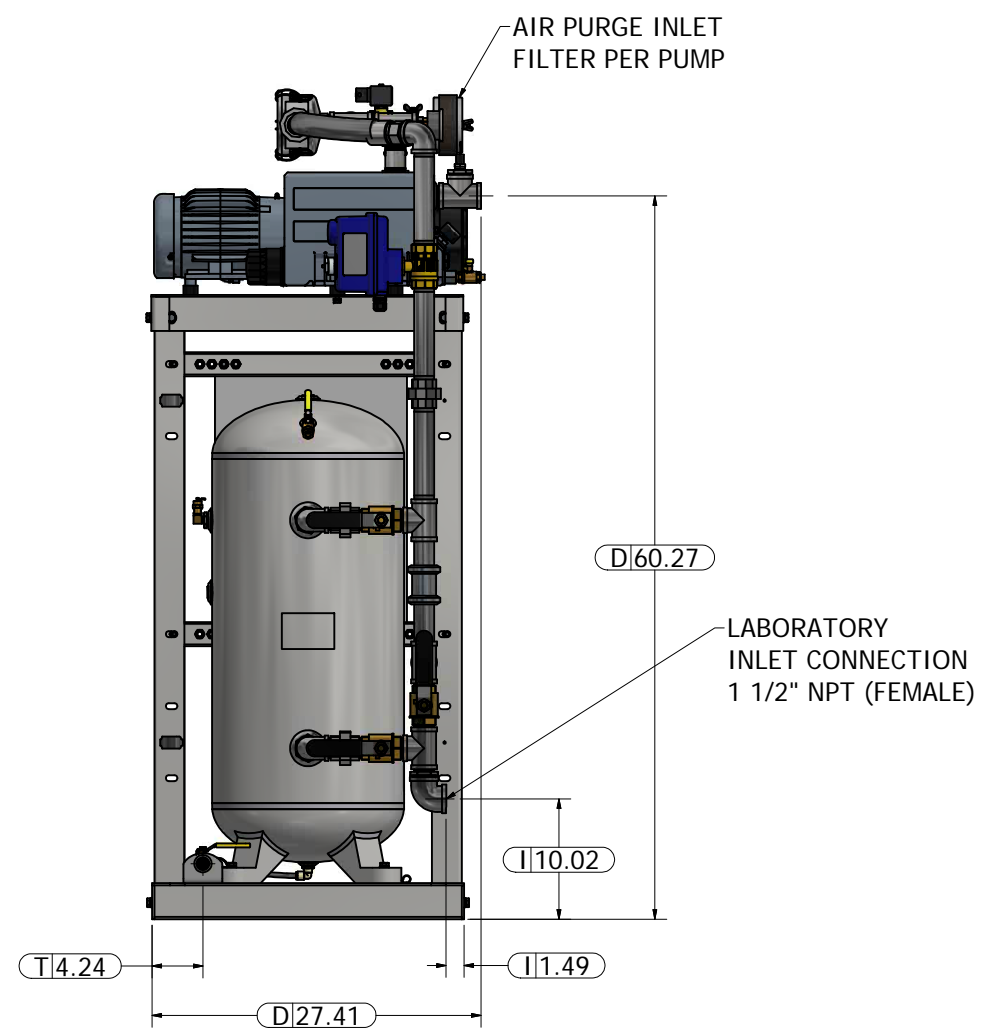
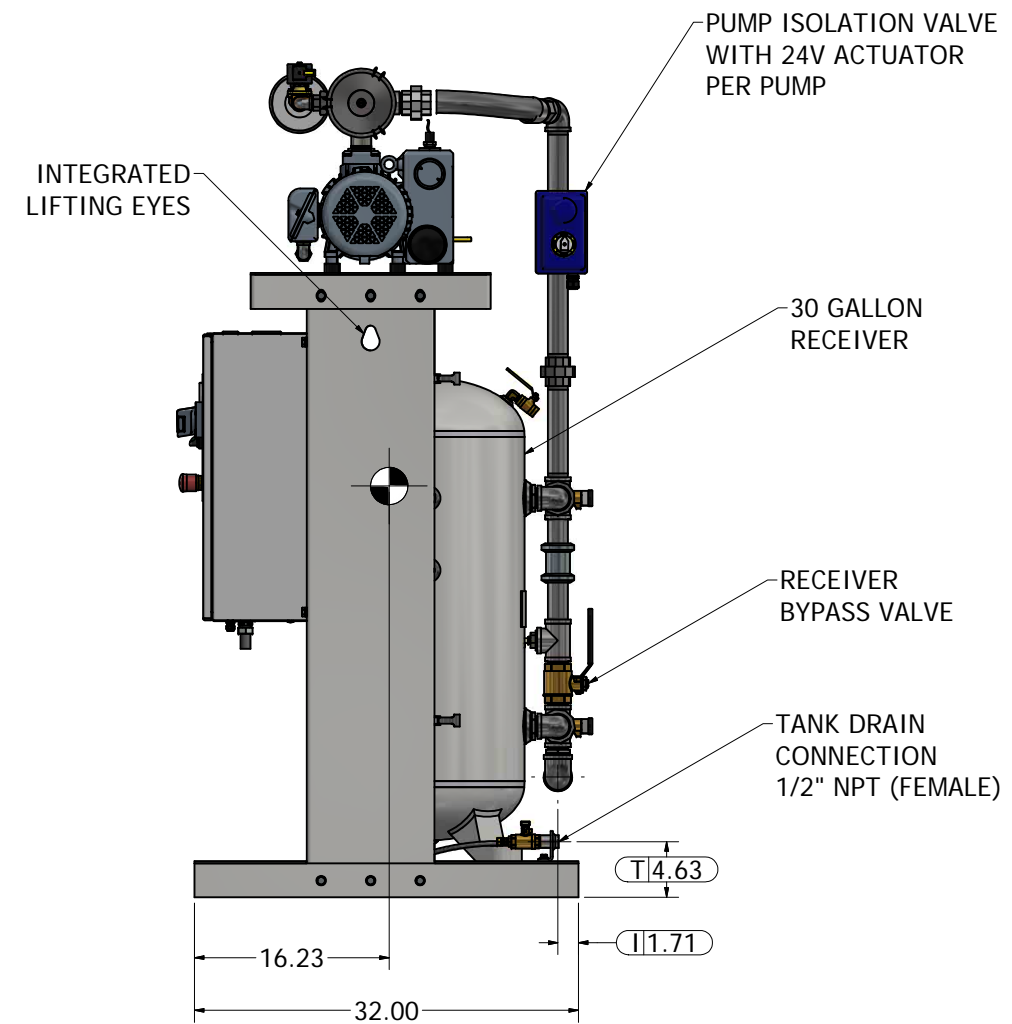
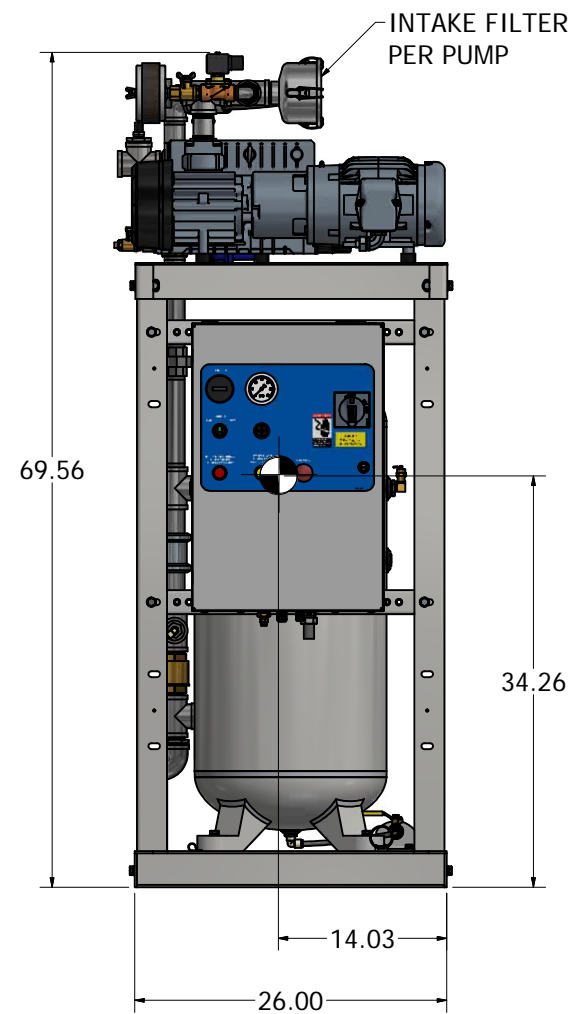
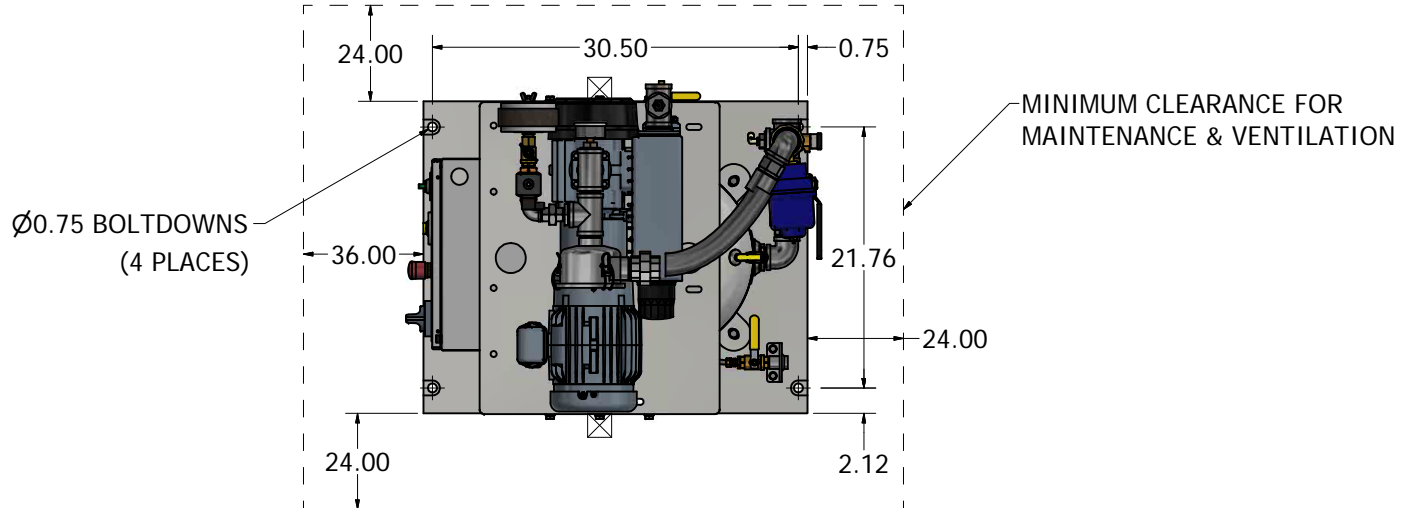





This drawing and the information contained thereon remain the property of BeaconMedas and may not be used for other than the purpose for which it is loaned without the expressed written permission from BeaconMedas Engineering.

Notes:

1. SYSTEM WEIGHT: 498 LB
2.  INDICATES LIFTING POINTS
3.  DENOTES CENTER OF GRAVITY

SYSTEM CONNECTIONS	
ID	DESCRIPTION
I	INLET LOCATION
D	DISCHARGE LOCATION
T	TANK DRAIN



Revised: MDB	Date: 7/26/2021	Drawn: MDB	Date: 11/30/2017
INSPECTION CHECKLIST UNLESS OTHERWISE SPECIFIED:		  ALL ITEMS MARKED BY ONE OF THE ABOVE SYMBOLS ARE TO BE INSPECTED EQUIPMENT TO BE USED DURING RECEIVING INSPECTION SHALL BE PER QUALITY SYSTEM PROCEDURES	
 BEACONMEDES UNLESS OTHERWISE SPECIFIED ALL DIMENSIONS ARE IN INCHES AND TOLERANCES ARE: XX ± .02 XXXY ± .0105 XXXZ ± .005 ANGLES ± .5°		Scale: <b>D</b>	
Description: GENERAL ASSEMBLY SX 2HP LAB LUBE VTM V 30G BASIC		Part Number: 4107 8562 76	
DN: HOP211049		Rev: 01	
Sheet 1 of 1		DO NOT SCALE THIS DOCUMENT	