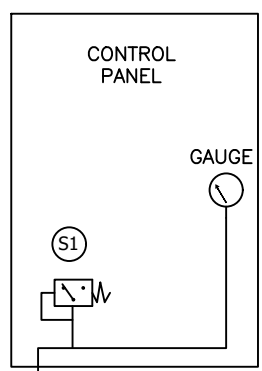
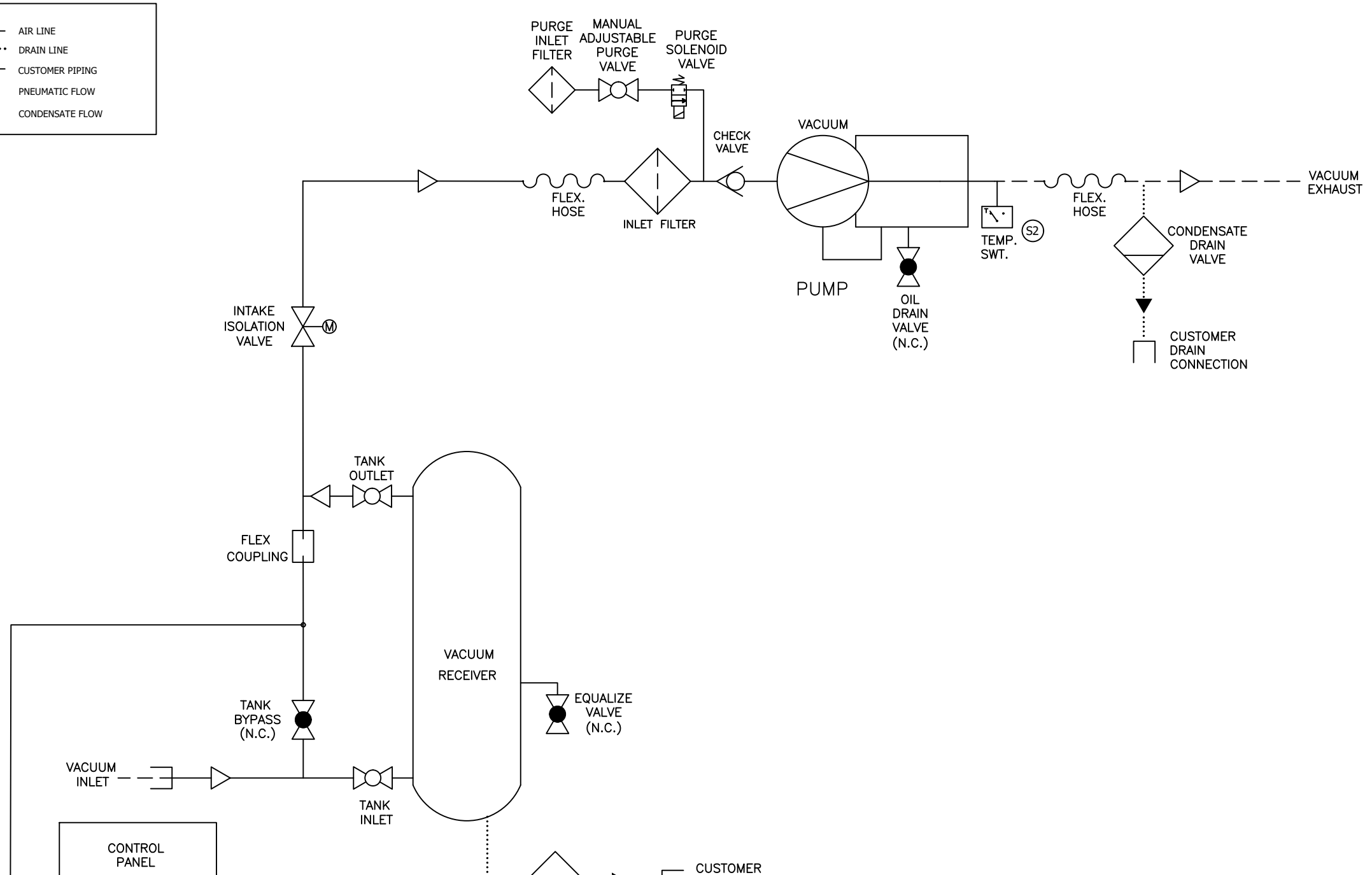
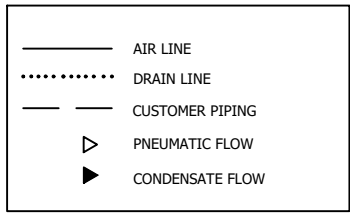


This drawing and the information contained thereon remain the property of BeaconMedas and may not be used for other than the purpose for which it is loaned without the expressed written permission from BeaconMedas Engineering.



INSTRUMENTATION DETAILS			
SENSOR	DESCRIPTION	SETTING	ACTION
S1	LEAD VAC SWT.	REF. WIRING DIA.	OPERATION
S2	HIGH DISCH TEMP SWT.	1.5-2HP - 245°F	SHUTDOWN

Revised:	Date:	Drawn:	Date:
		TAR	12/04/18
		UNLESS OTHERWISE SPECIFIED ALL DIMENSIONS ARE IN INCHES AND TOLERANCES ARE: XX ±.02 XXXX ±.005 ANGLES ±.5°	
Description:		Scale: NTS	
PNEUMATIC DIAGRAM LAB SX 3-5HP LUBE VTM V 80G BASIC		Part Number: 4107 8567 78	
Drawn: HOP180918		Rev: 00	
Sheet 1 of 1		DO NOT SCALE THIS DOCUMENT	