

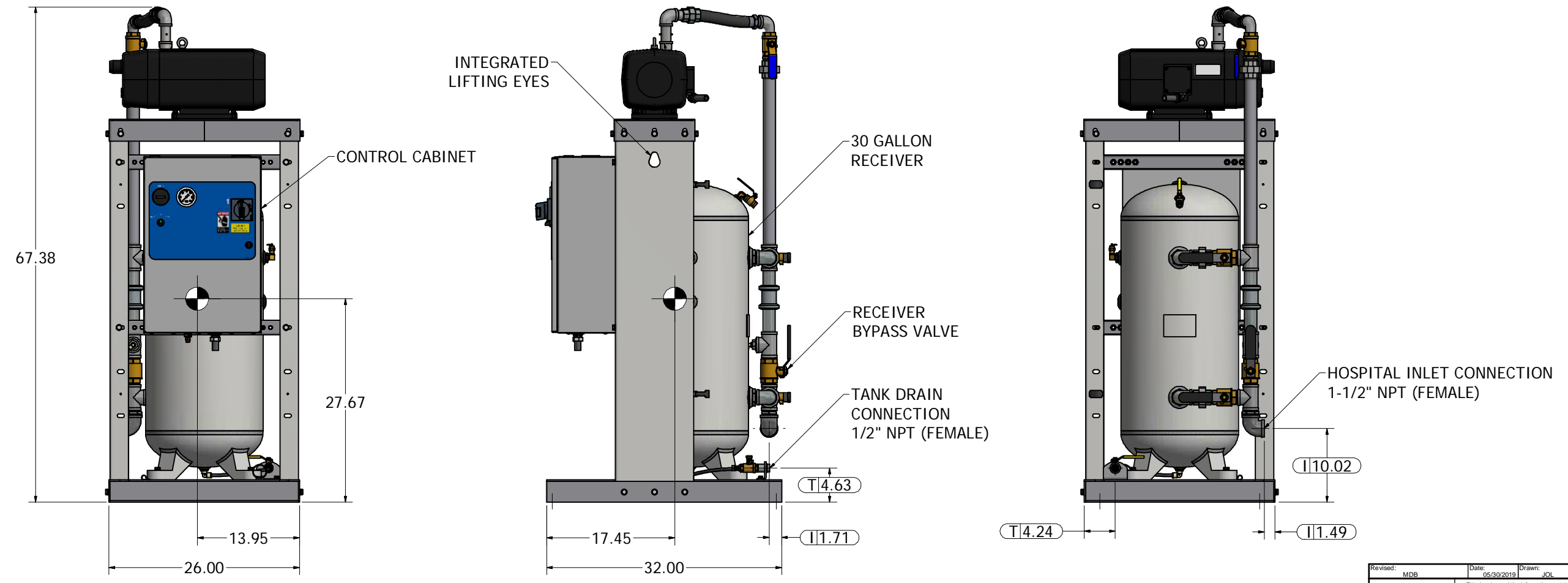
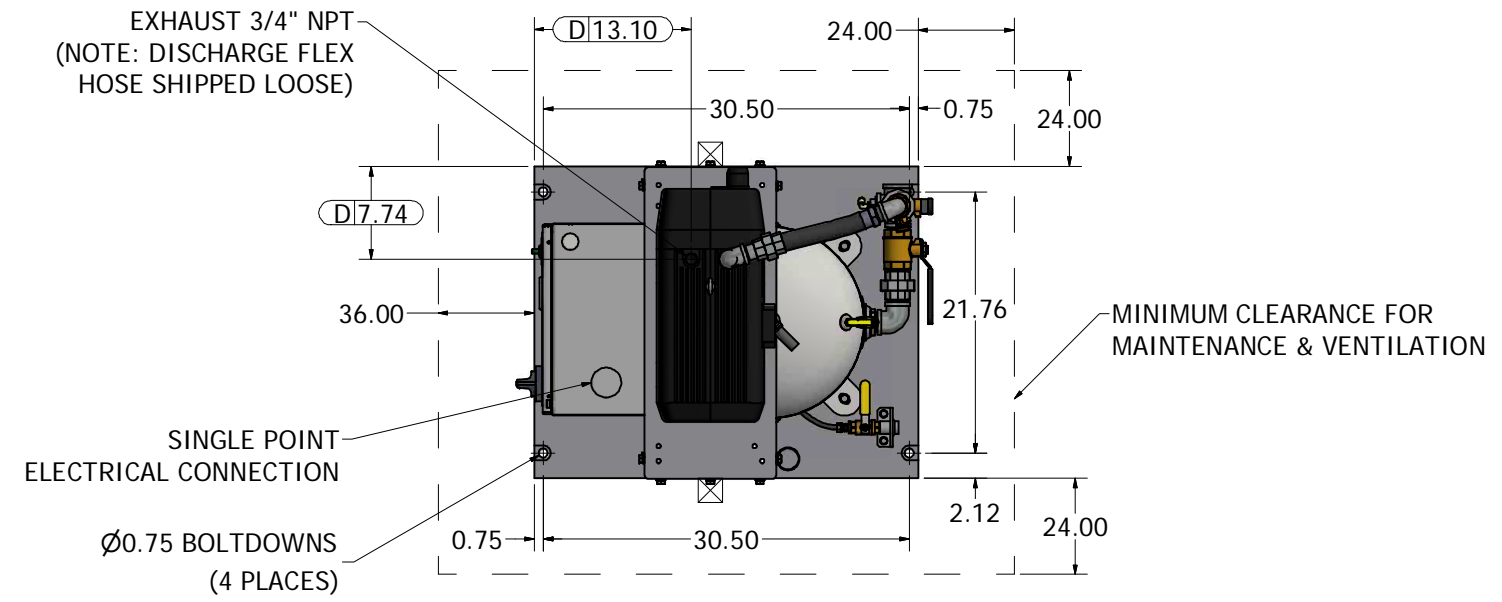



This drawing and the information contained therein remain the property of BeaconMedaes and may not be used for other than the purpose for which it is loaned without the expressed written permission from BeaconMedaes Engineering.

Notes:

1. SYSTEM WEIGHT: 348 LBS
2.  INDICATES LIFTING POINTS
3.  DENOTES CENTER OF GRAVITY

SYSTEM CONNECTIONS	
ID	DESCRIPTION
I	INLET LOCATION
D	DISCHARGE LOCATION
T	TANK DRAIN



Revised: MDB	Date: 05/30/2019	Drawn: JOL	Date: 07/10/2015
		This drawing and the information contained therein remain the property of BeaconMedaes and may not be used for other than the purpose for which it is loaned without the expressed written permission from BeaconMedaes Engineering.	
Description: GENERAL ASSEMBLY SX 1.5HP DRY VTM V 30G BASIC		Part Number: 4107 8553 09	Scale: D
Sheet 1 of 1		Rev: 01	DO NOT SCALE THIS DOCUMENT