

Installation Instructions

Definition of Statements

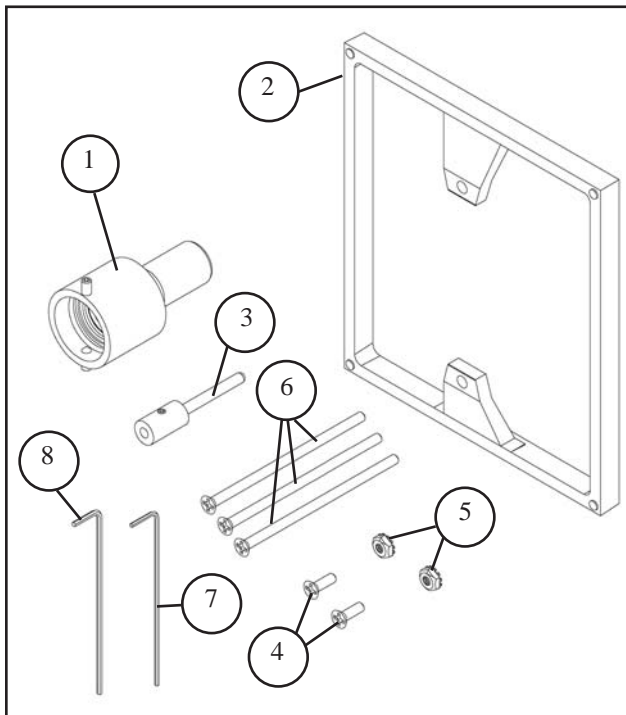
Statements in these instructions preceded by the following words are of special significance.

! WARNING: Means there is a possibility of injury or death to yourself or others.

! CAUTION: Means there is a possibility of damage to unit or other property.

NOTE: Indicates points of particular interest for more efficient and convenient operation.

Kit Contents



Item	Qty	Description
1	1	Extension adapter with seal and set screws
2	1	3/8" Stand-off
3	1	Indexing pin extension with set screw
4	2	#6-32 x 7/16", flat head screw
5	2	#6-32 Keps® nut
6	3	#6-32 x 3", flat head screw
7	1	.050" hex key wrench
8	1	1/16" hex key wrench

Required Tools

Tape Measure or Ruler
 Philips Type Screw Driver

Installation

Step 1: Initial Preparation

Measure wall depth from outlet rough-in to finished wall surface (Figure 1).



Figure 1

- If wall depth is between 1-1/4" and 1-3/4", 3/8" stand-off will be required for proper installation.
- If wall depth is over 1-3/4" discard stand-off.
- Maximum wall depth cannot exceed 2-1/8".

Installation

Step 2: Assemble Extension Adapter to Latch Valve

Remove adapter from poly bag and install onto latch valve (Figure 2).

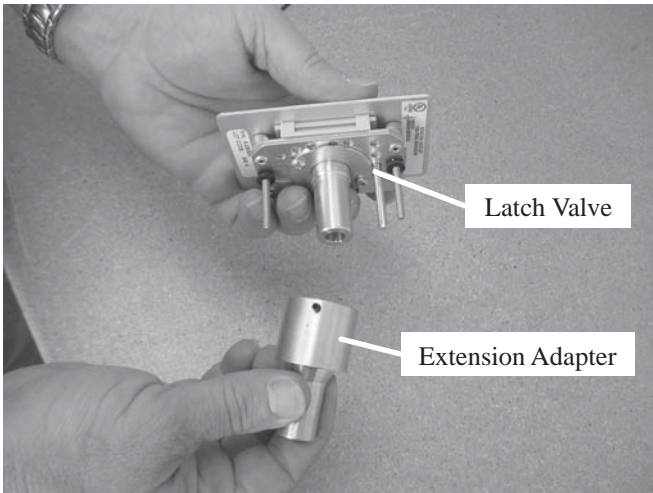


Figure 2

Push extension adapter fully onto latch valve and tighten two set screws with 1/16" hex key wrench (Figure 3).

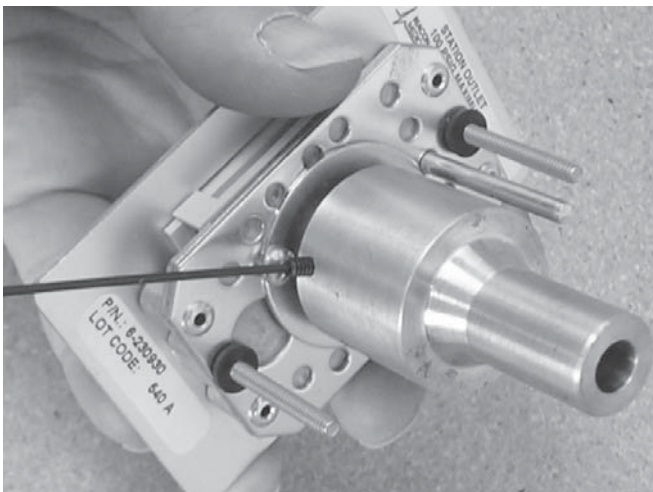


Figure 3

Step 3: Assemble Indexing Pin Extension to Latch Valve

Remove indexing pin extension from poly bag. Slide indexing pin extension pin fully onto latch valve indexing pin (Figure 4).

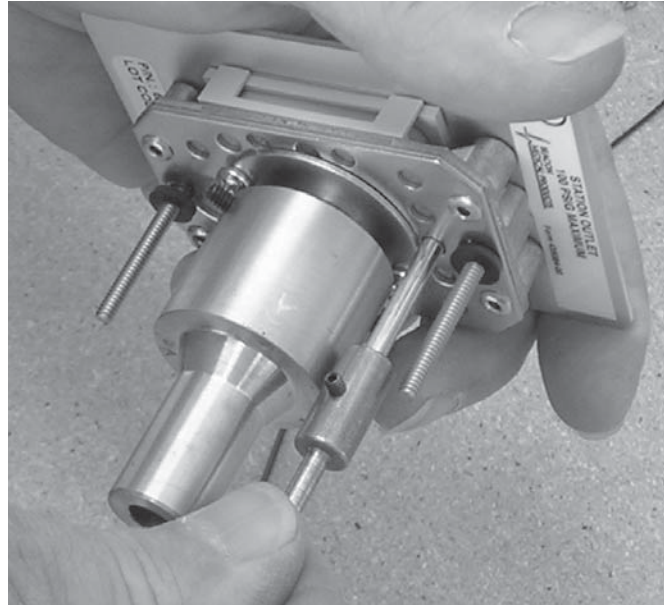


Figure 4

Securely tighten set screw with .050 hex key wrench (Figure 5).



Figure 5

NOTE:

Verify indexing pin extension is not protruding more than 1/4" beyond end of extension adapter.

Installation

Step 4: Assemble 3/8" Stand-off and Latch Valve Trim Plate.

Remove 3/8" stand-off from poly bag and assemble to trim plate as shown (Figure 6).

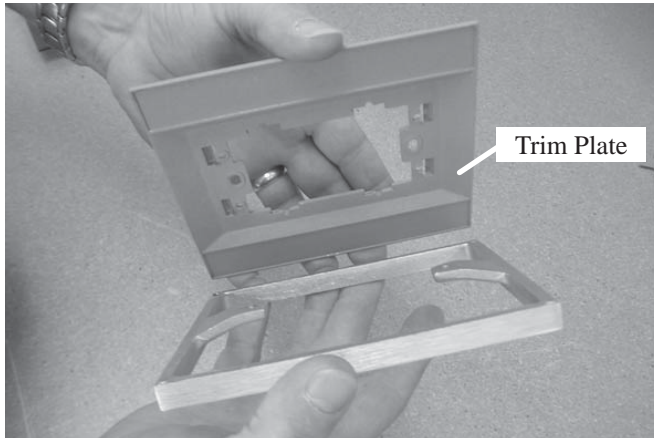


Figure 6

Using (2) #6-32 x 7/16" screws and Keps® nuts provided, securely fasten trim plate to stand-off (Figures 7 and 8).

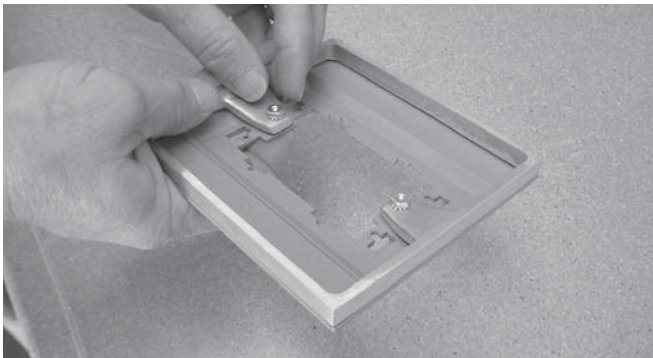


Figure 7

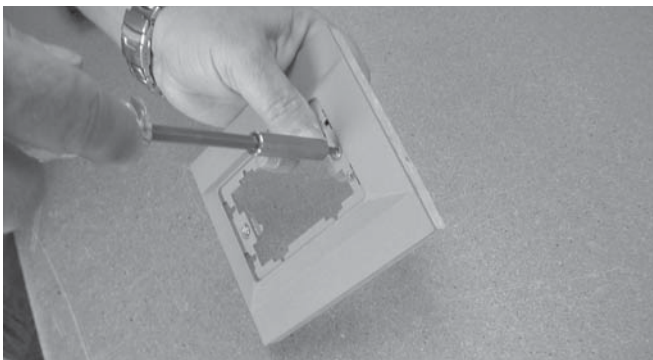


Figure 8

Step 5: Replace Existing Latch Valve screws with #6-32 x 3" screws provided in Kit (Figure 9)

Completed latch valve should appear as shown (Figure 10).

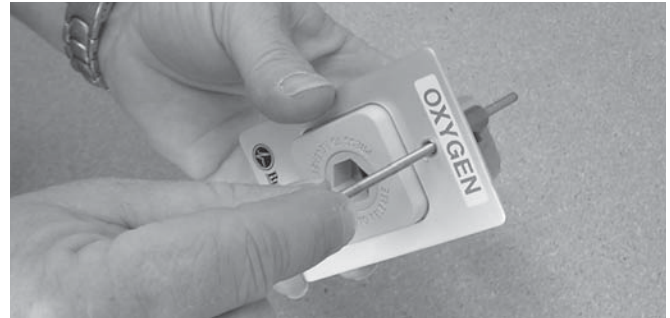


Figure 9

Insert Latch Valve through opening in trim plate and insert into Rough-In using two screws to secure in place.

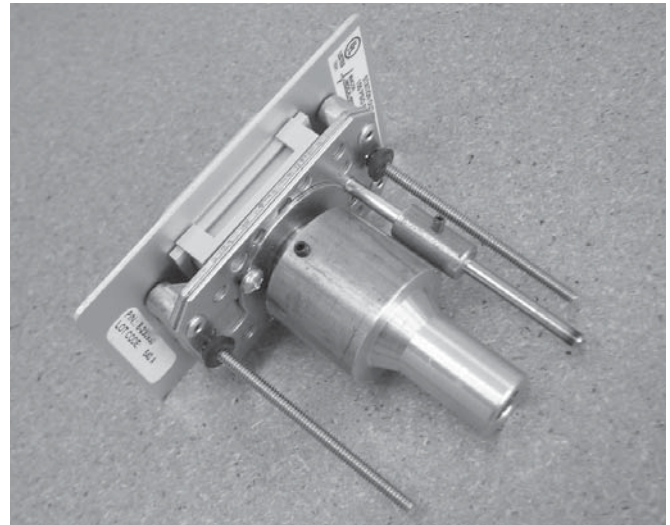


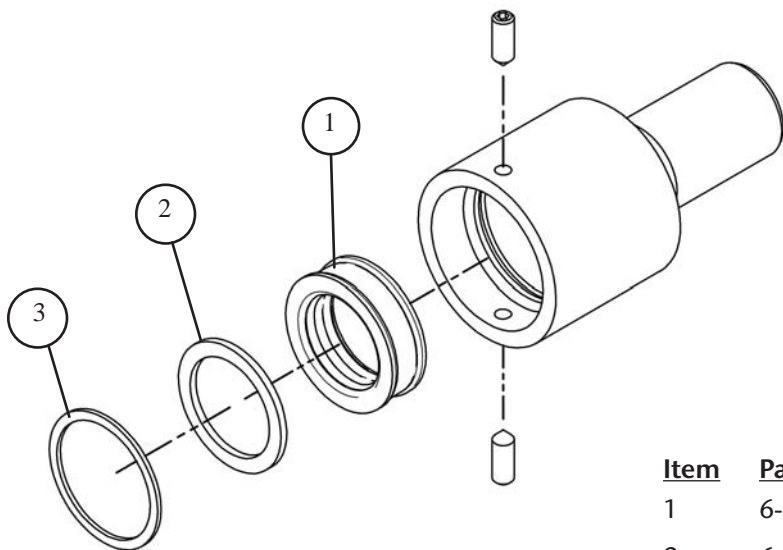
Figure 10

! WARNING:

All systems must be inspected for proper gas service, operation and leakage prior to putting into service. It is the responsibility of installer to verify gas service and proper functioning of medical gas/vacuum assembly.

Illustrated Parts List

Extension Valve Adapter Repair Components



<u>Item</u>	<u>Part No.</u>	<u>Description</u>
1	6-415037-PG	Seal (Pkg of 10)
2	6-655028-PG	Washer (Pkg of 10)
3	6-835900-PG	Retaining Ring (Pkg of 10)