

VACUUM SWITCH SETTINGS

ALTITUDE	VS-1	VS-2	VS-3	VS-4	RELIEF VALVE SETTING
0-3000'	20-23"Hg	18-21"Hg	16-19"Hg	15-18"Hg	25"Hg
3001-4000'	19-22"Hg	17-20"Hg	15-18"Hg	14-17"Hg	24"Hg
4001-5000'	18-21"Hg	16-19"Hg	15-18"Hg	14-17"Hg	23"Hg
5001-6000'	17-20"Hg	16-19"Hg	15-18"Hg	14-17"Hg	22"Hg
6001-7000'	17-20"Hg	16-19"Hg	15-18"Hg	14-17"Hg	21"Hg

TRANSFORMER SIZING CHART

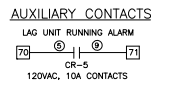
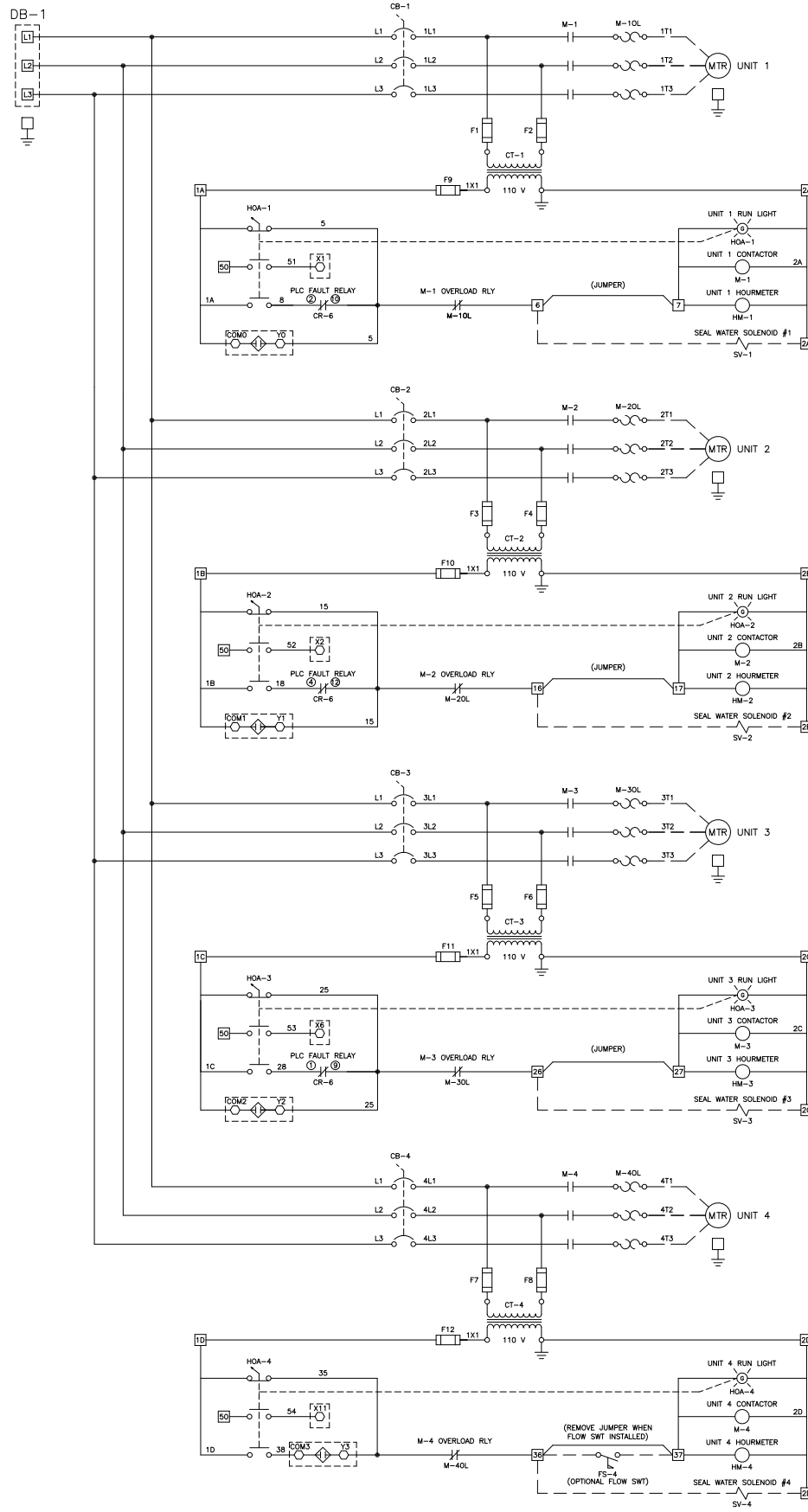
HP	208 V	230 V	460 V	575 V
3-25	100 VA	100 VA	100 VA	100 VA
30	250 VA	100 VA	100 VA	100 VA
50	250 VA	250 VA	250 VA	250 VA

208-575 VOLTS  
3 $\phi$   
60 HZ

MAIN BRANCH DISCONNECT PROVIDED BY OTHER

--- INDICATES FIELD WIRING OUTSIDE OF BOX

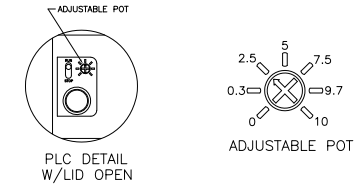
FIELD WIRING TO BE COPPER WIRE RATED FOR 75° C MINIMUM



(LAG CONTACTS CR-5 CLOSED DURING NORMAL OPERATION)

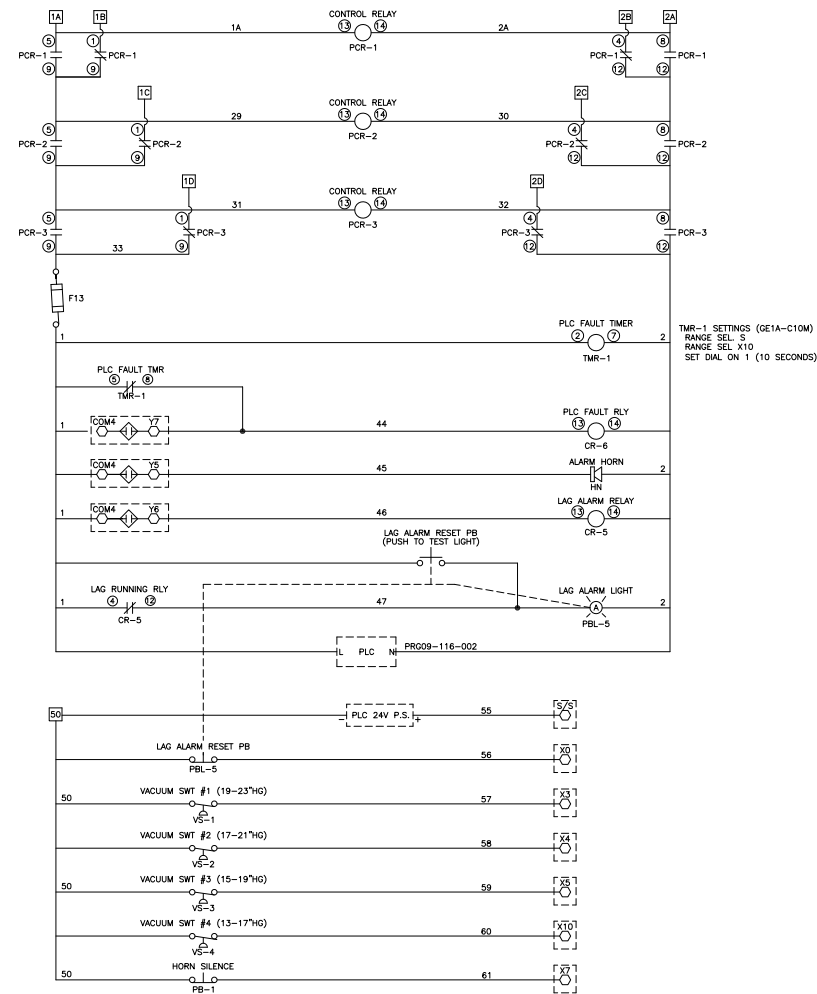
NOTE: AUXILIARY CONTACTS 70-71 ARE "CLASS 1 CONTROL CIRCUITS, USE CLASS 1 CONDUCTORS" ALL OTHERS ARE, "CLASS 2 CONTROL CIRCUITS, USE CLASS 2 CONDUCTORS"

NOTE: ADJUSTABLE MINIMUM RUN TIMER IS PROVIDED IN THE PLC PROGRAM (SEE PLC DETAIL FOR ADJUSTING POT AND CHART FOR CORRECT SETTINGS).



MINIMUM RUN TIMER SETTINGS

HP	SETTING
3-15	2.5
20-30	5
50	10



INDIVIDUAL MOTOR FULL LOAD AMPERES

HP	208 V	230 V	460 V	575 V
3 HP	10.8 AMPS	9.4 AMPS	4.7 AMPS	3.8 AMPS
5 HP	16.6 AMPS	14.4 AMPS	7.2 AMPS	5.8 AMPS
7.5 HP	24.7 AMPS	21.5 AMPS	10.7 AMPS	8.6 AMPS
10 HP	30.8 AMPS	26.8 AMPS	13.4 AMPS	10.7 AMPS
15 HP	47.6 AMPS	41.4 AMPS	20.7 AMPS	16.5 AMPS
20 HP	60.7 AMPS	52.8 AMPS	26.4 AMPS	21.1 AMPS
25 HP	75.4 AMPS	65.6 AMPS	32.8 AMPS	26.2 AMPS
30 HP	90.6 AMPS	78.8 AMPS	39.4 AMPS	31.5 AMPS
50 HP	135.3 AMPS	123.0 AMPS	62.0 AMPS	46.0 AMPS

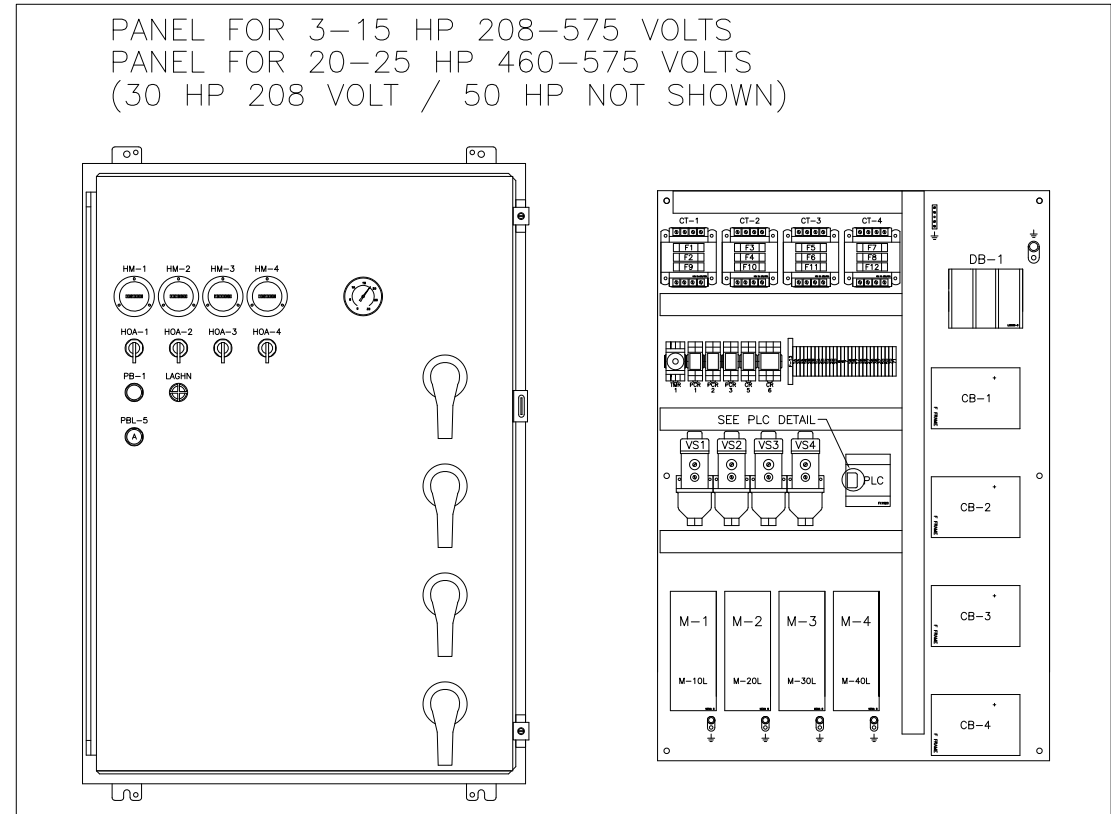
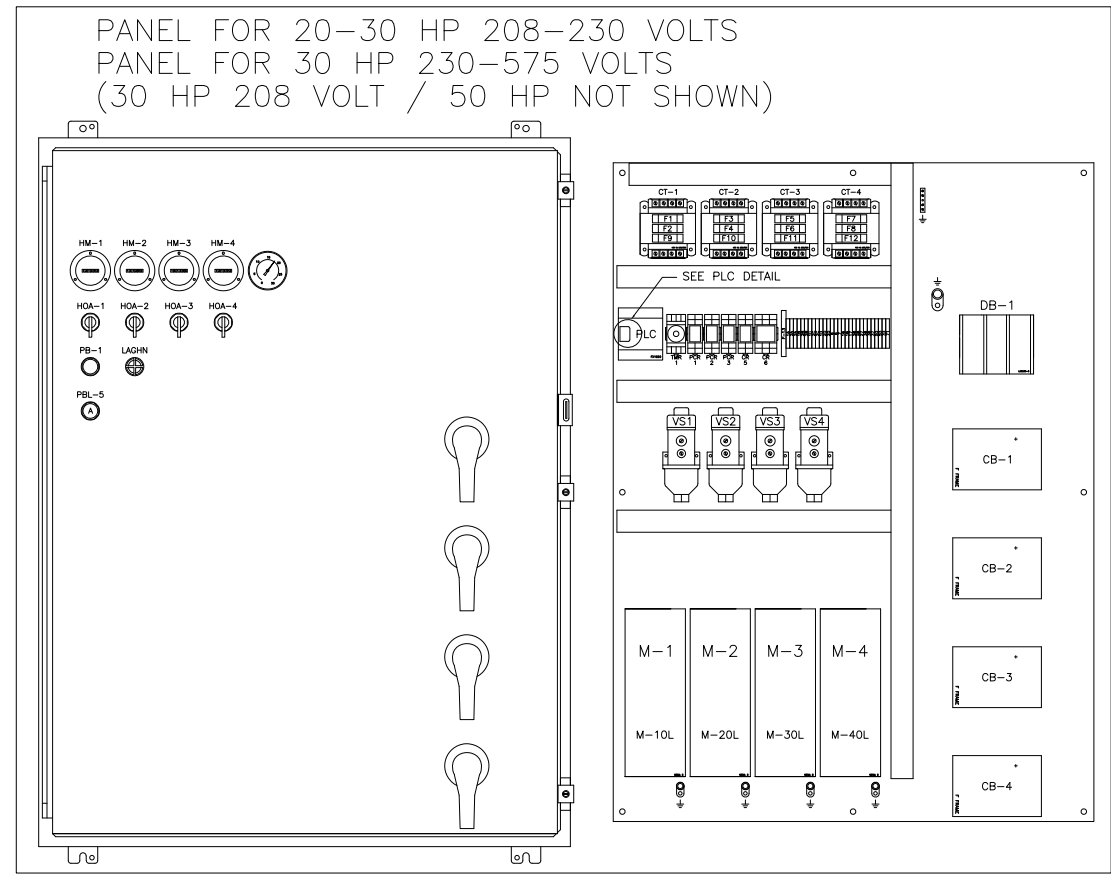
QUADRUPEX SYSTEM FULL LOAD AMPERES

HP	208 V	230 V	460 V	575 V
3 HP	46 AMPS	40 AMPS	20 AMPS	16 AMPS
5 HP	69 AMPS	60 AMPS	31 AMPS	24 AMPS
7.5 HP	101 AMPS	88 AMPS	44 AMPS	36 AMPS
10 HP	126 AMPS	110 AMPS	55 AMPS	44 AMPS
15 HP	193 AMPS	168 AMPS	84 AMPS	67 AMPS
20 HP	245 AMPS	213 AMPS	107 AMPS	86 AMPS
25 HP	304 AMPS	264 AMPS	132 AMPS	106 AMPS
30 HP	368 AMPS	317 AMPS	159 AMPS	127 AMPS
50 HP	547 AMPS	498 AMPS	251 AMPS	187 AMPS

FUSE SELECTION CHART (MAX FUSE SIZES SHOWN)

HP	FUSE	208 V	230 V	460 V	575 V
3-25	F1/F2/F3/F4	1.6 AMPS	1.4 AMPS	0.6 AMPS	0.5 AMPS
	F5/F6/F7/F8	1.6 AMPS	1.4 AMPS	0.6 AMPS	0.5 AMPS
30	F9/F10/F11/F12	1.25 AMPS	1.25 AMPS	1.25 AMPS	1.25 AMPS
	F1/F2/F3/F4	3.5 AMPS	1.4 AMPS	0.6 AMPS	0.5 AMPS
50	F5/F6/F7/F8	3.5 AMPS	1.4 AMPS	0.6 AMPS	0.5 AMPS
	F9/F10/F11/F12	3.5 AMPS	3.5 AMPS	1.6 AMPS	1.25 AMPS
3-50	F13	0.7 AMP	0.7 AMP	0.7 AMP	0.7 AMP

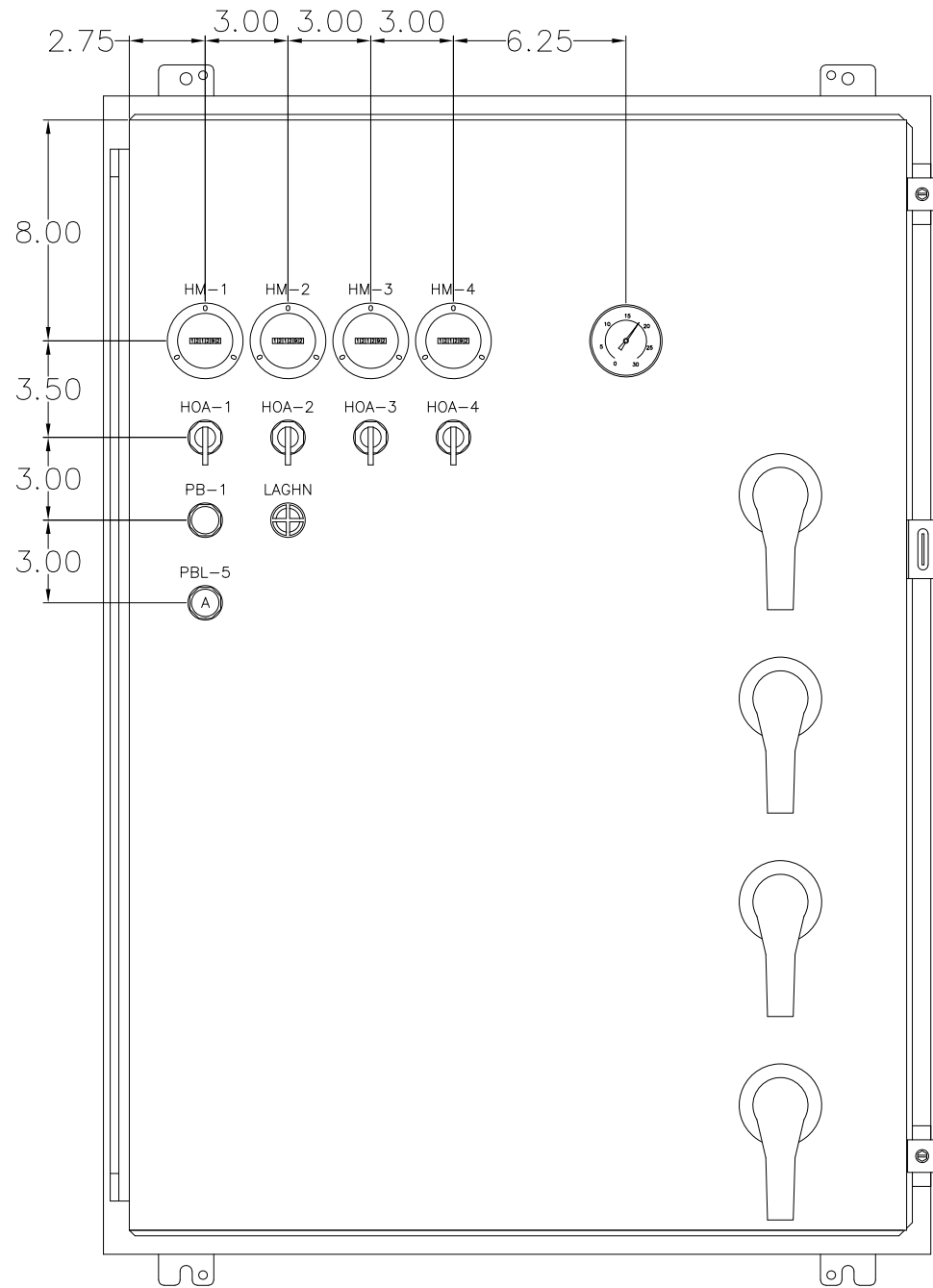
F1-F8 ARE LITTELFUSE KLDR 600V TYPE  
F9-F12 ARE LITTELFUSE FLM 250V TYPE  
F13 ARE LITTELFUSE 2AG 250V TYPE



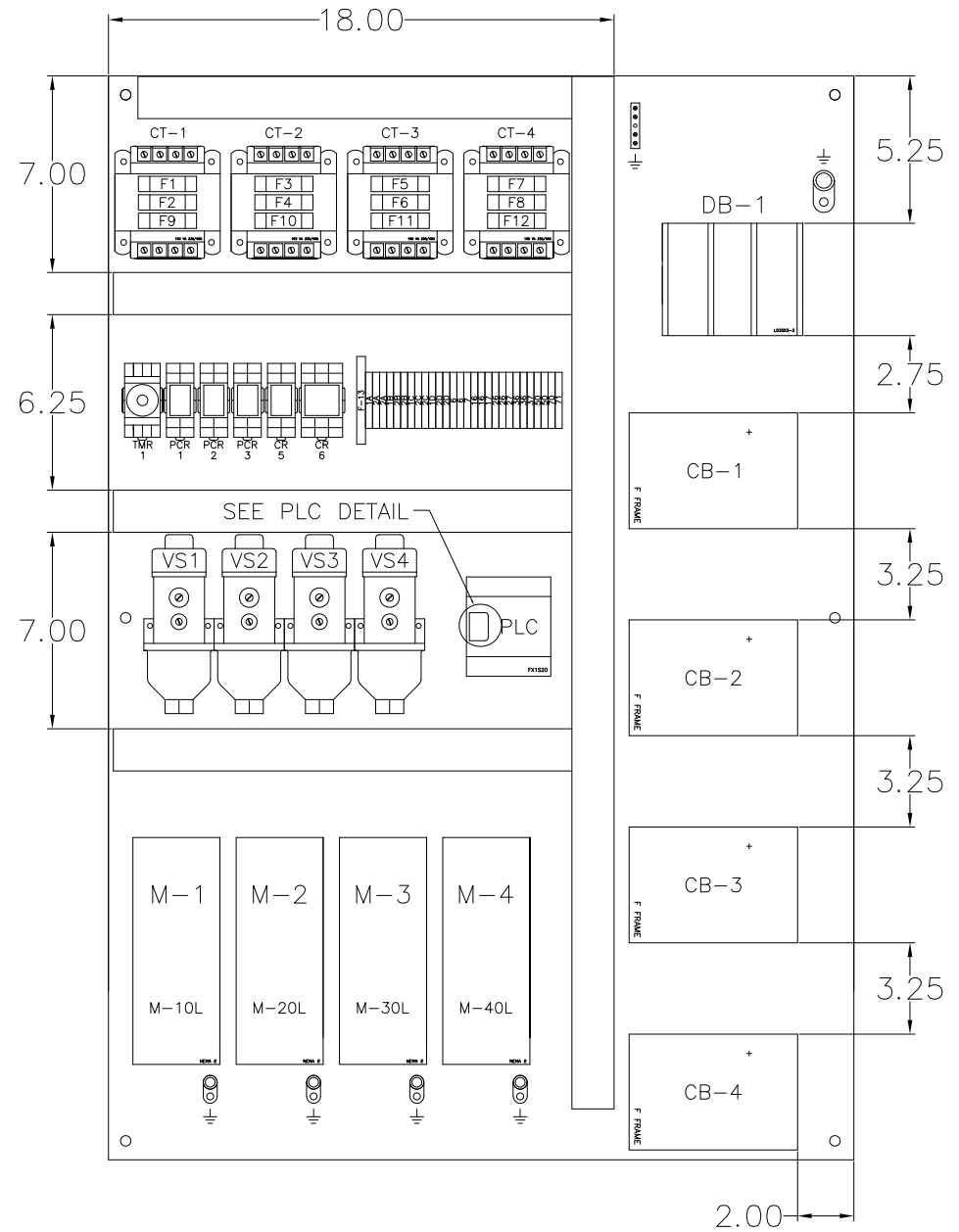
TITLE  
QUADRUPEX LIQUID RING VACUUM  
3-50 HP 208/230/460/575 VOLTS

DESIGNED BY T. HORNBUCKLE	DATE 10/2/00	This drawing and the information contained therein remain the property of BeaconMedes and may not be used for other than the purpose for which it is loaned without the expressed written permission from BeaconMedes Engineering.
CHECKED BY GTM	DATE 07/19/18	
REVISIONS SCALE NTS	DRAWING NO. DIA 02 554	REV. N

PANEL FOR 3-10 HP 208-575 VOLTS  
 PANEL FOR 15 HP 460 VOLTS  
 PANEL FOR 20-25 HP 460-575 VOLTS



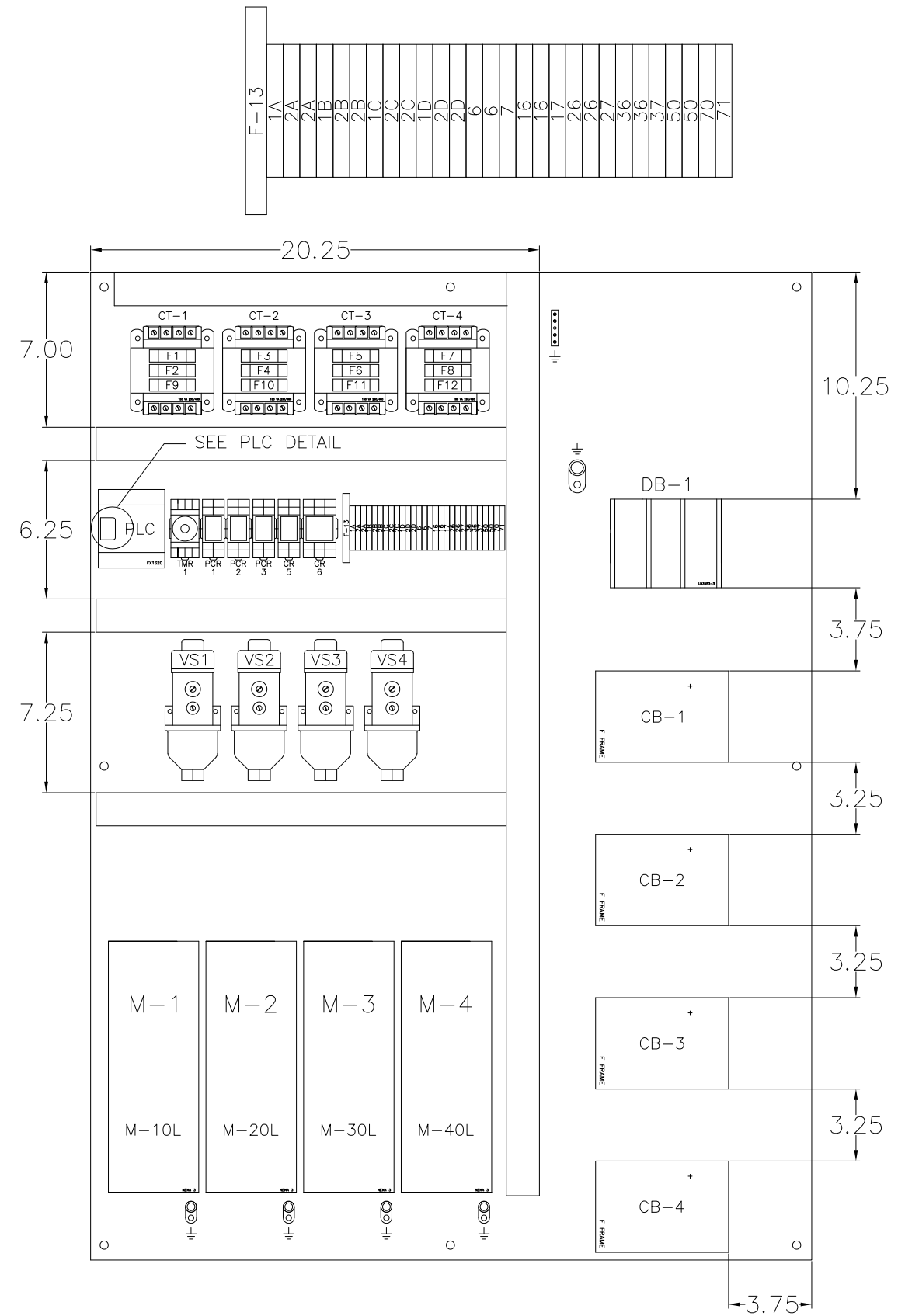
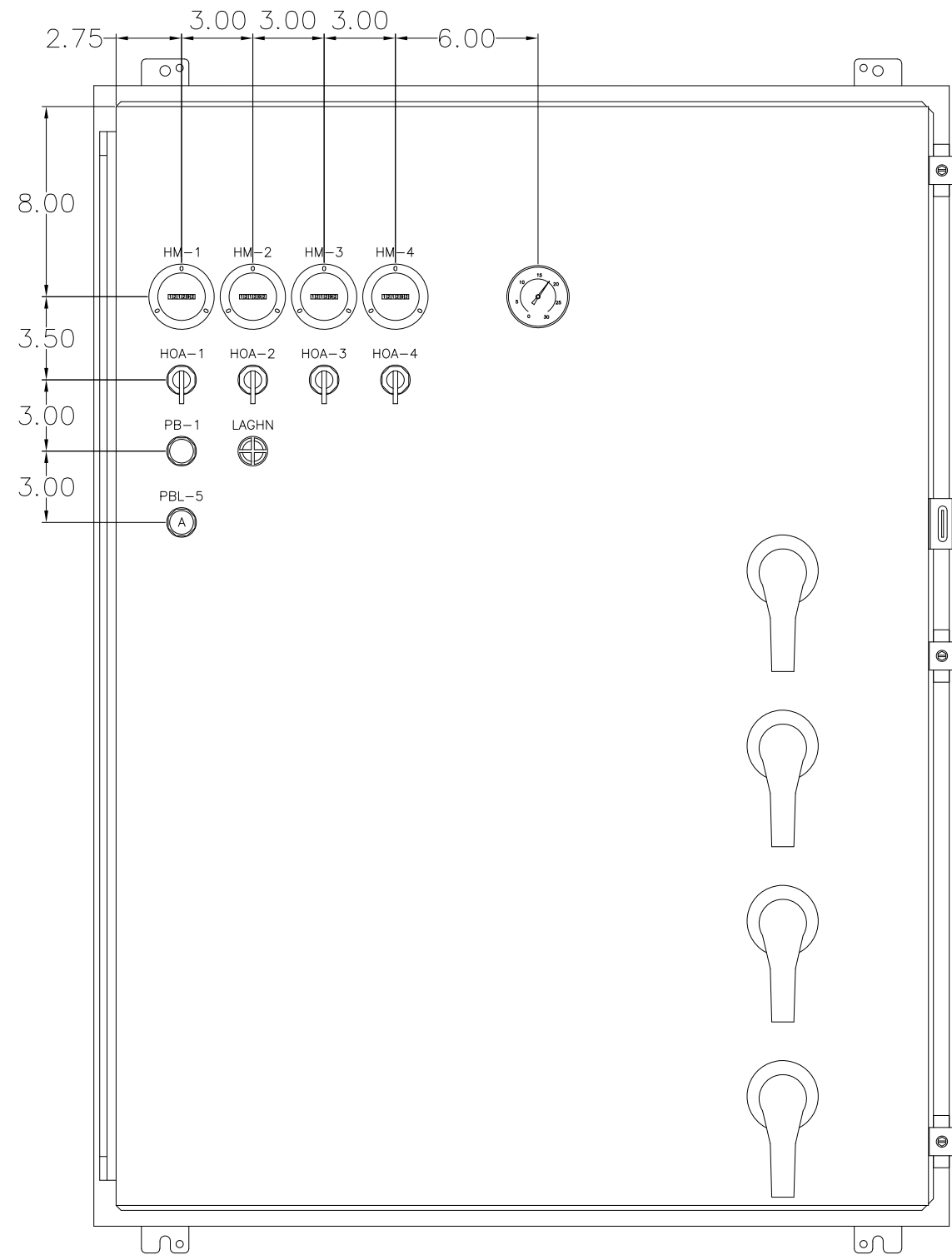
F-13
1A
2A
2A
1B
2B
2B
1C
2C
2C
1D
2D
2D
6
6
7
16
16
17
26
26
27
36
36
37
50
50
70
71



CONTROL PANEL LAYOUT

DRAWING NO.	REV.
DIA 02 554	N

PANEL FOR 15-25 HP 208-230 VOLTS  
 PANEL FOR 30 HP 230-575 VOLTS



CONTROL PANEL LAYOUT

DRAWING NO.  
 DIA 02 554

REV.  
 N

FOR 30 HP 208 VOLTS  
FOR 50 HP 208-575 VOLTS

