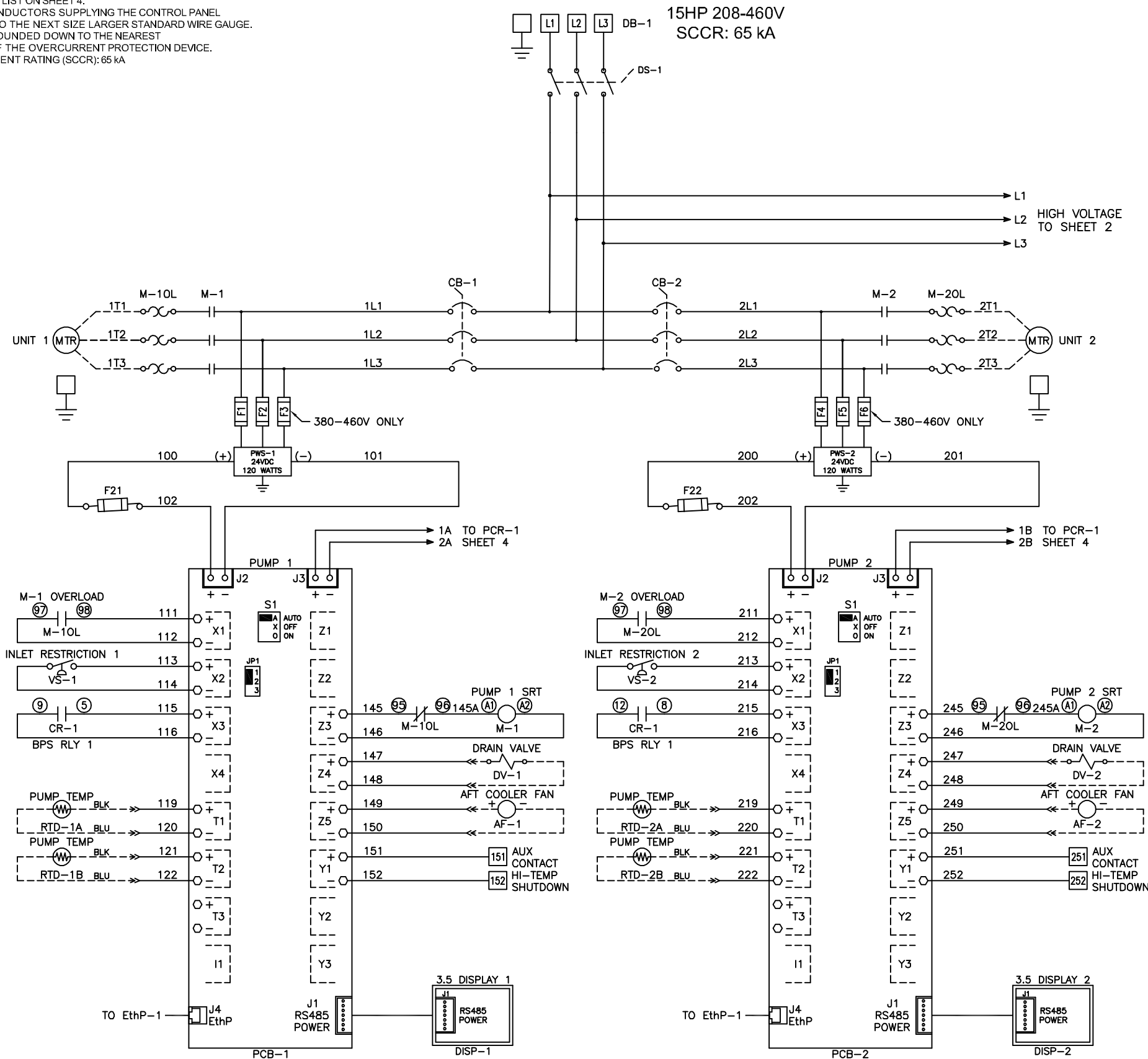


Notes:

1. MAIN DISCONNECT PROVIDED BY OTHER.
2. FIELD WIRING TO BE COPPER RATED FOR 75°C MINIMUM.
3. - - - - INDICATES FIELD WIRING OUTSIDE OF CABINET.
4. AUXILIARY CONTACTS LIST ON SHEET 4.
5. THE AMPACITY OF CONDUCTORS SUPPLYING THE CONTROL PANEL TO BE ROUNDED UP TO THE NEXT SIZE LARGER STANDARD WIRE GAUGE.
6. MOP VALUES TO BE ROUNDED DOWN TO THE NEAREST STANDARD RATING OF THE OVERCURRENT PROTECTION DEVICE.
7. SHORT CIRCUIT CURRENT RATING (SCCR): 65 kA



MINIMUM CIRCUIT AMPACITY (MCA)

SYSTEM HP	208 V	230 V	380 V	460 V
15 HP	246.9 AMPS	224.4 AMPS	144.9 AMPS	112.8 AMPS

MAXIMUM OVERCURRENT PROTECTION (MOP)

SYSTEM HP	208 V	230 V	380 V	460 V
15 HP	288.8 AMPS	262.5 AMPS	168.8 AMPS	131.3 AMPS

PENTAPLEX SYSTEM FULL LOAD AMPERES

SYSTEM HP	208 V	230 V	380V/50Hz	460 V
15 HP	183.5 AMPS	178.2 AMPS	105.0 AMPS	89.6 AMPS

INDIVIDUAL FULL LOAD AMPERES

SYSTEM HP	208 V	230 V	380V/50Hz	460 V
15 HP	38.0 AMPS	35.0 AMPS	20.5 AMPS	17.5 AMPS

FUSE SELECTION CHART (MAX FUSE SIZES SHOWN)

SYSTEM HP	FUSES	208 V	230 V	380 V	460 V
ALL	F1/F2/F4/F5 F7/F8/F10 F11/F13/F14	6.0 AMPS	6.0 AMPS	6.0 AMPS	6.0 AMPS
	F3/F6/F9 F12/F15	---	---	6.0 AMPS	6.0 AMPS
	F21-F25	4.0 AMPS	4.0 AMPS	4.0 AMPS	4.0 AMPS
	F31/F32 F33/F34	1.0 AMP	1.0 AMP	1.0 AMP	1.0 AMP
	F35	0.5 AMP	0.5 AMP	0.5 AMP	0.5 AMP

F1-F15 ARE LITTELFUSE KLDK 600V TYPE
F21-F25/F31-F35 ARE LITTELFUSE 2AG 250V TYPE

DEFAULT PUMP PSI SETTINGS

PUMP SEQUENCE	PSI
LEAD CUT-OFF	110
LAG CUT-ON	85

BACKUP PRESSURE SWT SETTINGS

BPS-1 CUT-OFF	PSI
BPS-1 CUT-ON	80

PUMP/DRYER PCB JUMPER/SWT SETTINGS

JPR/SWT	POSITION
JP1	1-2
S1	A (AUTO)

AUTO OPERATION:

DURING NORMAL OPERATION, THE MASTER PCB WILL SIGNAL THE LEAD COMPRESSOR TO START WHEN THE PRESSURE FALLS BELOW THE SET-POINT FOR THE LEAD PUMP. IF ONE PUMP CAN CARRY THE LOAD, THE PRESSURE WILL RISE TO 110 PSI. THE MASTER PCB WILL THEN SIGNAL THE PUMP PCB TO TURN OFF THE LEAD COMPRESSOR. WHEN THE SYSTEM PRESSURE DROPS AGAIN BELOW THE LEAD SET-POINT, THE MASTER PCB WILL SIGNAL THE LEAD ROLE TO THE NEXT COMPRESSOR AND IT WILL START. IF ANY LEAD COMPRESSOR RUNS FOR MORE THAN 17 MINUTES AND CANNOT REACH 110 PSI, THE MASTER PCB WILL TURN OFF THE COMPRESSOR THAT IS RUNNING AND SEQUENCE TO THE NEXT COMPRESSOR. IF DURING OPERATION THE PRESSURE FALLS BELOW 85 PSI, THE LAG COMPRESSOR WILL START AND A LAG ALARM WILL OCCUR.

PUMP PCB S1 POSITION:

POSITION (A) - AUTO (DEFAULT):

THE PUMP WILL OPERATE NORMALLY AS DESCRIBED ABOVE IN "AUTO OPERATION".

POSITION (X) - OFF:

THE PUMP IS DISABLED FROM RUNNING.

POSITION (O) - MANUAL:

THE PUMP WILL START AND STOP ON THE BACK UP PRESSURE SWITCH (BPS-1).

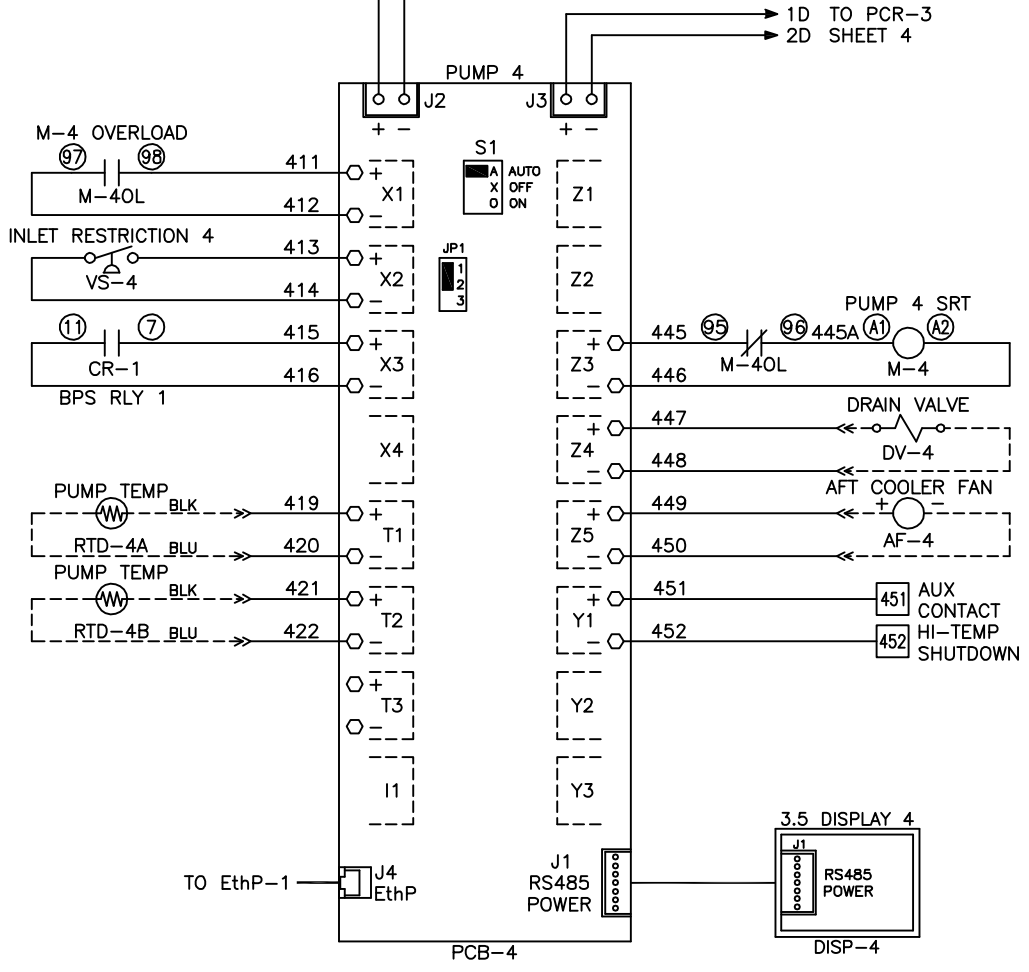
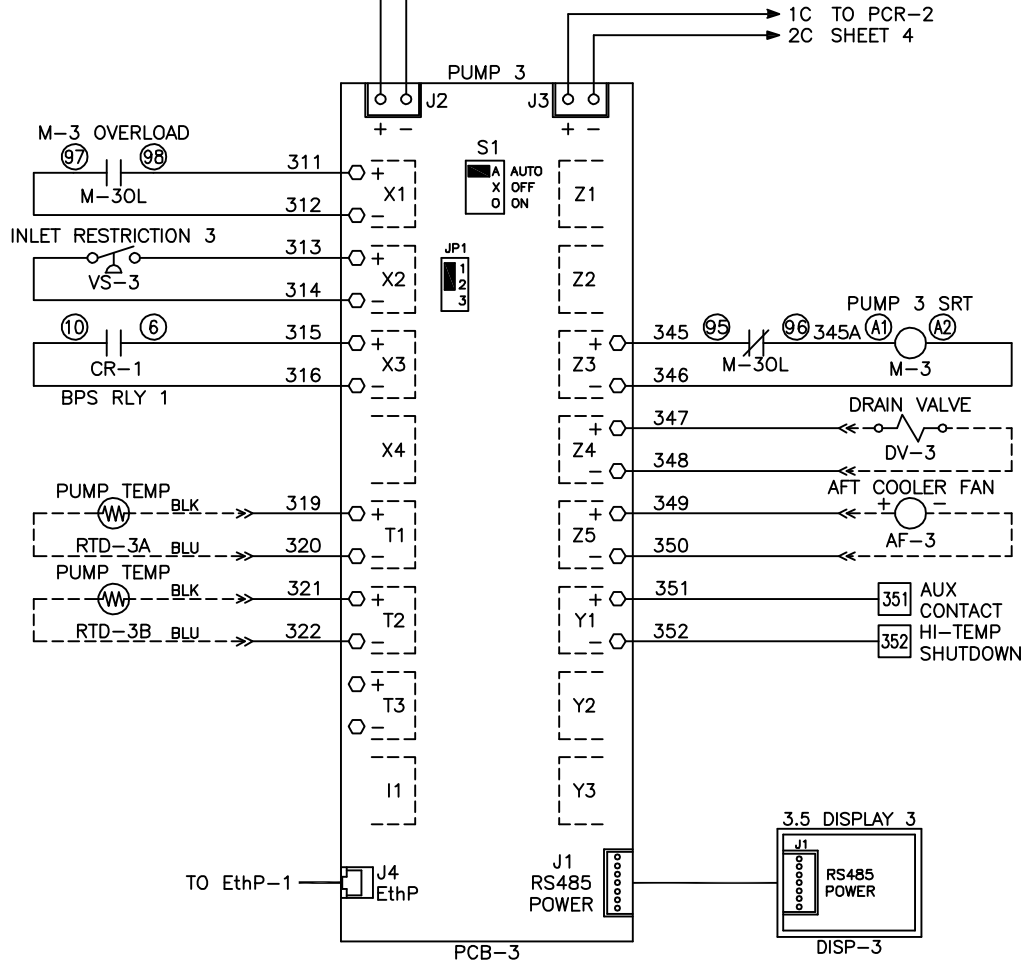
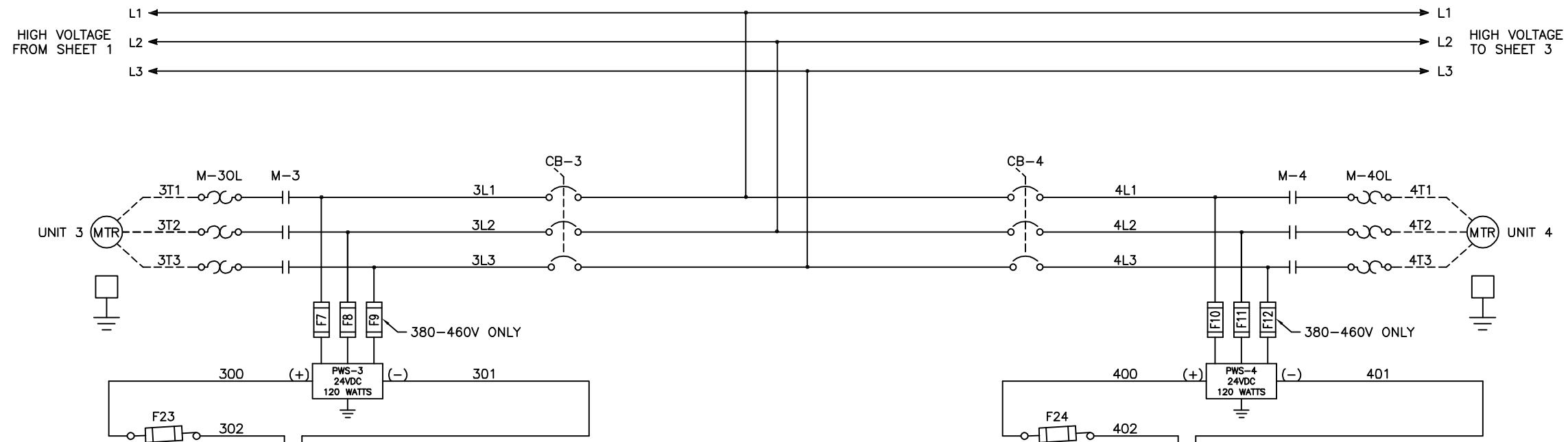
PCB FAULT:

IF A PUMP PCB ETHERNET FAULT OR A TRANSDUCER FAULT OCCURS, THE PUMP PCB WILL AUTOMATICALLY SWITCH TO MANUAL MODE. COMPRESSORS WILL START WHEN BPS-1 (BACKUP PRESSURE SWITCH) CLOSES AND STOP WHEN IT OPENS. COMPRESSORS WILL NOT SEQUENCE IN THIS CONDITION AND CAN OPERATE UNTIL THE ETHERNET OR TRANSDUCER FAULT IS REPAIRED.

Revised:	Date:	Drawn:	MDB	Date:	10/30/18
		This drawing and the information contained therein remain the property of Beacon Medias and may not be used for other than the purpose for which it is issued without the expressed written permission from Beacon Medias Engineering.			
Description: DWG WIRING CONTROL PX SCROLL 15HP 208-460V/3/50-60, 65kA		Part Number: 4107 8568 31		Scale: NTS D	
Drawn: HOP 180863		Rev: 00		Sheet 1 of 4 DO NOT SCALE THIS DOCUMENT	

Notes:

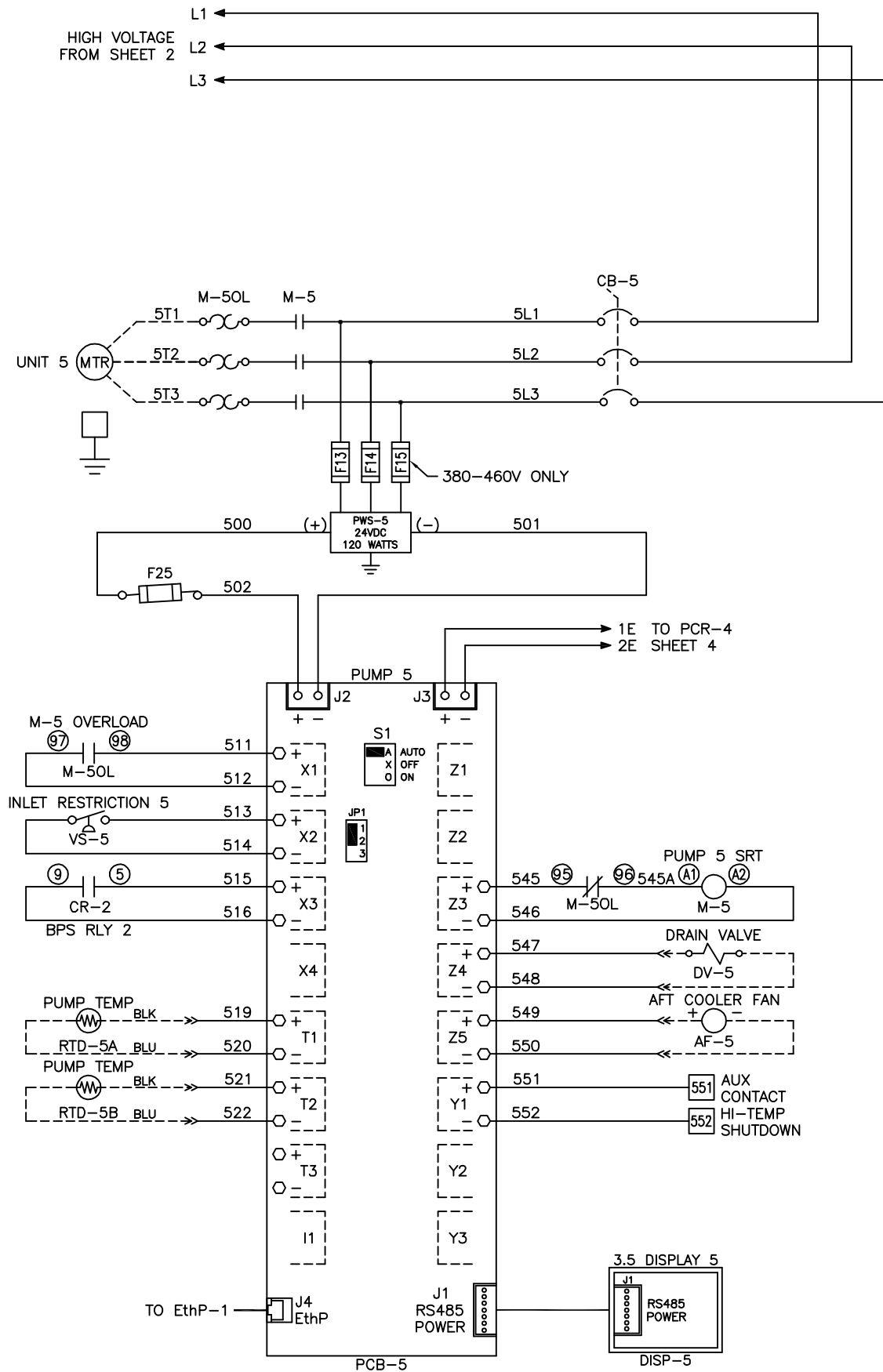
1. FIELD WIRING TO BE COPPER RATED FOR 75°C MINIMUM.



Revised:	Date:	Drawn:	MDB	Date:	10/30/18
		<small>This drawing and the information contained herein remain the property of Beacon Medical and may not be used for other than the purpose for which it is loaned without the expressed written permission from Beacon Medical Engineering.</small>			
DWG WIRING CONTROL PX SCROLL 15HP 208-460/3/50-60, 65KA		Part Number: 4107 8568 31		Scale: NTS	
Sheet 2 of 4		Rev: 00		DO NOT SCALE THIS DOCUMENT	

Notes:

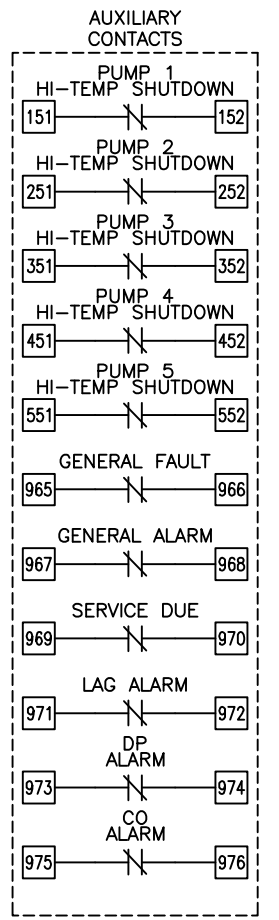
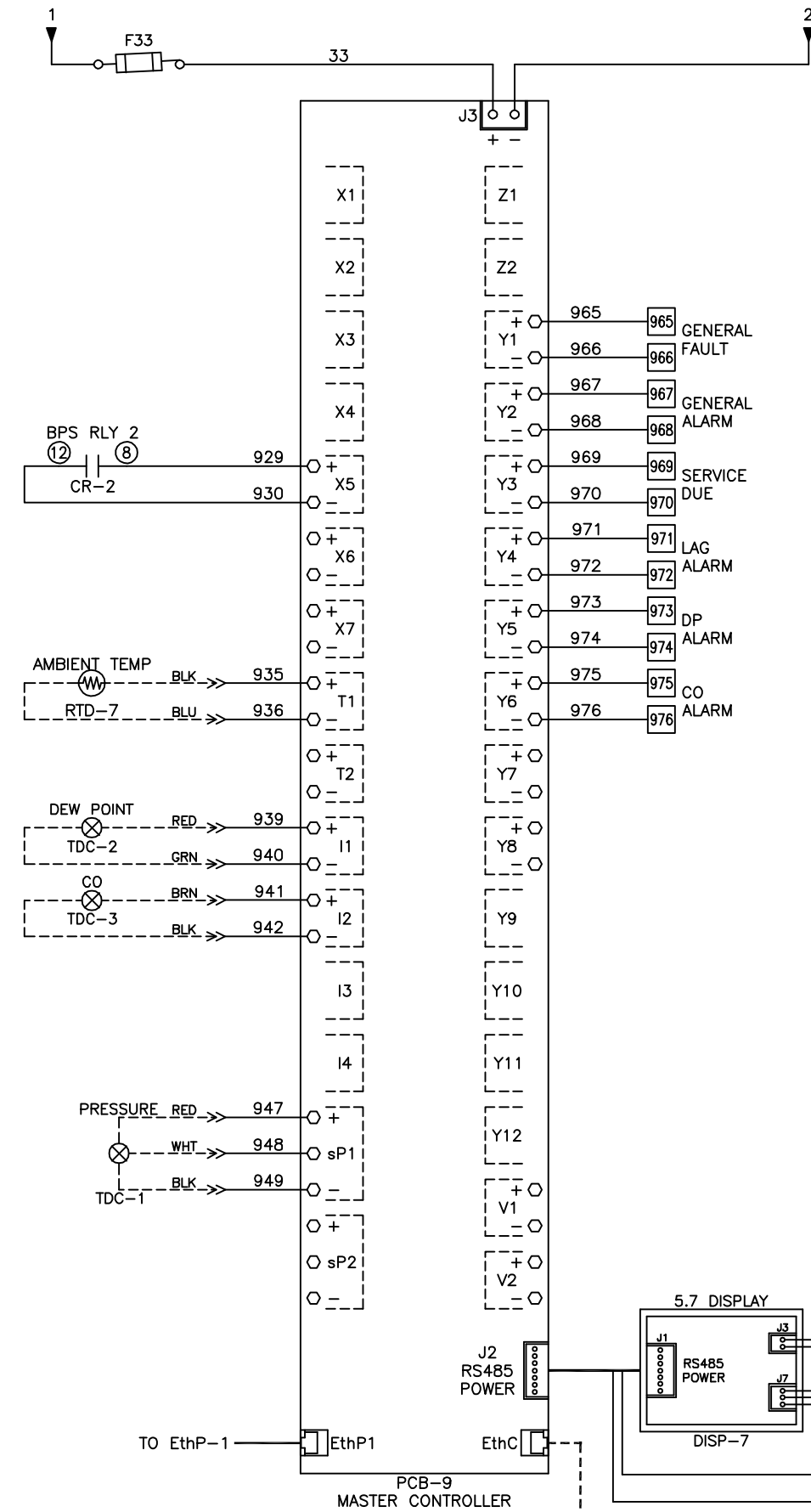
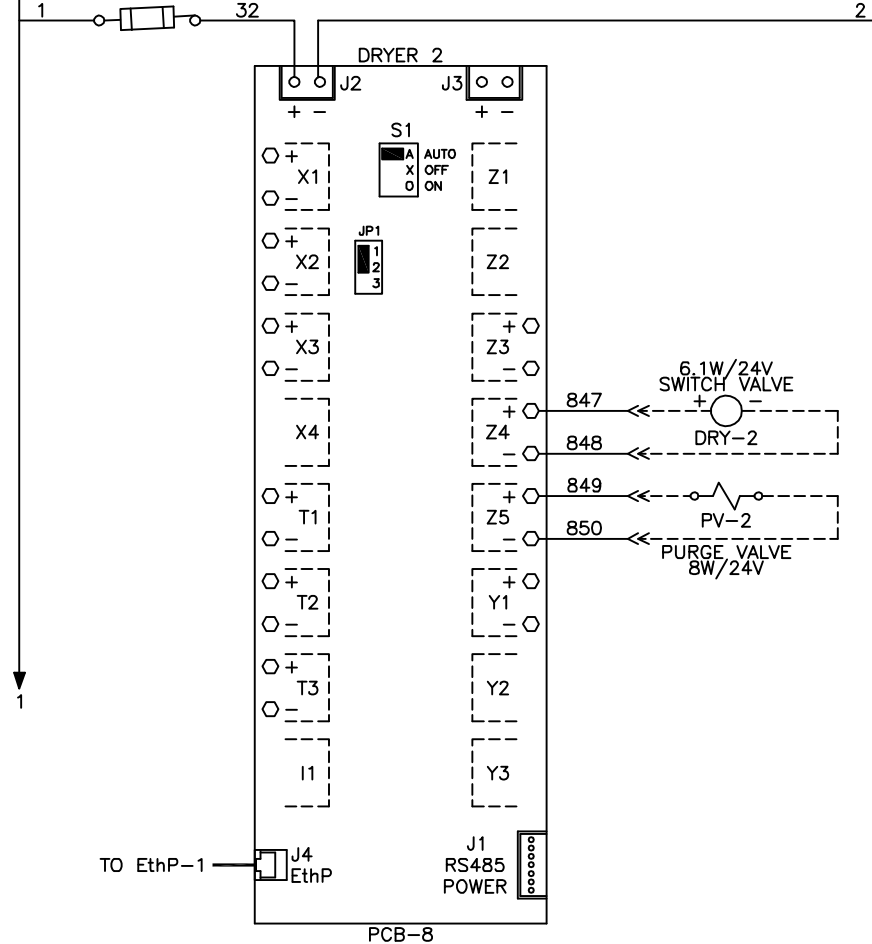
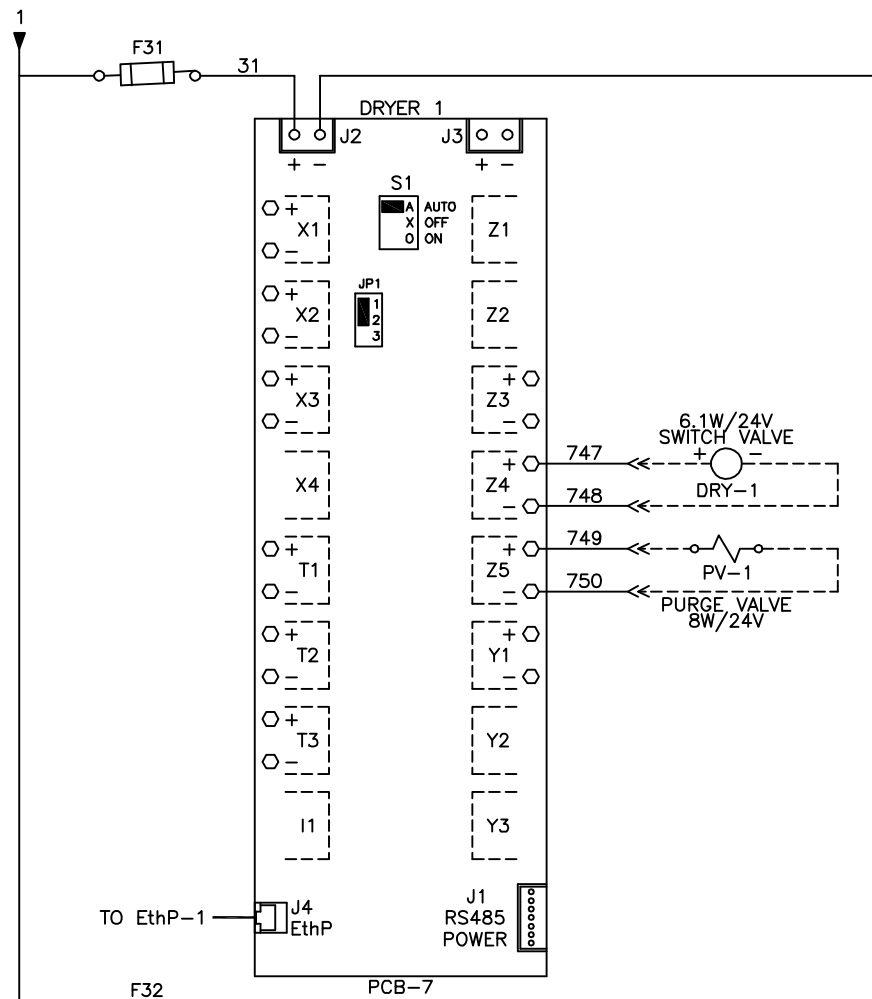
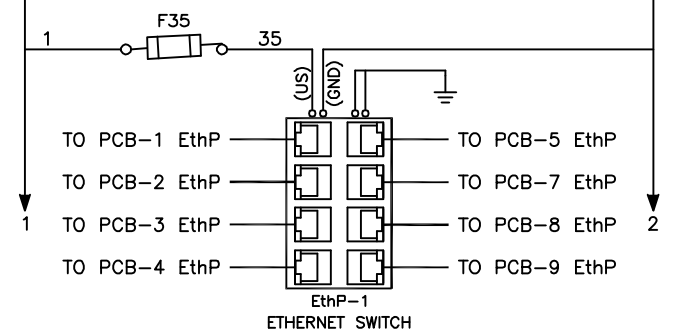
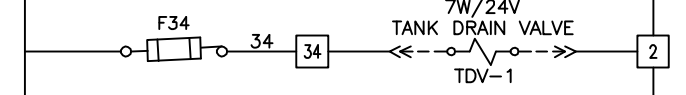
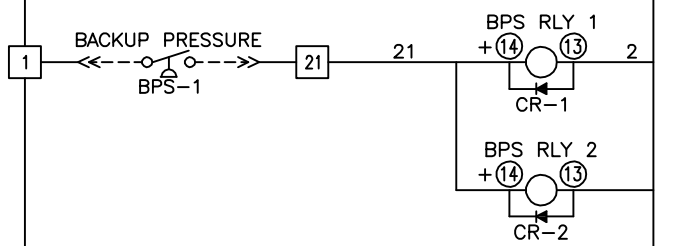
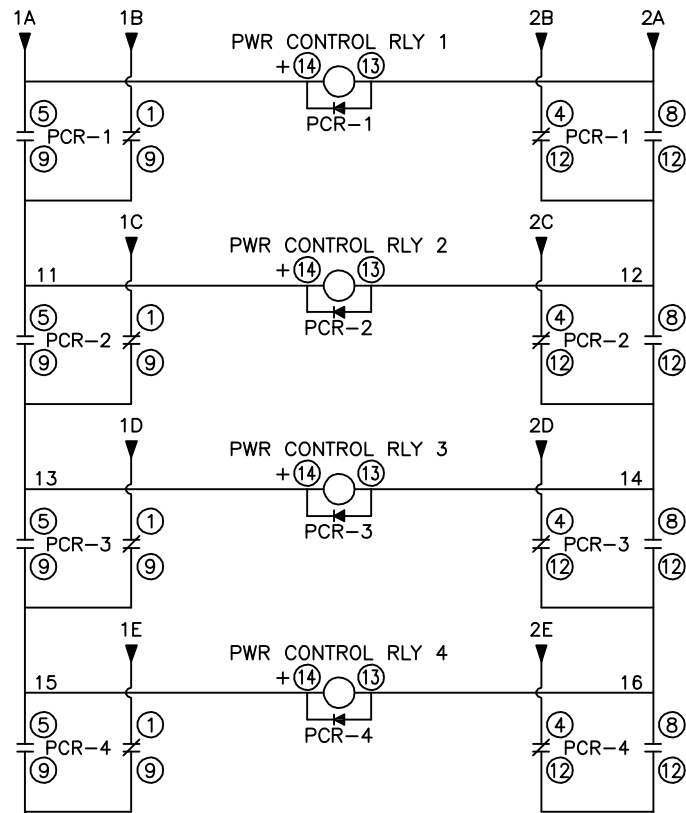
1. FIELD WIRING TO BE COPPER RATED FOR 75°C MINIMUM.



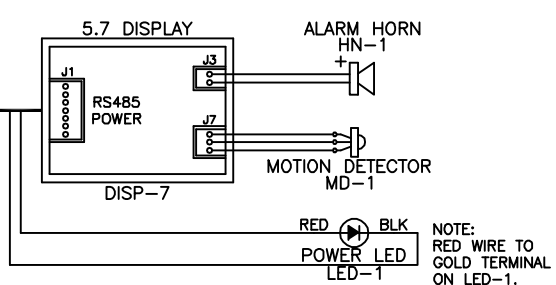
Revised	Date	Drawn	MOB	Date	10/30/18
<small>This drawing and the information contained thereon remains the property of BeaconMedGas and may not be used for other than the purpose for which it was issued without the expressed written permission from BeaconMedGas Engineering.</small>		Scale	NTS		
BEACONMEDGAS		D			
Description:		Part Number: 4107 8568 31			
DWG WIRING CONTROL		DN	HOP 180863	Rev:	00
PX SCROLL 15HP		Sheet 3 of 4		DO NOT SCALE THIS DOCUMENT	
208-460/3/50-60, 65KA		1			

Notes:

1. FIELD WIRING TO BE COPPER RATED FOR 75°C MINIMUM.



NOTE:
AUXILIARY CONTACTS 151-152, 251-252, 351-352, 451-452, 551-552, & 965-976 ARE "CLASS 1 CONTROL CIRCUITS. USE CLASS 1 CONDUCTORS."
AUX CONTACTS ARE RATED 0.7Adc/0.7Arms @ 24V MAX. UNLESS OTHERWISE NOTED.
AUX CONTACTS CLOSED DURING NORMAL OPERATION.



Rev: 00	Date: 10/30/18	Scale: NTS
<p>BEACON MEDICAL</p> <p>THIS DRAWING AND THE INFORMATION CONTAINED THEREON ARE THE PROPERTY OF BEACON MEDICAL AND MAY NOT BE REPRODUCED OR TRANSMITTED IN ANY FORM OR BY ANY MEANS, ELECTRONIC OR MECHANICAL, INCLUDING PHOTOCOPYING, RECORDING, OR BY ANY INFORMATION STORAGE AND RETRIEVAL SYSTEM, WITHOUT THE EXPRESS WRITTEN PERMISSION OF BEACON MEDICAL ENGINEERING.</p>		
Description: DWG WIRING CONTROL PX SCROLL 15HP 208-460/3/50-60, 65kA Part Number: 4107 8568 31 Rev: 00 HOP 180863 Sheet 4 of 4	Drawn: MDB Date: 10/30/18 Scale: NTS	Part Number: 4107 8568 31 Rev: 00 HOP 180863 Sheet 4 of 4