

Installation, Operation and Maintenance Instructions



Ohmeda Retrofit Gas Control Panel

Part number 4107 9027 47.00

March 16, 2020



BEACONMEDÆS[®]

Part of the Atlas Copco Group



BEACONMEDÆS[®]

Part of the Atlas Copco Group

Installation, Operation and Maintenance Manual **Wall Mount Gas Control Panel**

This unit is purchased from: _____

Date purchased: _____

Model number: _____

Option(s) included: _____

Any information, service or spare parts requests should include the unit model number and be directed to:

BeaconMedæS
1059 Paragon Way,
Rock Hill, SC 29730
Phone: (803) 817-5600
Fax: (803) 817-5750
www.beaconmedaes.com

BeaconMedæS reserves the right to make changes and improvements to update products sold previously without notice or obligation.

Part number 4107 9027 47.00
05 March 2020

Table of Contents

1. Introduction	1
1.1 Audience	1
1.2 Abbreviations	1
1.3 Definition of Statements.....	1
1.4 Environmental Declarations.....	1
1.5 About Gas Control Panels.....	1
2. Removal of Old Panel	2
2.1 Remove Ohmeda Front Panel.....	2
3. Installing New Panel	2
3.1 Installing Retrofit Kit.....	2
4. Testing.....	3
4.1 Testing Instructions	3
4.2 Operating Instructions	3
5. Maintenance.....	4
5.1 Maintenance Instructions.....	4

1. Introduction

1.1 Audience

This manual provides information related to the installation and operation of the Retrofit Ohmeda Gas Control Panel system manufactured by BeaconMedæ. Service information contained in this manual is intended for use by technicians or personnel qualified to repair and service medical gas equipment.

1.2 Abbreviations

CGA	Compressed Gas Association
FNPT	Female National Pipe Thread
MNPT	Male National Pipe Thread
PSIG	Pounds Per Square Inch- Gauge
DISS	Diameter-Index Safety System

1.3 Definition of Statements

Statements in this manual preceded by following words are of special significance.

⚠ WARNING: Means there is a possibility of injury or death to yourself or others.

⚠ CAUTION: Means there is a possibility of damage to unit or other property.

NOTE: Indicates points of particular interest for more efficient and convenient operation.

1.4 Environmental Declarations

When developing products and services, BeaconMedæ tries to understand, address, and minimize the negative environmental effects that the products and services may have, when being manufactured, distributed, and used, as well as at their disposal.

Recycling and disposal policies are part of the development of all BeaconMedæ products. BeaconMedæ company standards determine strict requirements.

When selecting materials, the substantial recyclability, the disassembly possibilities and the separability of the materials and assemblies

are considered as well as the environmental perils and dangers to health during the recycling and disposal of the unavoidable rates of non-recyclable materials.

BeaconMedæ products for the most part consist of metallic materials that can be remelted in steelworks and smelting works and that is therefore almost infinitely recyclable. The plastic use is labeled; sorting and fractioning of the materials for recycling in the future is foreseen.

Disposal of Materials

Dispose contaminated substances and materials separately, according to local applicable environmental legislations.

Dispose all components according to the applicable disposal regulations.

NOTE:

This concept can only succeed with your help. Support us by disposing professionally.

By assuring a correct disposal of the product you help to prevent possible negative consequences for environment and health that can occur with inappropriate waste handling.

Recycling and re-usage of materials helps to preserve natural resources.

1.5 About Gas Control Panels

BeaconMedæ Wall Mount Panels

The BeaconMedæ gas control panel is designed to update old style Ohmeda control panels sold prior to 1996 (0221-5126-800). The kit contains all required parts and can be installed with no modifications to the old control panels rough-in box. Brazing or otherwise disturbing the wall is not required.

The gas control panel has been cleaned, tested and prepared for gas service in accordance with recommendations set forth in the National Fire Protection Association (NFPA 99), "Standard for Health Care Facilities."

Wall Mount Gas Control Panel

2. Removal of Old Panel

⚠ CAUTION:

Prior to removal and installation of control panels, verify zone valve is shut off and line to control panel is not pressurized.

2.1 Remove Ohmeda Front Panel

1. Prior to removal and installation of control panels, verify zone valve is shut off and line to control panel is not pressurized.
2. Loosen set screws of on-off valve handle and remove handle.
3. Remove regulator adjusting screw and knob by unscrewing from regulator.
4. Unscrew lens covers from gauges and remove.
5. Remove screws from cover plate. Remove cover plate. Discard
6. Disconnect both tubing connections at top of box.
7. Remove screws in mounting brackets and remove control panel manifold from box. Discard.

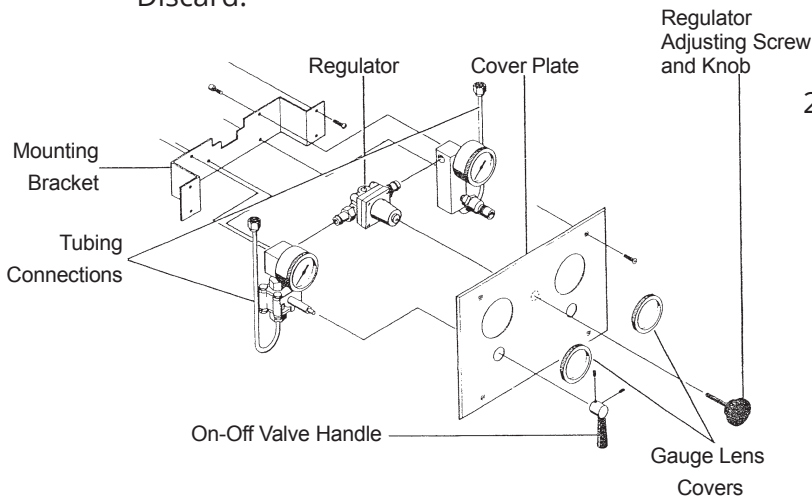


Figure 1

3. Installing New Panel

3.1 Installing Retrofit Kit

1. Remove flare nut assembly (supplied with retrofit kit) from polyethylene bag and install to fittings at top of rough-in box.

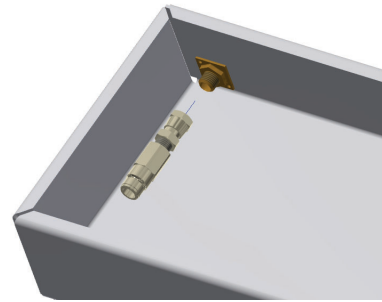


Figure 2

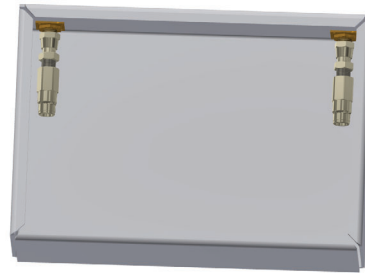


Figure 3

2. Remove protective dust caps from hose ends. Insert hose assembly end into left inlet connector inside mounting box. Push hose adapter through collet into connector until it bottoms out. Pull back on the hose assembly to verify proper attachment.

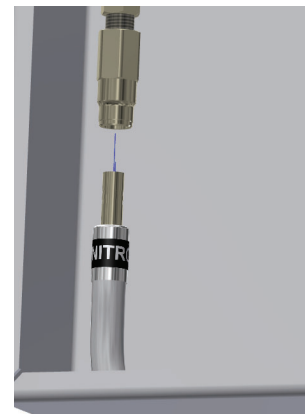


Figure 4

- Using the same installation procedure from step 2, connect other hose end to front panel's inlet connector.
- If remote outlet is used, remove pipe plug from outlet tee fitting and install provided 1/4" MNPT x 3/8" OD tube swivel elbow into outlet tee fitting.

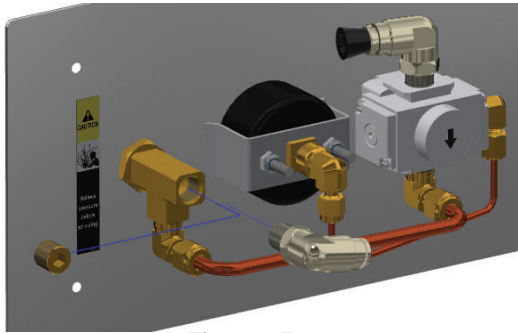


Figure 5

- When remote outlet is used, insert hose assembly end into right remote outlet connector inside mounting box. Push hose adapter through collet into connector until it bottoms out. Pull back on hose assembly to verify proper attachment. Using same installation procedure connect other hose end to front panel's remote outlet connector.
- Using leak detection solution, leak test threaded connection of flare nut and fitting in rough-in box.
- Position front panel over rough-in box and screw into place using (4) #6-32 x 1-1/2" screws provided with retrofit kit.



Figure 6

4. Testing

4.1 Testing Instructions

- Open the zone valve that supplies gas to the control panel.
- Turn pressure adjustment knob clockwise until reading of 160 psig is shown on the outlet pressure gage. Pressure will increase correspondingly with adjustment.
- Listen at panel for sound of escaping gas which would indicate leaks.
- Turn pressure adjustment knob completely counterclockwise until off. Gas venting inside the panel shall be heard. Gas is being vented through the self-relieving pressure control regulator. Observe outlet pressure gage, it shall drop to zero and flow of gas shall terminate.

4.2 Operating Instructions

- Connect surgical tool supply hose to outlet connection on control panel or remote outlet served by control panel.
- Adjust surgical tool operating pressure turning pressure adjustment knob clockwise to increase or counterclockwise to decrease pressure, as indicated on outlet pressure gage. For proper operating pressure, consult tool manufacturer's recommendations.

NOTE:

It is best to adjust pressure while gas is flowing through tool.

Wall Mount Gas Control Panel

5. Maintenance



CAUTION:

If leaks are heard inside panel, locate zone valve for room and turn it off. Release pressure from system before removing mounting screws.

5.1 Maintenance Instructions

Leak testing internal parts of panel shall be made without disconnecting panel from piping system.

1. Remove front panel from wall mounting box by removing four mounting screws located on front panel.
2. Carefully pull front panel, with control assembly, out of mounting box. Support control assembly in position which allows full view of all connections.
3. Adjust control pressure to 160 psig. Leak test all connection using oxygen compatible leak detection solution. Look for bubbles indicating leaks. Wipe remaining leak detection solution from all connections after testing.
4. Place control panel in mounting box and secure in place with four mounting screws.
5. Perform test according to section 4.1.

NOTE:

Correct leaks using appropriate procedures.



Part of the Atlas Copco Group

1059 Paragon Way Rock Hill, SC 29730
(888) 4-MEDGAS (888) 463-3427
Fax (803) 817-5750
www.beaconmedaes.com