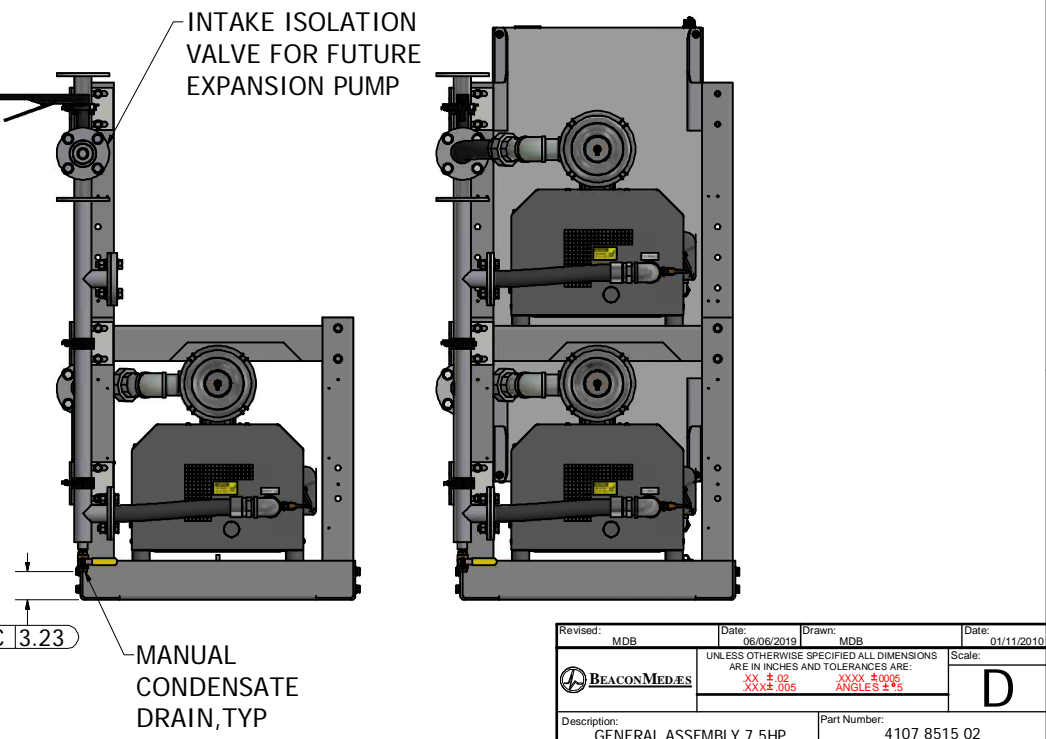
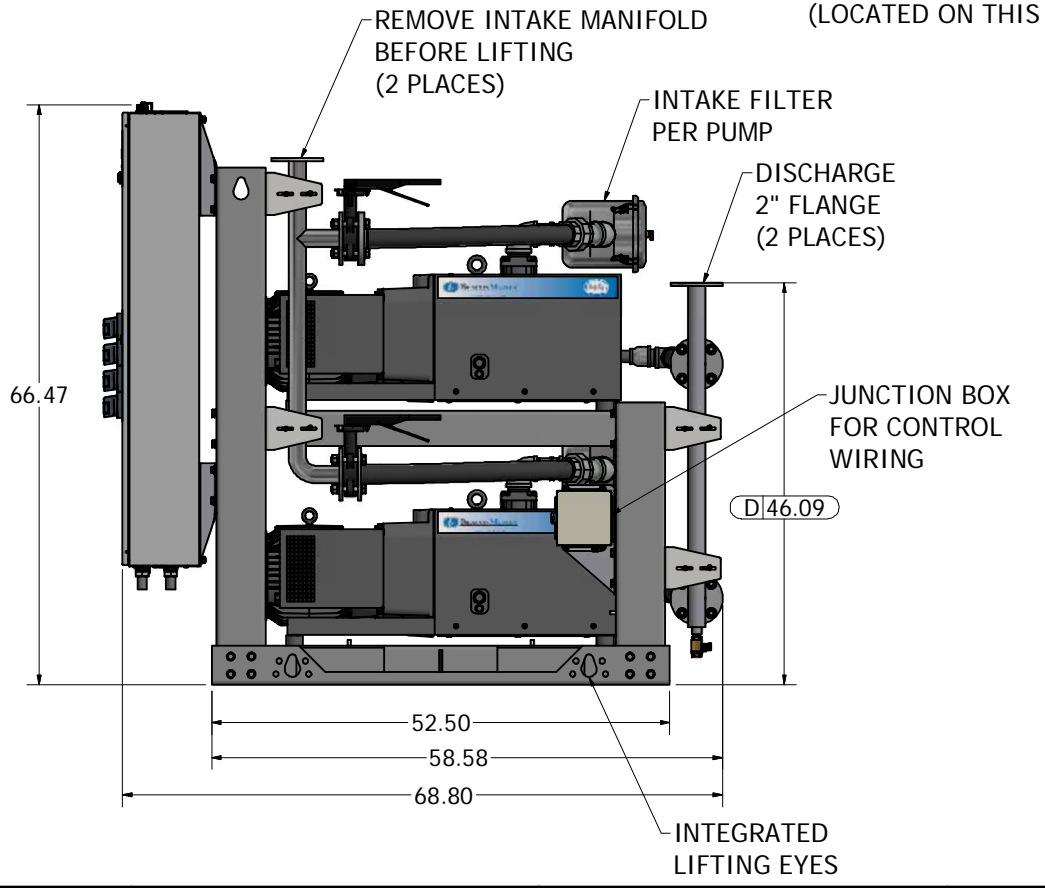
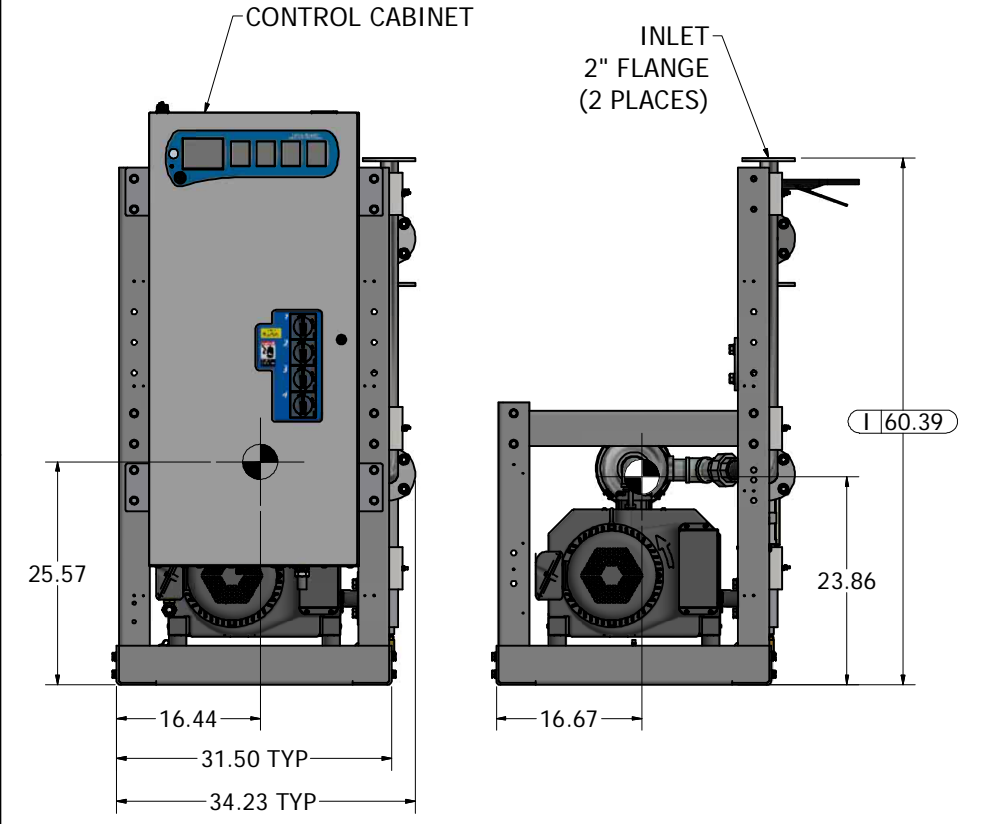
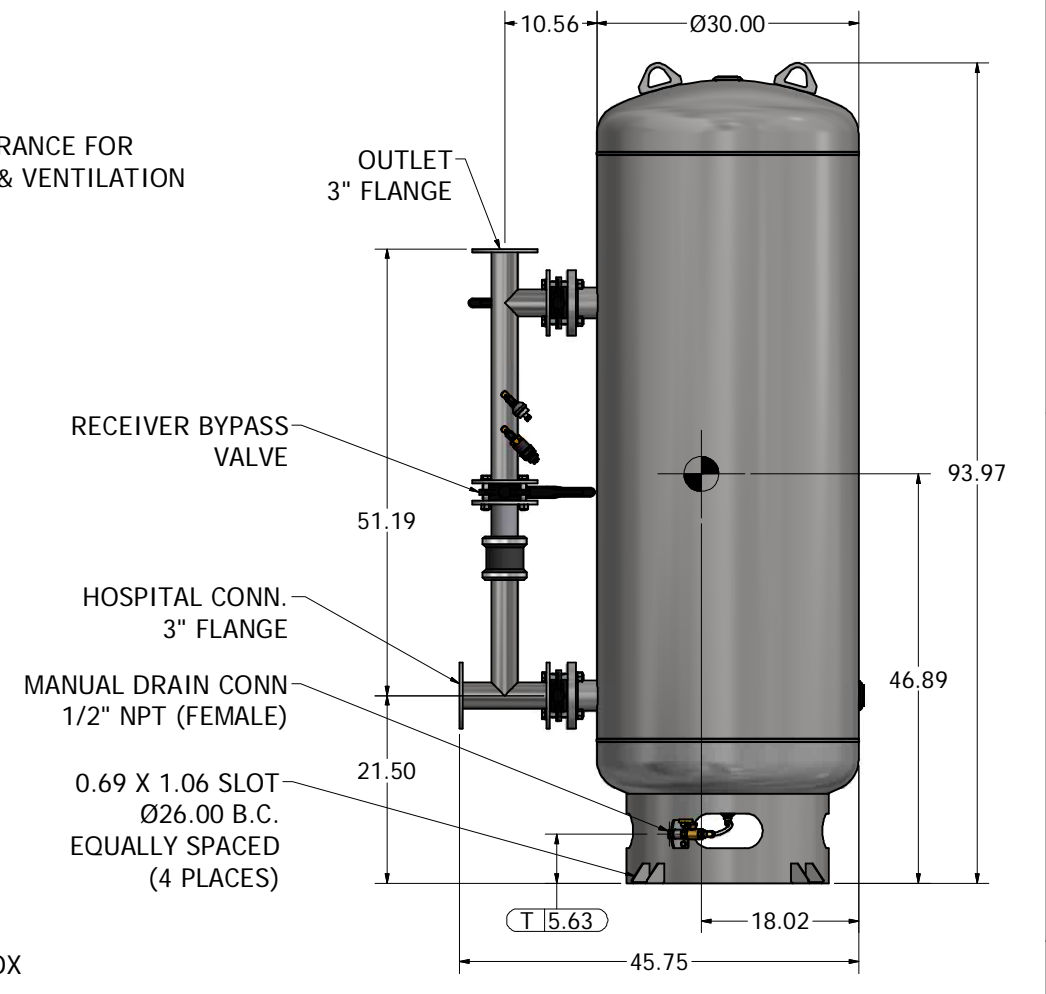
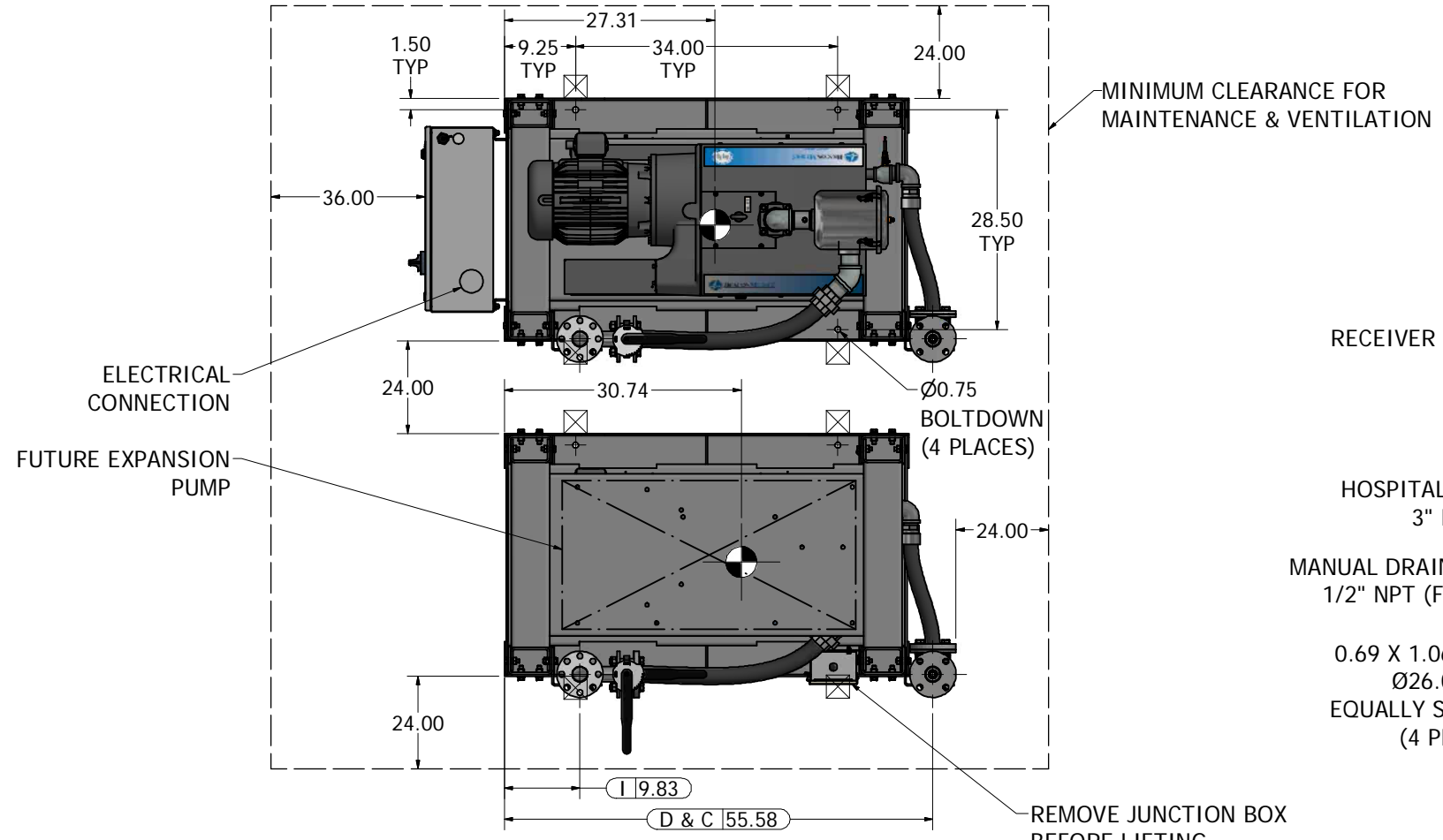


This drawing and the information contained thereon remain the property of BeaconMedics and may not be used for other than the purpose for which it is loaned without the expressed written permission from BeaconMedics Engineering.

- Notes:
- DISCHARGE MUFFLER WILL BE SHIPPED LOOSE.
  - DX MODULE W/PANEL WEIGHT: 1,847 LBS.  
DX MODULE W/O PANEL WEIGHT: 1,671 LBS.  
(INCLUDES FUTURE EXPANSION PUMP)  
240G TANK WEIGHT: 713 LBS
  - ⊠ INDICATES LIFTING POINT.
  - DENOTES CENTER OF GRAVITY.  
(INCLUDES FUTURE EXPANSION PUMP)

| SYSTEM CONNECTIONS |                           |
|--------------------|---------------------------|
| ID                 | DESCRIPTION               |
| I                  | INLET LOCATION            |
| D                  | DISCHARGE LOCATION        |
| C                  | CONDENSATE DRAIN LOCATION |
| T                  | TANK DRAIN                |



|  |                  |                              |                            |
|--|------------------|------------------------------|----------------------------|
| Revised: MDB   | Date: 06/06/2019 | Drawn: MDB                   | Date: 01/11/2010           |
| UNLESS OTHERWISE SPECIFIED ALL DIMENSIONS ARE IN INCHES AND TOLERANCES ARE:<br>XX ±.02<br>XXX ±.005<br>ANGLES ±.5° |                  |                              |                            |
| Description:<br>GENERAL ASSEMBLY 7.5HP<br>TX-X-OX CLAW VAC MOD 240G<br>RECEIVER STANDARD AND O2<br>ASSURED         |                  | Part Number:<br>4107 8515 02 | Scale:<br>D                |
| DN: BM190346   | Rev: 01          | Sheet 1 of 1                 | DO NOT SCALE THIS DOCUMENT |