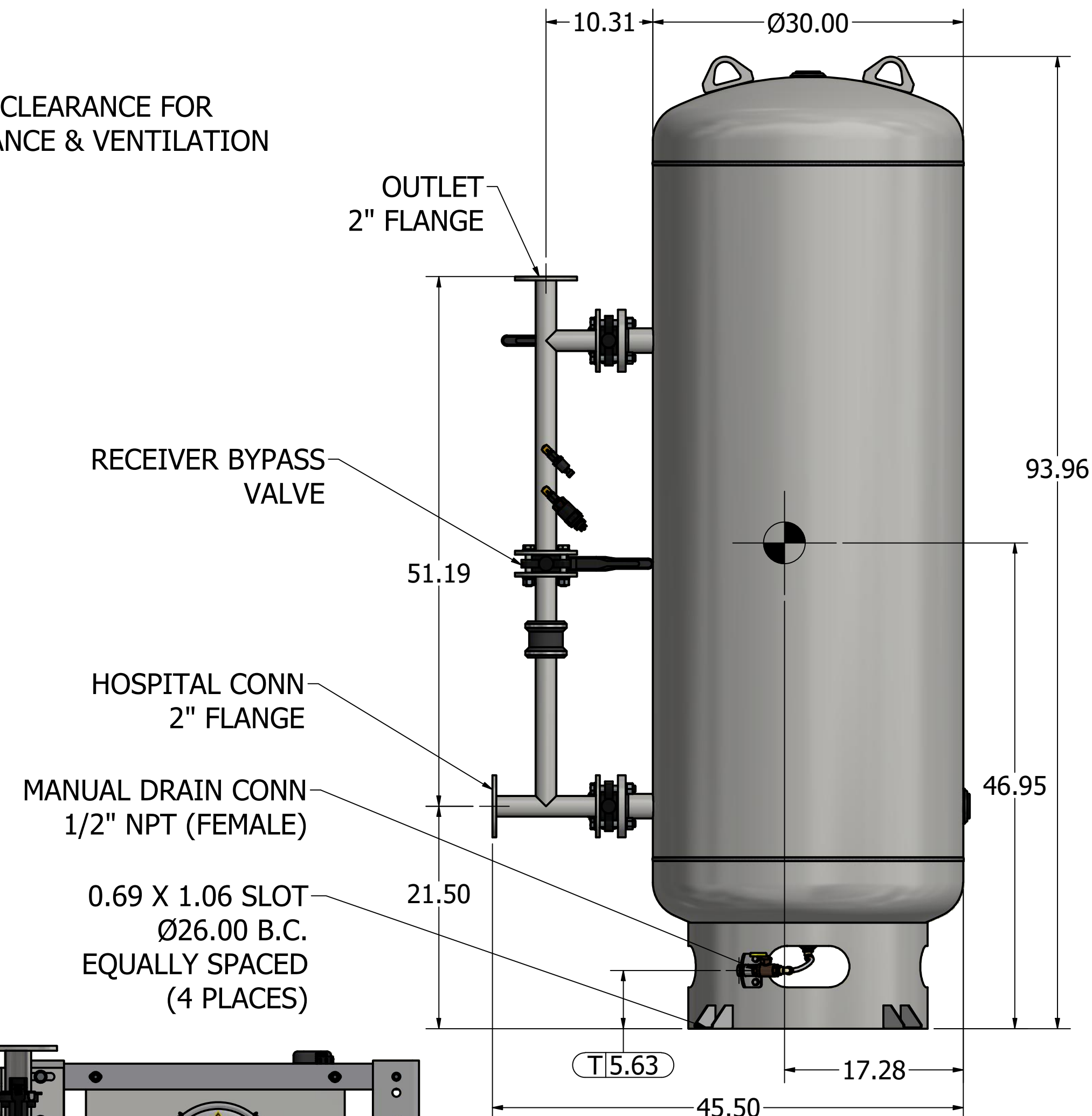
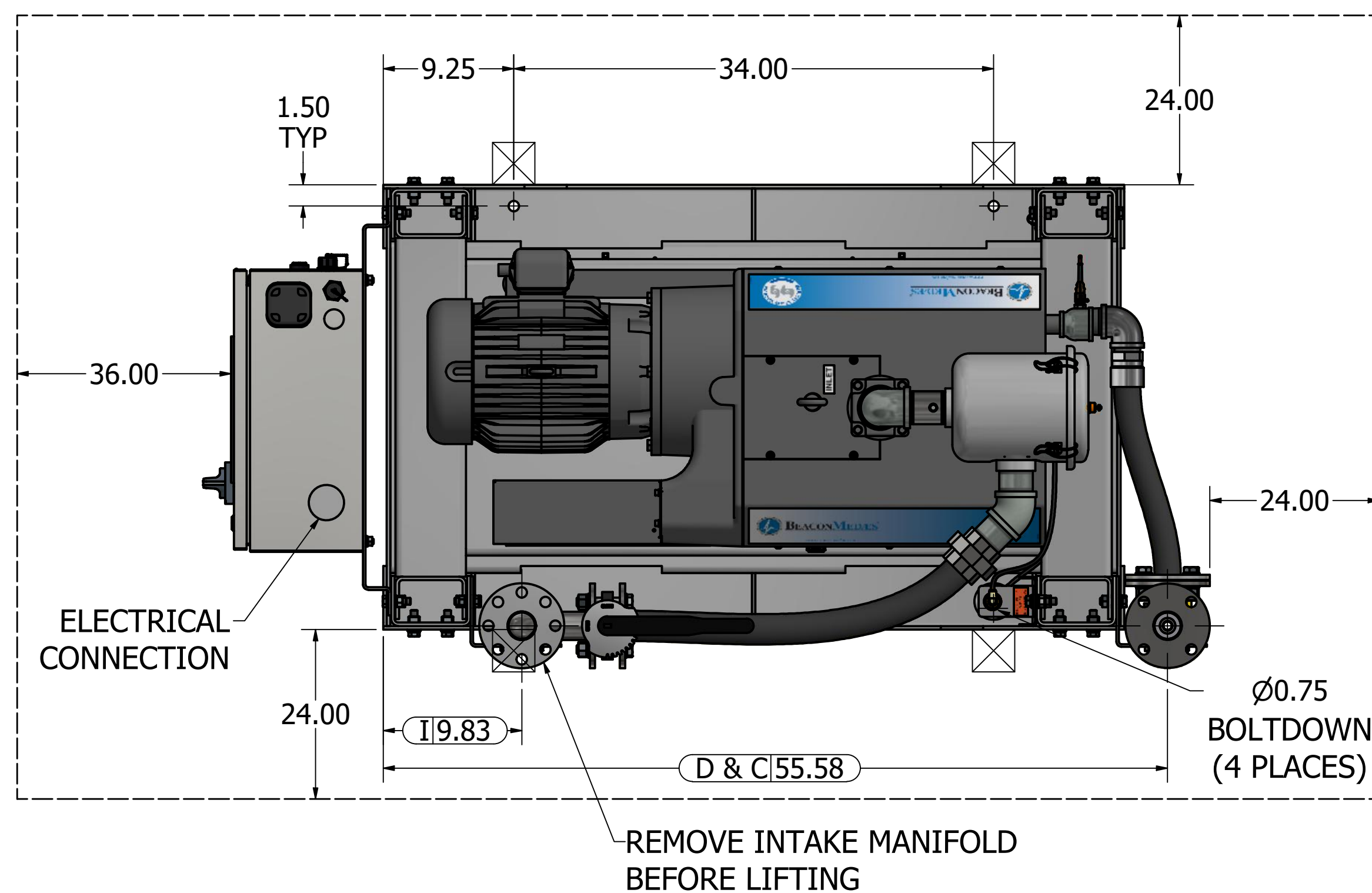


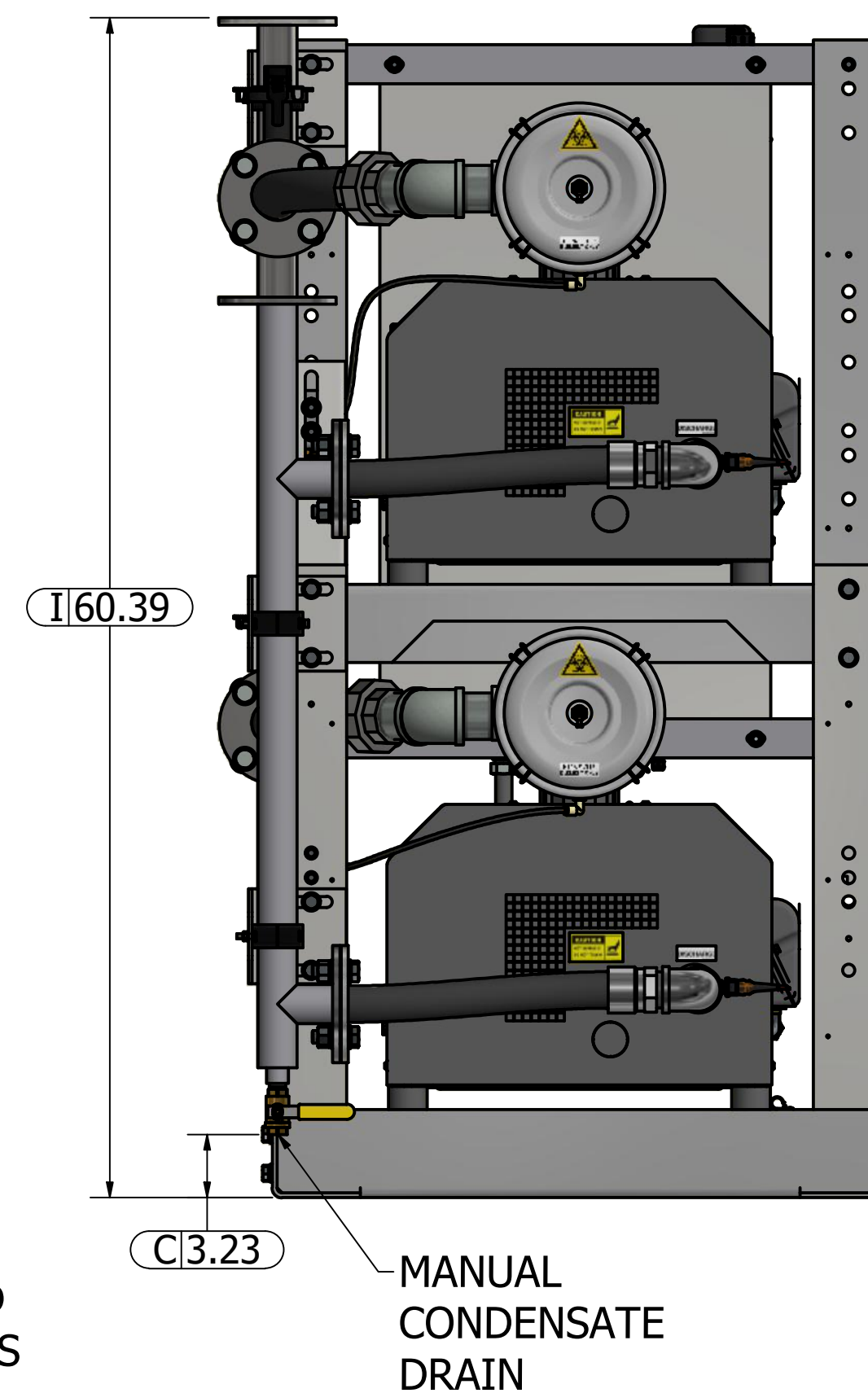
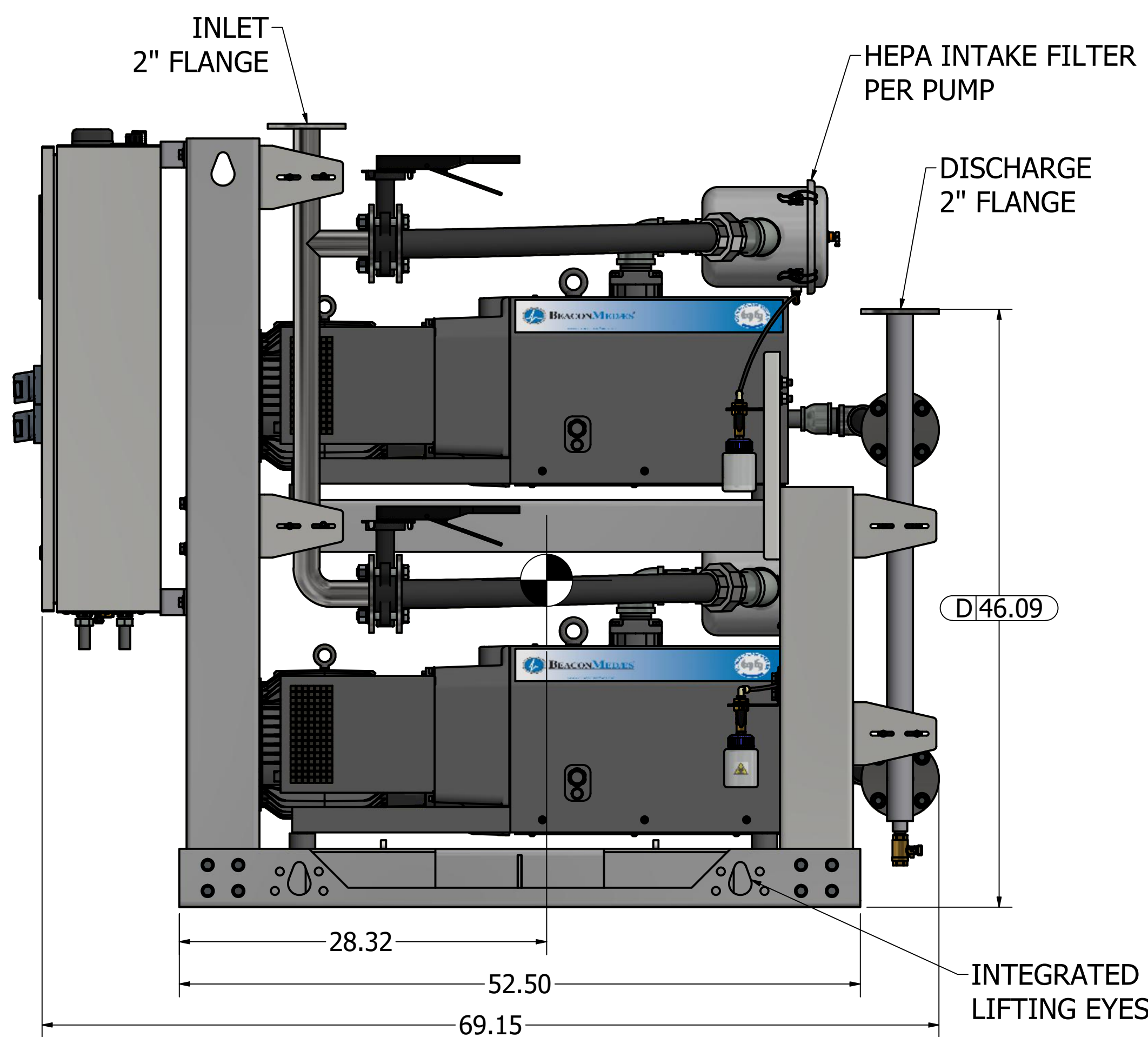
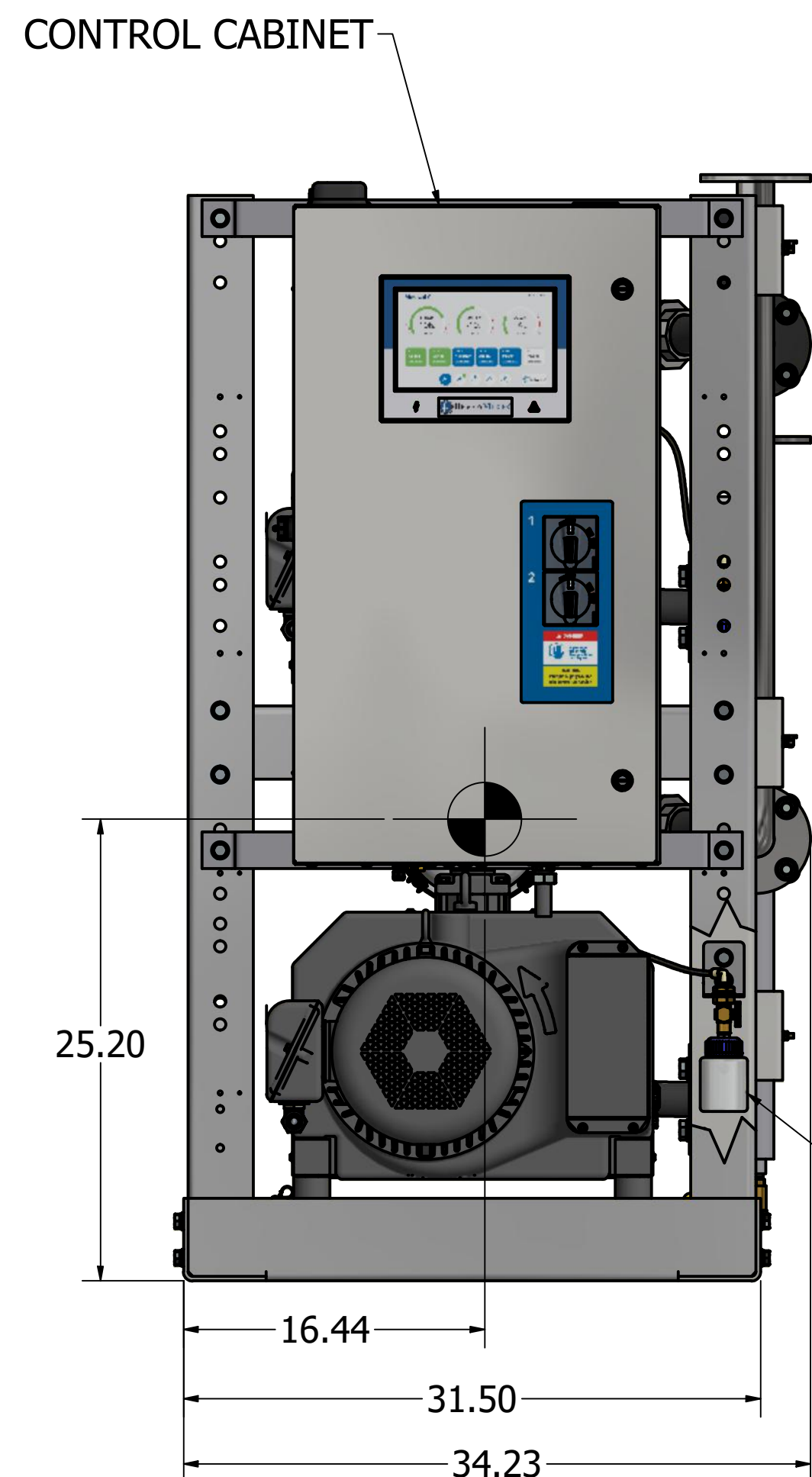
Notes:

- DISCHARGE MUFFLER WILL BE SHIPPED LOOSE.
- DX MODULE WEIGHT: 1,801 LBS
240G TANK WEIGHT: 693 LBS
- ⊠ INDICATES LIFTING POINT.
- DENOTES CENTER OF GRAVITY.

SYSTEM CONNECTIONS	
ID	DESCRIPTION
I	INLET LOCATION
D	DISCHARGE LOCATION
C	CONDENSATE DRAIN LOCATION
T	TANK DRAIN



240 GAL VACUUM RECEIVER
2" FLANGED CONNECTIONS
(SCALE 1:10)



Revised: a00545201	Date: 3/16/2023	Drawn: JDY	Date: 1/11/2010
		This drawing and the information contained herein remain the property of BeaconMedaes and may not be used for other than the purpose for which it is loaned without the expressed written permission from BeaconMedaes Engineering.	
Description: GENERAL ASSEMBLY 7.5HP DX CLAW VAC MOD 240G RECEIVER STANDARD AND O2 ASSURED		Part Number: 4107 8513 12 DN: HOP230841 Rev: 03 Sheet 1 of 1	
Scale:		DO NOT SCALE THIS DOCUMENT	