

Notes:

- ALL INTERCONNECTING PIPE AND FITTINGS SHALL BE INSTALLED BY THE CONTRACTOR.
- ALL PIPING SHALL BE INSTALLED IN ACCORDANCE WITH NFPA 99, 2005 EDITION. PIPING LAYOUT IS DIAGRAMMATIC ONLY. FINAL ARRANGEMENT WILL BE SITE SPECIFIC. CONTRACTOR WILL BE RESPONSIBLE FOR FIELD VERIFICATION AND COORDINATING ACTUAL LOCATION WITH ALL OTHER TRADES.
- CONTRACTOR SHALL VERIFY MOTOR VOLTAGE, PHASE AND AMP RATINGS BEFORE STARTING ELECTRICAL INSTALLATION; AND MAKE CERTAIN THE VOLTAGE SUPPLIED BY THE HOSPITAL IS THE SAME.
- THE ROOM REQUIRES DEDICATED MECHANICAL VENTILATION WITH AN ALLOWABLE TEMPERATURE VARIANCE OF 40° TO 105°F. (FOR HIGHER AMBIENTS, CONSULT FACTORY)
- ELECTRICAL POWER SHALL BE SUPPLIED FROM THE EQUIPMENT SYSTEM BRANCH OF THE ESSENTIAL ELECTRICAL SYSTEM (EMERGENCY POWER).
- EQUIPMENT, INSTALLATION, AND TESTING OF THE MEDICAL VACUUM SYSTEM SHALL COMPLY WITH NFPA 99, 2005 EDITION, AND ALL STATE AND LOCAL CODES OR ORDINANCES.
- WIRE LAG PUMP RUNNING ALARM REMOTE CONTACTS IN THIS CONTROL SYSTEM TO MASTER ALARM SYSTEM AS REQUIRED BY NFPA 99.
- ALL ACCESSORIES, PIPE AND FITTINGS, EXCEPT DISCHARGE SILENCERS, BEYOND INLET AND DISCHARGE PORTS ARE SUPPLIED AND INSTALLED BY OTHERS.
- WHEN DETERMINING THE TOTAL PIPE LENGTH, ADD ALL THE STRAIGHT LENGTHS OF PIPE TOGETHER IN ADDITION TO THE NUMBER OF ELBOWS TIMES THE EFFECTIVE PIPE LENGTH FOR THAT PIPE SIZE. (SEE EQUIVALENT PIPE LENGTH TABLE & EXAMPLE CALCULATION IN THE O&M MANUAL)
- PUMP MODULE CONTROL WIRING IS LOW VOLTAGE WIRING (24Vdc). LOW VOLTAGE WIRING MUST BE ROUTED SEPARATELY FROM HIGH VOLTAGE WIRING (200-480Vac). SEPARATION OF LOW VOLTAGE AND HIGH VOLTAGE WIRING MUST ALSO BE MAINTAINED INSIDE THE CONTROL PANEL. 24Vdc LOW VOLTAGE FIELD WIRING TO BE A MINIMUM OF 22 GAUGE, 75 DEG C COPPER WIRE.
- ALL MOTOR WIRING MUST BE RUN IN SEPARATE CONDUIT FROM LOW VOLTAGE WIRING AND ENTER THE CONTROL PANEL ON THE BOTTOM RIGHT SIDE, USING THE KNOCK OUTS PROVIDED.

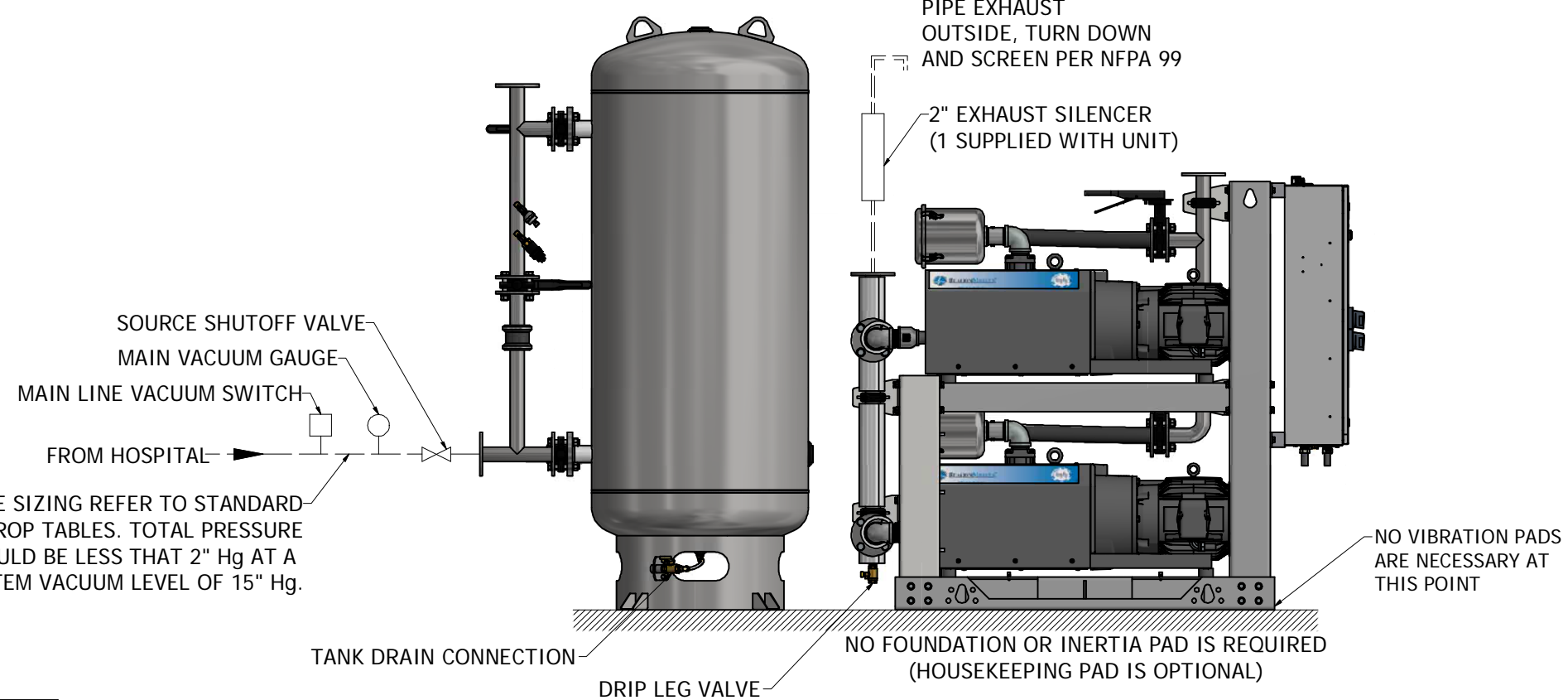
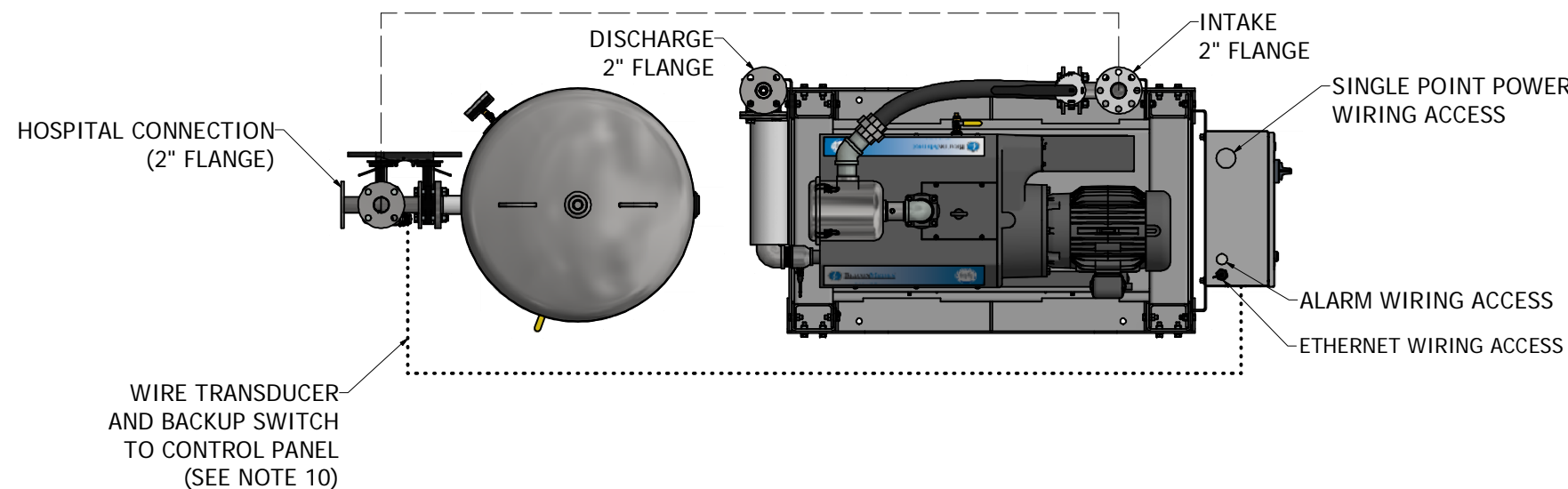
EXHAUST PIPE SIZE TABLE
(SEE NOTE 9)

| UNIT SIZE | PIPE LENGTH | | |
|-----------|-------------|-------------|-----------|
| DX 6.4 HP | 0-150' | 151'-300' | 301'-500' |
| | 2.50" NPT | 3.00" NPT | 3.50" NPT |
| | UNIT SIZE | PIPE LENGTH | |
| DX 7.5 HP | 0-75' | 76'-200' | 201'-500' |
| | 2.50" NPT | 3.00" NPT | 4.00" NPT |
| | UNIT SIZE | PIPE LENGTH | |
| DX 8.7 HP | 0-50' | 51'-150' | 151'-500' |
| | 2.50" NPT | 3.00" NPT | 4.00" NPT |
| | UNIT SIZE | PIPE LENGTH | |
| DX 10 HP | 0-100' | 101'-450' | 451'-500' |
| | 3.00" NPT | 4.00" NPT | 5.00" NPT |

| | |
|-------|---------------------|
| ----- | FIELD PIPING INLET |
| ===== | FIELD PIPING OUTLET |
| | 24 VDC ELECTRICAL |

EFFECTIVE PIPE LENGTHS FOR ELBOWS

| PIPE SIZE (IN) | 2.50" NPT | 3.00" NPT | 3.50" NPT | 4.00" NPT | 5.00" NPT |
|-----------------------|-----------|-----------|-----------|-----------|-----------|
| EFF. PIPE LENGTH (FT) | 6.4 | 7.9 | 9.4 | 10 | 11.9 |



(8.7HP W/200 GALLON RECEIVER SHOWN)

| | | | |
|---|------------------|--|------------------|
| Revised: MDB | Date: 07/05/2019 | Drawn: usrbw | Date: 03/29/2010 |
| | | This drawing and the information contained therein remain the property of BeaconMedes and may not be used for other than the purpose for which it is loaned without the expressed written permission from BeaconMedes Engineering. | |
| Description: INSTALLATION DIAGRAM 6-10HP DX CLAW VAC MOD STANDARD & O2 ASSURED | | Part Number: 4107 8516 06 | |
| DN: BM190346 | | Rev: 04 | |
| Sheet 1 of 1 | | DO NOT SCALE THIS DOCUMENT | |