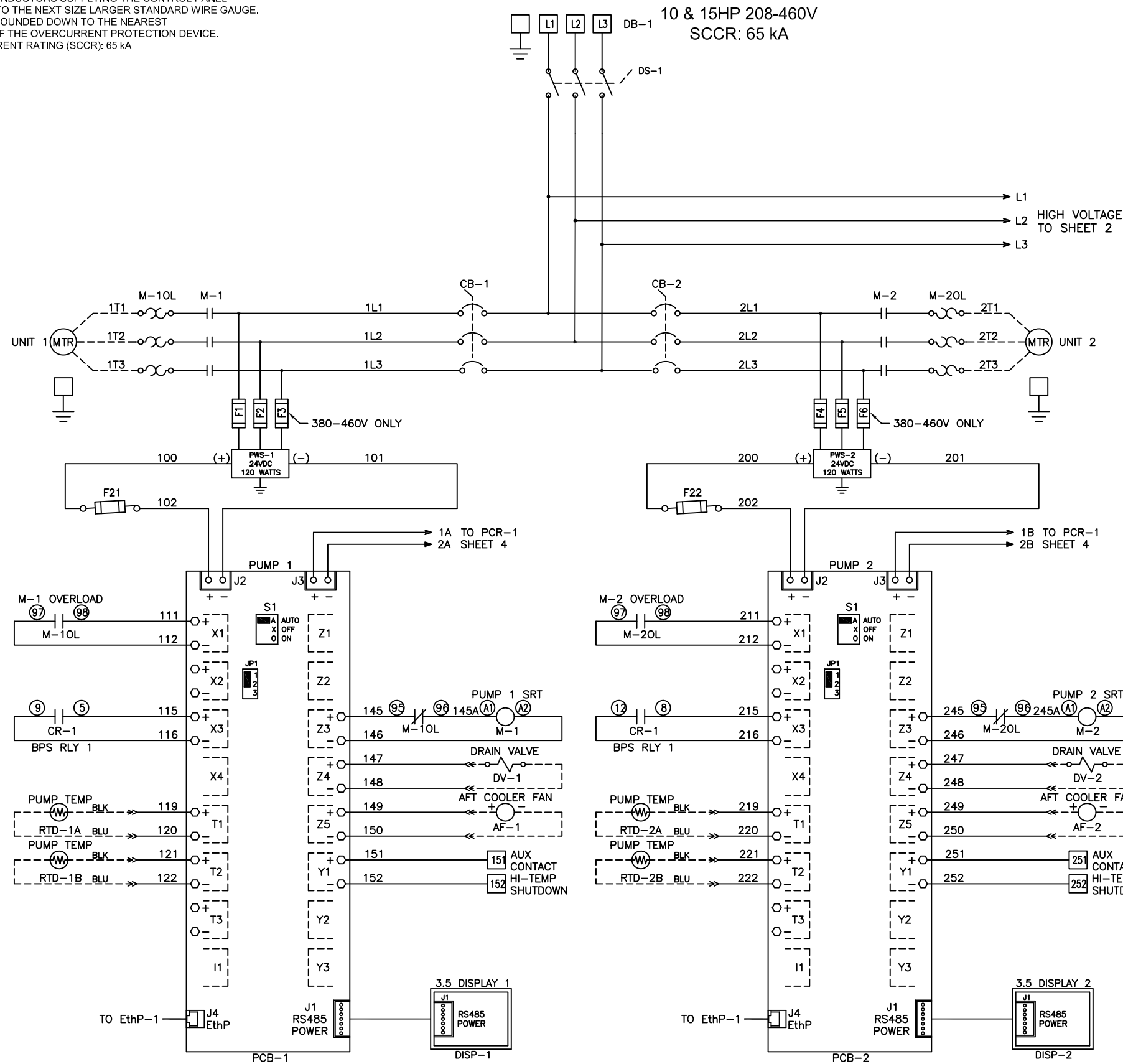


Notes:

1. MAIN DISCONNECT PROVIDED BY OTHER.
2. FIELD WIRING TO BE COPPER RATED FOR 75°C MINIMUM.
3. - - - - - INDICATES FIELD WIRING OUTSIDE OF CABINET.
4. AUXILIARY CONTACTS LIST ON SHEET 4.
5. THE AMPACITY OF CONDUCTORS SUPPLYING THE CONTROL PANEL TO BE ROUNDED UP TO THE NEXT SIZE LARGER STANDARD WIRE GAUGE.
6. MOP VALUES TO BE ROUNDED DOWN TO THE NEAREST STANDARD RATING OF THE OVERCURRENT PROTECTION DEVICE.
7. SHORT CIRCUIT CURRENT RATING (SCCR): 65 kA



**MINIMUM CIRCUIT AMPACITY (MCA)**

SYSTEM HP	208 V	230 V	380 V	460 V
10 HP	197.8 AMPS	179.7 AMPS	116.3 AMPS	90.6 AMPS
15 HP	294.0 AMPS	267.2 AMPS	172.5 AMPS	134.3 AMPS

**MAXIMUM OVERCURRENT PROTECTION (MOP)**

SYSTEM HP	208 V	230 V	380 V	460 V
10 HP	223.3 AMPS	203.0 AMPS	130.5 AMPS	101.5 AMPS
15 HP	335.0 AMPS	304.5 AMPS	195.8 AMPS	152.3 AMPS

**HEXAPLEX SYSTEM FULL LOAD AMPERES**

SYSTEM HP	208 V	230 V	380V/50Hz	460 V
10 HP	157.8 AMPS	147.8 AMPS	83.4 AMPS	74.5 AMPS
15 HP	236.4 AMPS	213.8 AMPS	126.0 AMPS	107.5 AMPS

**INDIVIDUAL FULL LOAD AMPERES**

SYSTEM HP	208 V	230 V	380V/50Hz	460 V
10 HP	25.6 AMPS	24.0 AMPS	13.4 AMPS	12.0 AMPS
15 HP	38.7 AMPS	35.0 AMPS	20.5 AMPS	17.5 AMPS

**FUSE SELECTION CHART (MAX FUSE SIZES SHOWN)**

FUSES	208 V	230 V	380 V	460 V
F1/F2/F4/F5 F7/F8/F10 F11/F13/F14 F16/F17	6.0 AMPS	6.0 AMPS	6.0 AMPS	6.0 AMPS
F3/F6/F9 F12/F15/F18	---	---	6.0 AMPS	6.0 AMPS
F21-F26	4.0 AMPS	4.0 AMPS	4.0 AMPS	4.0 AMPS
F31/F32 F33/F34	1.0 AMP	1.0 AMP	1.0 AMP	1.0 AMP
F35/F36	0.5 AMP	0.5 AMP	0.5 AMP	0.5 AMP

F1-F18 ARE LITTELFUSE KLDK 600V TYPE  
F21-F26/F31-F36 ARE LITTELFUSE 2AG 250V TYPE

**DEFAULT PUMP PSI SETTINGS**

PUMP SEQUENCE	PSI
LEAD CUT-OFF	140
LAG CUT-ON	120

**BACKUP PRESSURE SWT SETTINGS**

SETTING	PSI
BPS-1 CUT-OFF	140
BPS-1 CUT-ON	105

**PUMP/DRYER PCB JUMPER/SWT SETTINGS**

JPR/SWT	POSITION
JP1	1-2
S1	A (AUTO)

**AUTO OPERATION:**

DURING NORMAL OPERATION, THE MASTER PCB WILL SIGNAL THE LEAD COMPRESSOR TO START WHEN THE PRESSURE FALLS BELOW THE SET-POINT FOR THE LEAD PUMP. IF ONE PUMP CAN CARRY THE LOAD, THE PRESSURE WILL RISE TO 140 PSI. THE MASTER PCB WILL THEN SIGNAL THE PUMP PCB TO TURN OFF THE LEAD COMPRESSOR. WHEN THE SYSTEM PRESSURE DROPS AGAIN BELOW THE LEAD SET-POINT, THE MASTER PCB WILL SEQUENCE THE LEAD ROLE TO THE NEXT COMPRESSOR AND IT WILL START. IF ANY LEAD COMPRESSOR RUNS FOR MORE THAN 17 MINUTES AND CANNOT REACH 140 PSI, THE MASTER PCB WILL TURN OFF THE COMPRESSOR THAT IS RUNNING AND SEQUENCE TO THE NEXT COMPRESSOR.

**PUMP PCB S1 POSITION:**

**POSITION (A) - AUTO (DEFAULT):**  
THE PUMP WILL OPERATE NORMALLY AS DESCRIBED ABOVE IN "AUTO OPERATION".  
**POSITION (X) - OFF:**  
THE PUMP IS DISABLED FROM RUNNING.  
**POSITION (O) - MANUAL:**  
THE PUMP WILL START AND STOP ON THE BACK UP PRESSURE SWITCH (BPS-1).

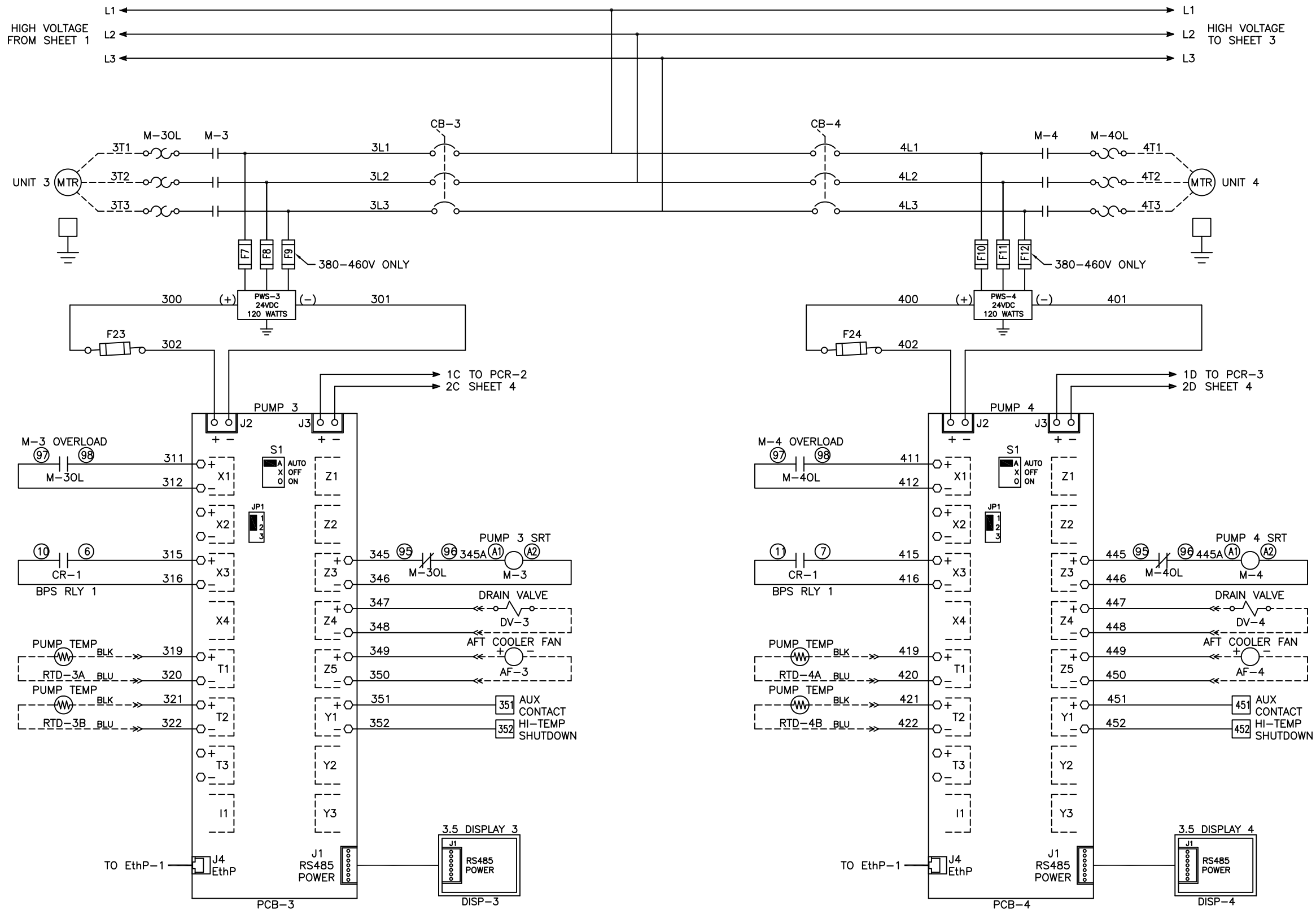
**PCB FAULT:**

IF A PUMP PCB ETHERNET FAULT OR A TRANSDUCER FAULT OCCURS, THE PUMP PCB WILL AUTOMATICALLY SWITCH TO MANUAL MODE. COMPRESSORS WILL START WHEN BPS-1 (BACKUP PRESSURE SWITCH) CLOSSES AND STOP WHEN IT OPENS. COMPRESSORS WILL NOT SEQUENCE IN THIS CONDITION AND CAN OPERATE UNTIL THE ETHERNET OR TRANSDUCER FAULT IS REPAIRED.

Revised: BM	Date: 01/12/22	Drawn: MDB	Date: 10/30/18
		This drawing and the information contained therein remain the property of BeaconMedias and may not be used for other than the purpose for which it is loaned without the expressed written permission from BeaconMedias Engineering.	
Description: DWG WIRING CONTROL HX LAB SCROLL 10-15HP 208-460/3/50-60, 65KA		Part Number: 4107 8568 37	
DN: HOP211246		Rev: 02	
Sheet 1 of 4		DO NOT SCALE THIS DOCUMENT	

Notes:

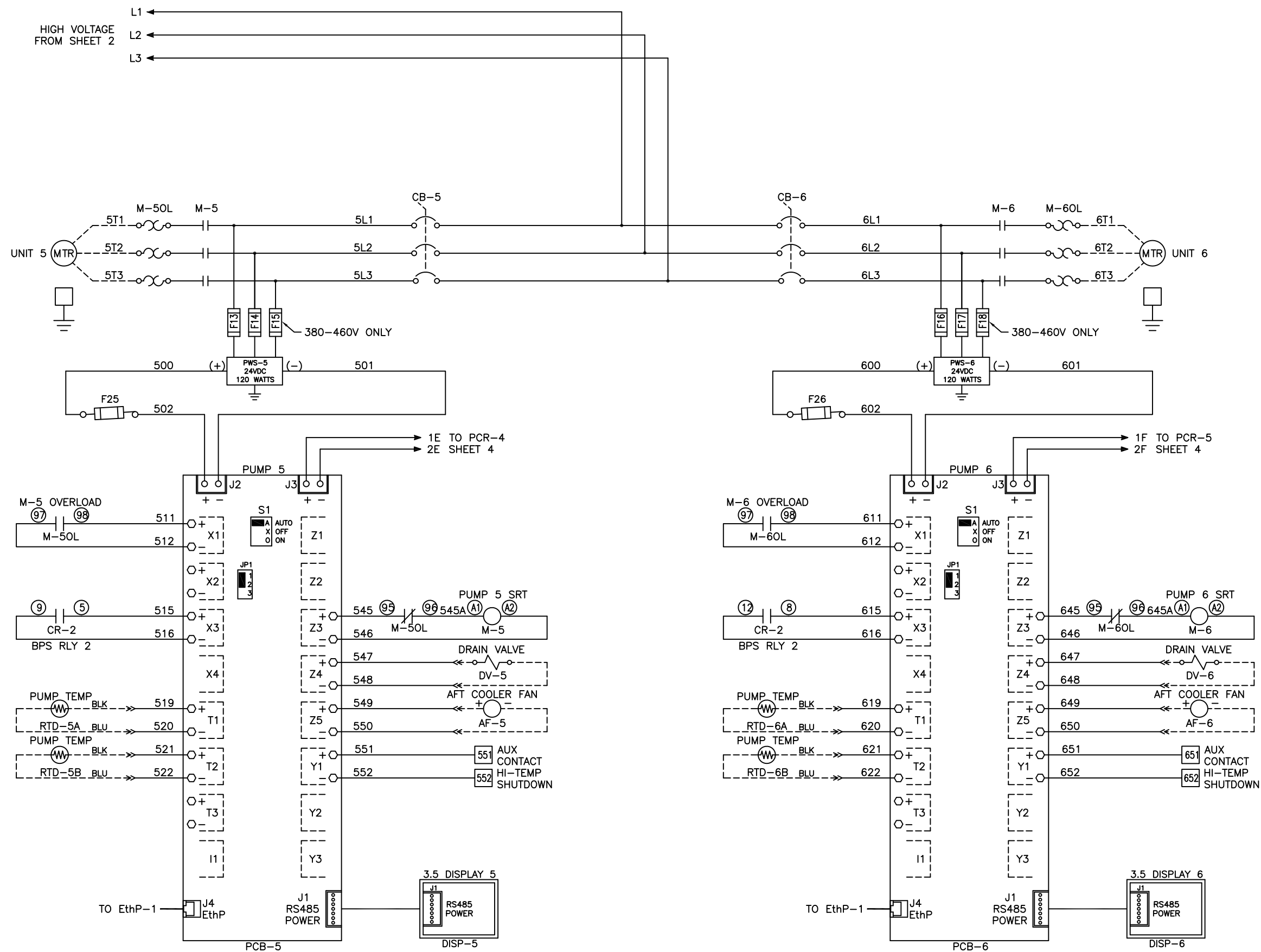
1. FIELD WIRING TO BE COPPER RATED FOR 75°C MINIMUM.



Revised:	BM	Date:	01/12/22	Drawn:	MDB	Date:	10/30/18
		<small>This drawing and the information contained therein remain the property of BeaconMeDes and may not be used for other than the purpose for which it is loaned without the expressed written permission from BeaconMeDes Engineering.</small>				Scale:	NTS
Description:		Part Number:		Revision:		Sheet:	
DWG WIRING CONTROL HX LAB SCROLL 10-15HP 208-460/3/50-60, 65kA		4107 8568 37		02		2 of 4	
				DO NOT SCALE THIS DOCUMENT			

Notes:

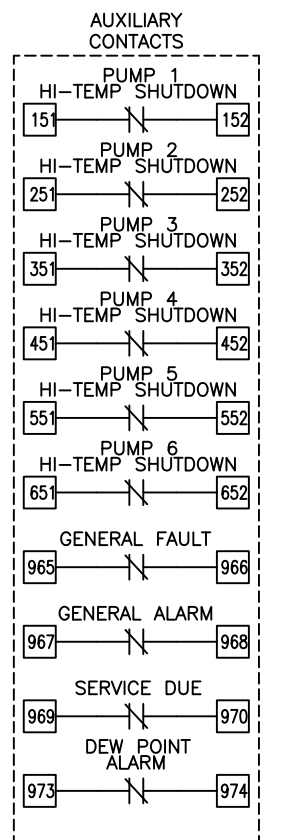
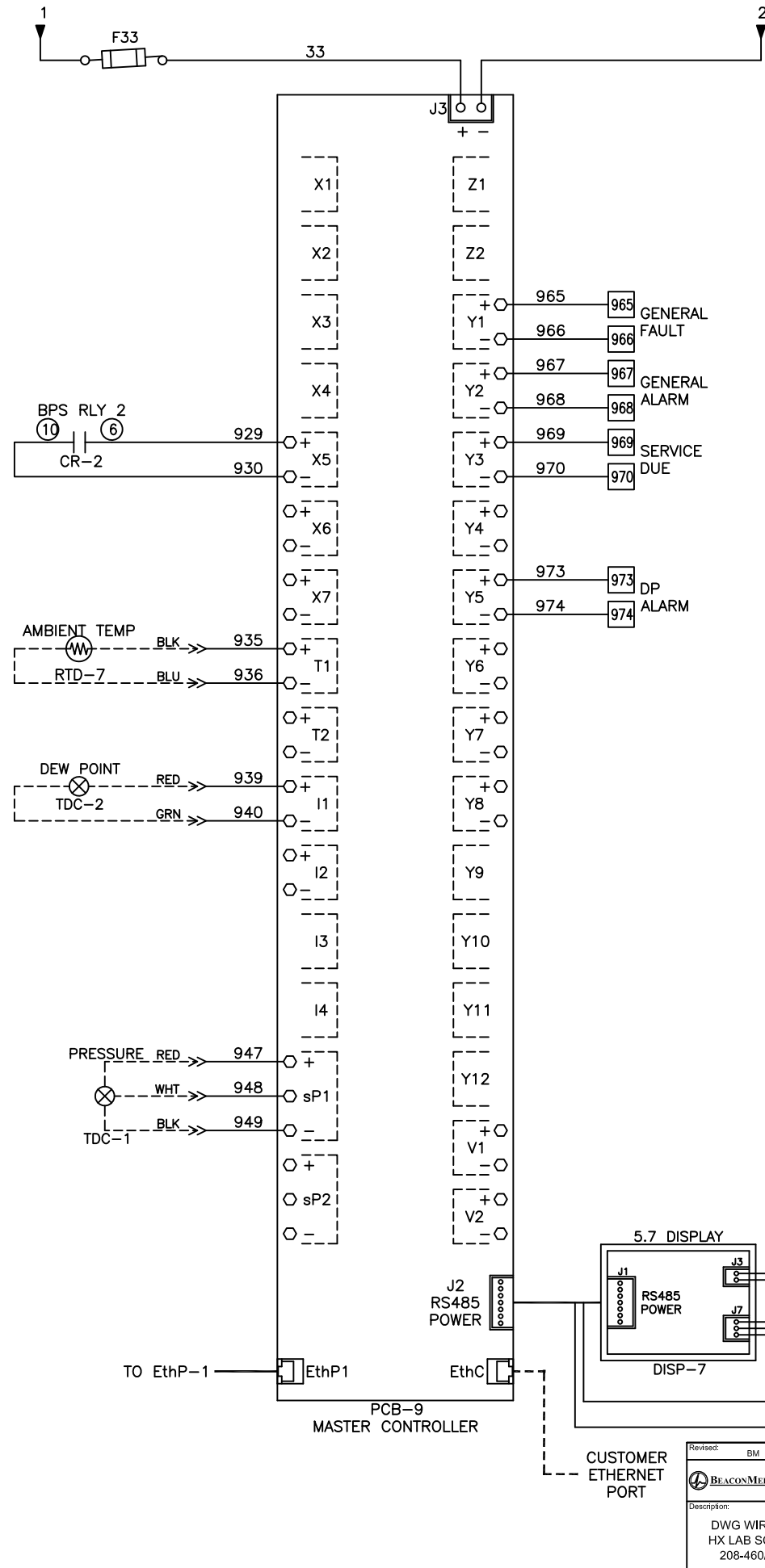
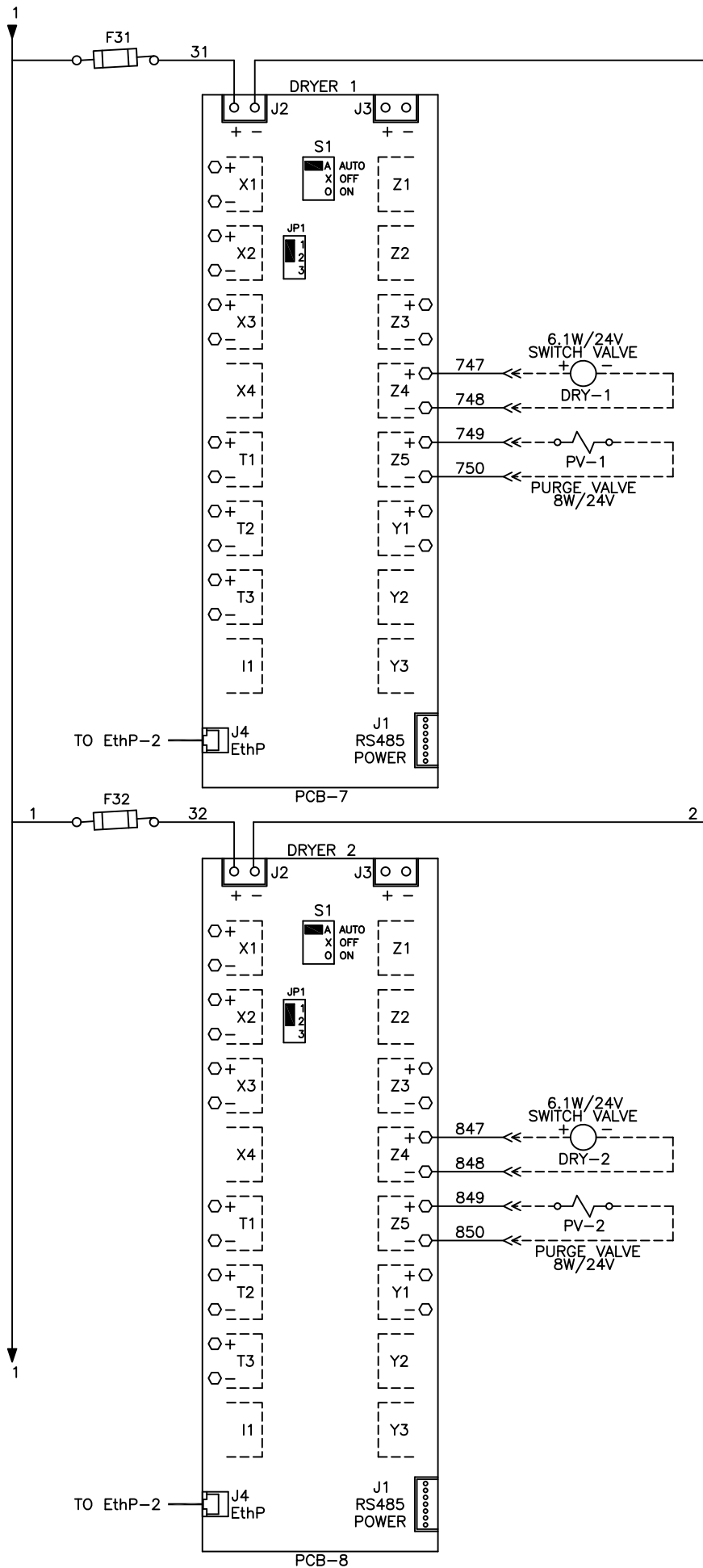
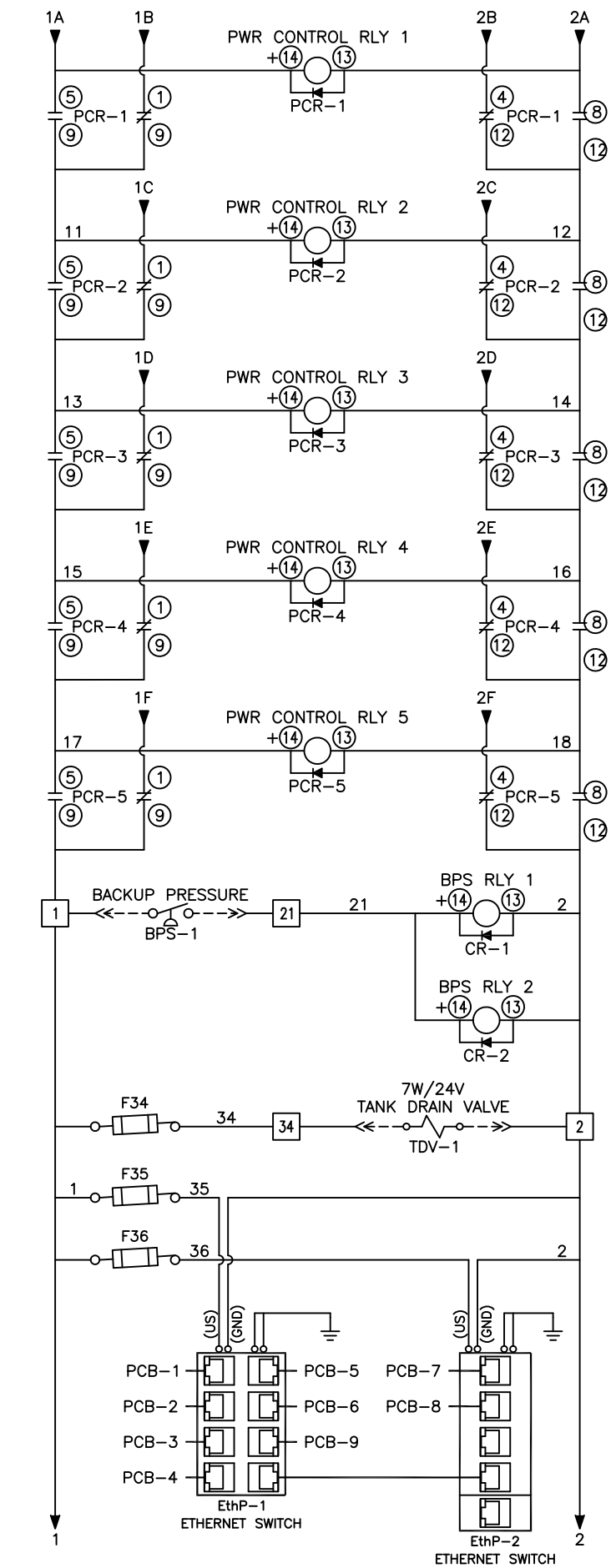
1. FIELD WIRING TO BE COPPER RATED FOR 75°C MINIMUM.



Revised: BM	Date: 01/12/22	Drawn: MDB	Date: 10/30/18
		Scale: NTS	
Description: DWG WIRING CONTROL HX LAB SCROLL 10-15HP 208-460/3/50-60, 65KA		Part Number: 4107 8568 37	
Sheet 3 of 4		Rev: 02 DO NOT SCALE THIS DOCUMENT	

Notes:

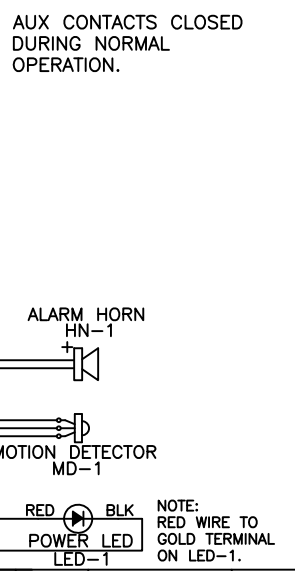
1. FIELD WIRING TO BE COPPER RATED FOR 75°C MINIMUM.



NOTE:  
AUXILIARY CONTACTS  
151-152, 251-252,  
351-352, 451-452,  
551-552, 651-652,  
965-970, & 973-974  
ARE "CLASS 1 CONTROL  
CIRCUITS. USE CLASS 1  
CONDUCTORS."

AUX CONTACTS ARE RATED  
0.7A<sub>dc</sub>/0.7A<sub>rms</sub> @ 24V  
MAX. UNLESS OTHERWISE  
NOTED.

AUX CONTACTS CLOSED  
DURING NORMAL  
OPERATION.



Revised: BM	Date: 01/12/22	Drawn: MDB	Date: 10/30/16
Description: DWG WIRING CONTROL HX LAB SCROLL 10-15HP 208-460/3/50-60, 65kA		Part Number: 4107 8568 37	
Sheet 4 of 4		Scale: NTS	