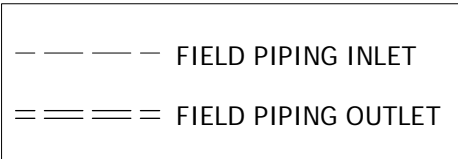


This drawing and the information contained thereon remain the property of BeaconMedes and may not be used for other than the purpose for which it is loaned without the expressed written permission from BeaconMedes Engineering.

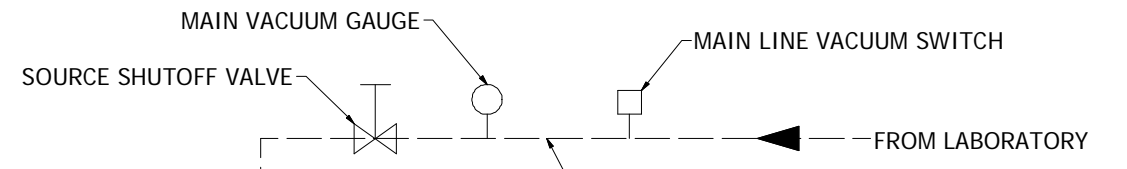
**NOTES:**

1. ALL INTERCONNECTING PIPE AND FITTINGS SHALL BE INSTALLED BY THE CONTRACTOR.
2. PIPING LAYOUT IS DIAGRAMMATIC ONLY. FINAL ARRANGEMENT WILL BE SITE SPECIFIC. CONTRACTOR WILL BE RESPONSIBLE FOR FIELD VERIFICATION AND COORDINATING ACTUAL LOCATION WITH ALL OTHER TRADES.
3. CONTRACTOR SHALL VERIFY MOTOR VOLTAGE, PHASE AND AMP RATINGS BEFORE STARTING ELECTRICAL INSTALLATION; AND MAKE CERTAIN THE VOLTAGE SUPPLIED BY THE FACILITY IS THE SAME.
4. THE ROOM REQUIRES DEDICATED MECHANICAL VENTILATION WITH AN ALLOWABLE TEMPERATURE VARIANCE OF 40° TO 105°F. (FOR HIGHER AMBIENTS, CONSULT FACTORY)
5. ALL ACCESSORIES, PIPE AND FITTINGS EXCEPT DISCHARGE FLEX HOSE, BEYOND INLET AND DISCHARGE PORTS ARE SUPPLIED AND INSTALLED BY OTHERS.
6. ALLOW 36 INCHES IN FRONT OF CONTROL PANEL FOR MAINTENANCE AND VENTILATION, ALL OTHER SIDES REQUIRE 24 INCHES OF CLEARANCE.
7. WHEN DETERMINING THE TOTAL PIPE LENGTH, ADD ALL THE STRAIGHT LENGTHS OF PIPE TOGETHER IN ADDITION TO THE NUMBER OF ELBOWS TIMES THE EFFECTIVE PIPE LENGTH FOR THAT PIPE SIZE. (SEE EQUIVALENT PIPE LENGTH TABLE & EXAMPLE CALCULATION IN THE O&M MANUAL)

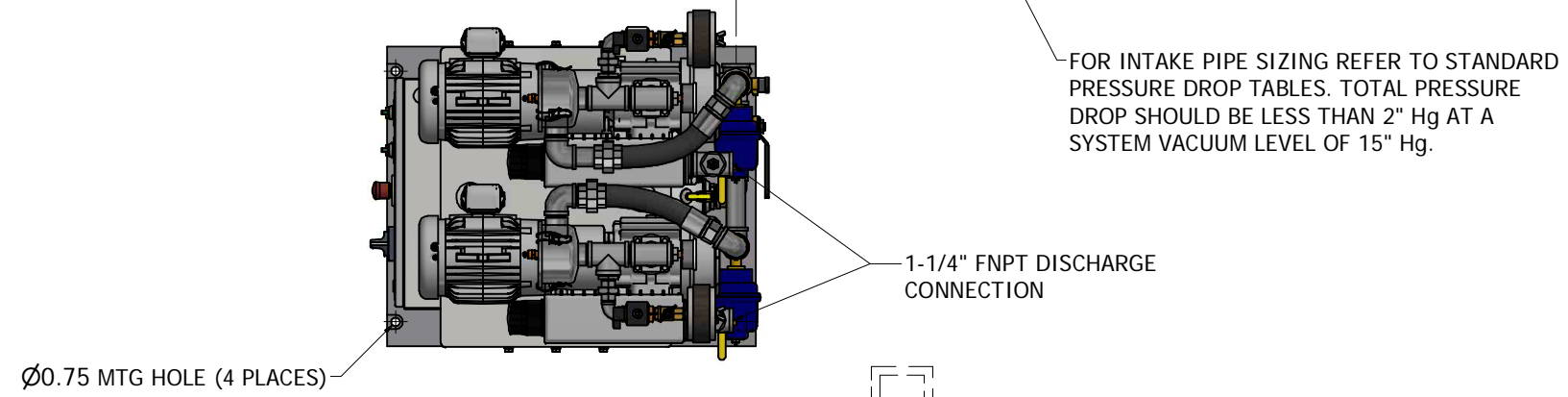


EXHAUST PIPE SIZE TABLE (SEE NOTE 7)		
UNIT SIZE	PIPE LENGTH	
		0 - 200'
DPX 1.5 HP	1.25" NPT	1.50" NPT
UNIT SIZE	PIPE LENGTH	
	0 - 200'	201' +
DPX 2 HP	1.50" NPT	2.00" NPT

EFFECTIVE PIPE LENGTH TABLE FOR ELBOWS			
PIPE SIZE (IN)	1.25" NPT	1.5" NPT	2.0" NPT
EFFECTIVE PIPE LENGTH (FT)	3.4	4.0	4.9



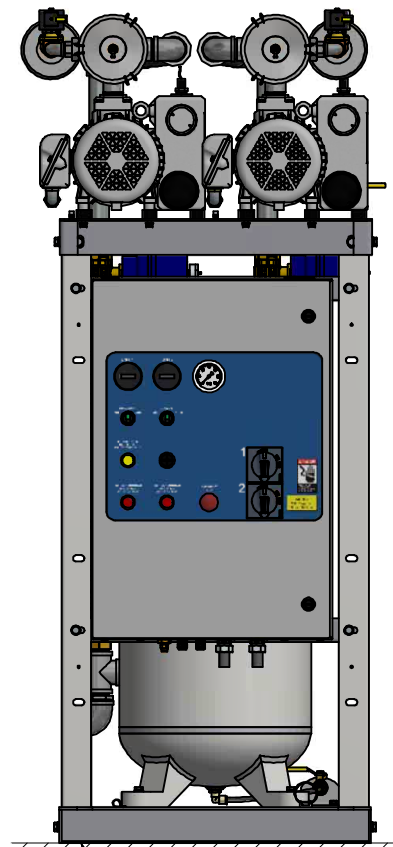
FOR INTAKE PIPE SIZING REFER TO STANDARD PRESSURE DROP TABLES. TOTAL PRESSURE DROP SHOULD BE LESS THAN 2" Hg AT A SYSTEM VACUUM LEVEL OF 15" Hg.



PIPE EXHAUST OUTSIDE, TURN DOWN AND SCREEN PER NFPA 99

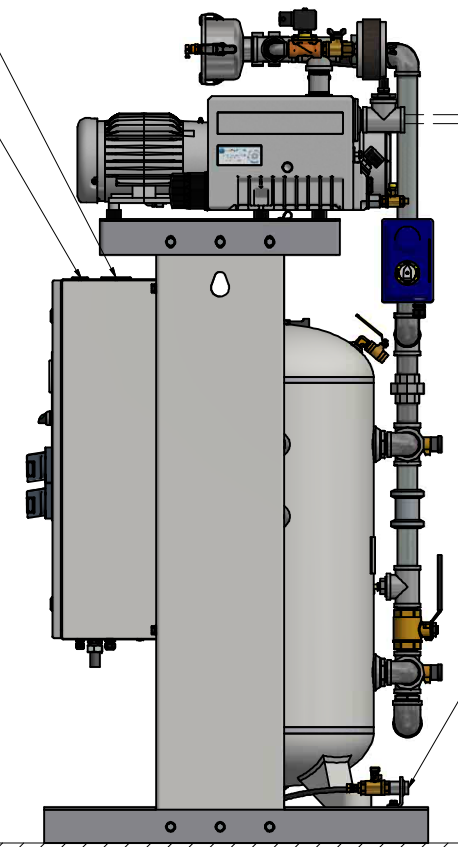
DISCHARGE FLEX HOSE (2 REQUIRED, SUPPLIED W/UNIT)

DRIP LEG VALVE SUPPLIED AND INSTALLED BY OTHERS (2 REQUIRED)



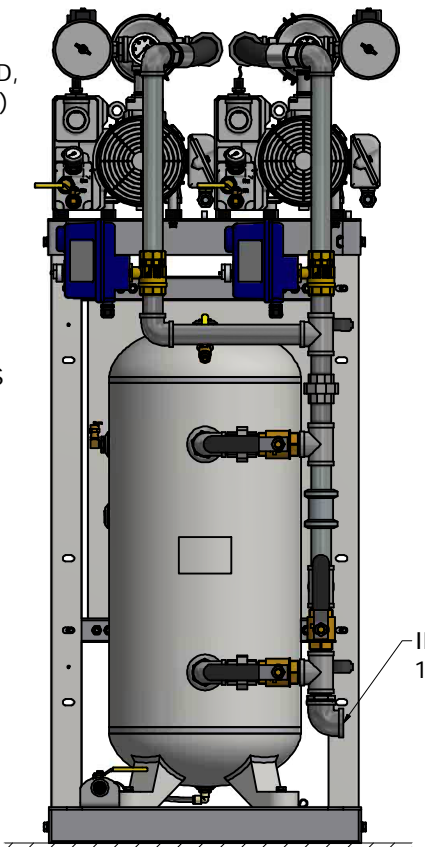
NO VIBRATION PADS ARE NECESSARY AT THIS LOCATION

SINGLE POINT POWER WIRING ACCESS  
 ALARM WIRING ACCESS



NO FOUNDATION OR INERTIA PAD IS REQUIRED (HOUSEKEEPING PAD IS OPTIONAL)

RECEIVER MANUAL DRAIN 1/2" NPT, CONTRACTOR SHOULD PIPE TO NEAREST FLOOR DRAIN



INLET CONNECTION 1-1/2" NPT

(2HP DX, 30G RECEIVER SHOWN)

Revised: MDB	Date: 07/10/2018	Drawn: MDB	Date: 11/30/2017
UNLESS OTHERWISE SPECIFIED ALL DIMENSIONS ARE IN INCHES AND TOLERANCES ARE: XXX ±.02 XXX±.005		Scale: 1/8"	
Description: INSTALLATION DIAGRAM LAB DX 1.5-2HP LAB LUBE VTM V 30G BASIC		Part Number: 4107 8563 20	Rev: 01
Sheet 1 of 1		Rev: 01	DO NOT SCALE THIS DOCUMENT