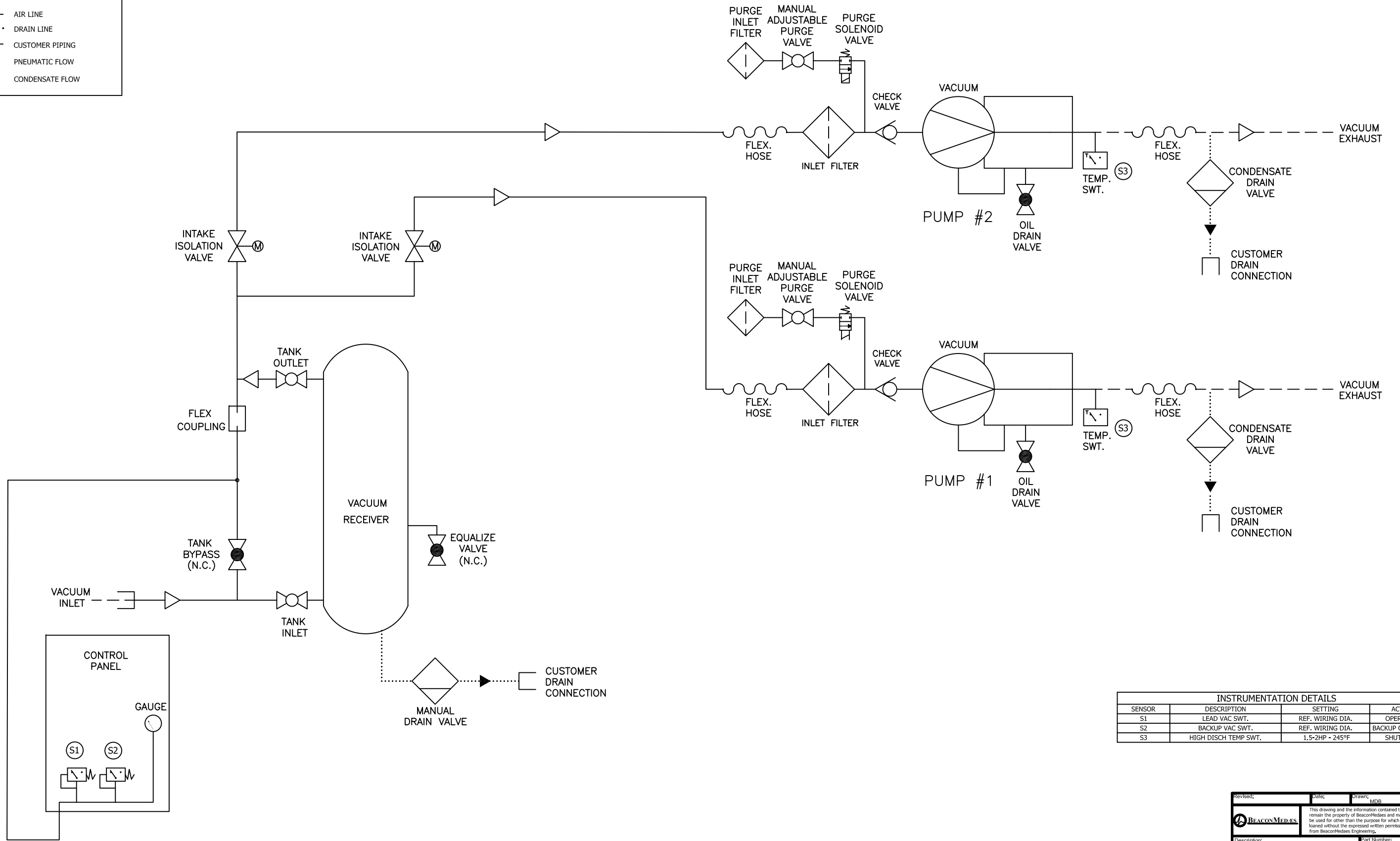
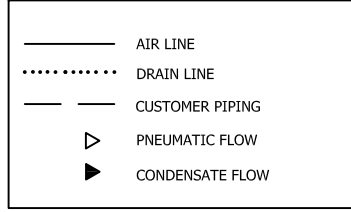


This drawing and the information contained herein remain the property of BeaconMedas and may not be used for other than the purpose for which it is loaned without the expressed written permission from BeaconMedas Engineering.



INSTRUMENTATION DETAILS			
SENSOR	DESCRIPTION	SETTING	ACTION
S1	LEAD VAC SWT.	REF. WIRING DIA.	OPERATION
S2	BACKUP VAC SWT.	REF. WIRING DIA.	BACKUP OPERATION
S3	HIGH DISCH TEMP SWT.	1.5-2HP - 245°F	SHUTDOWN

Revised:	Date:	Drawn:	Date:
		MDR	10/16/2017
		This drawing and the information contained herein remain the property of BeaconMedas and may not be used for other than the purpose for which it is loaned without the expressed written permission from BeaconMedas Engineering.	
Description: PNEUMATIC DIAGRAM LAB DX 1.5-2HP LUBE VTM V 30G BASIC		Part Number: 4107 8563 37	
Drawn: HOP170937		Rev: 00	
Sheet 1 of 1		DO NOT SCALE THIS DOCUMENT	