

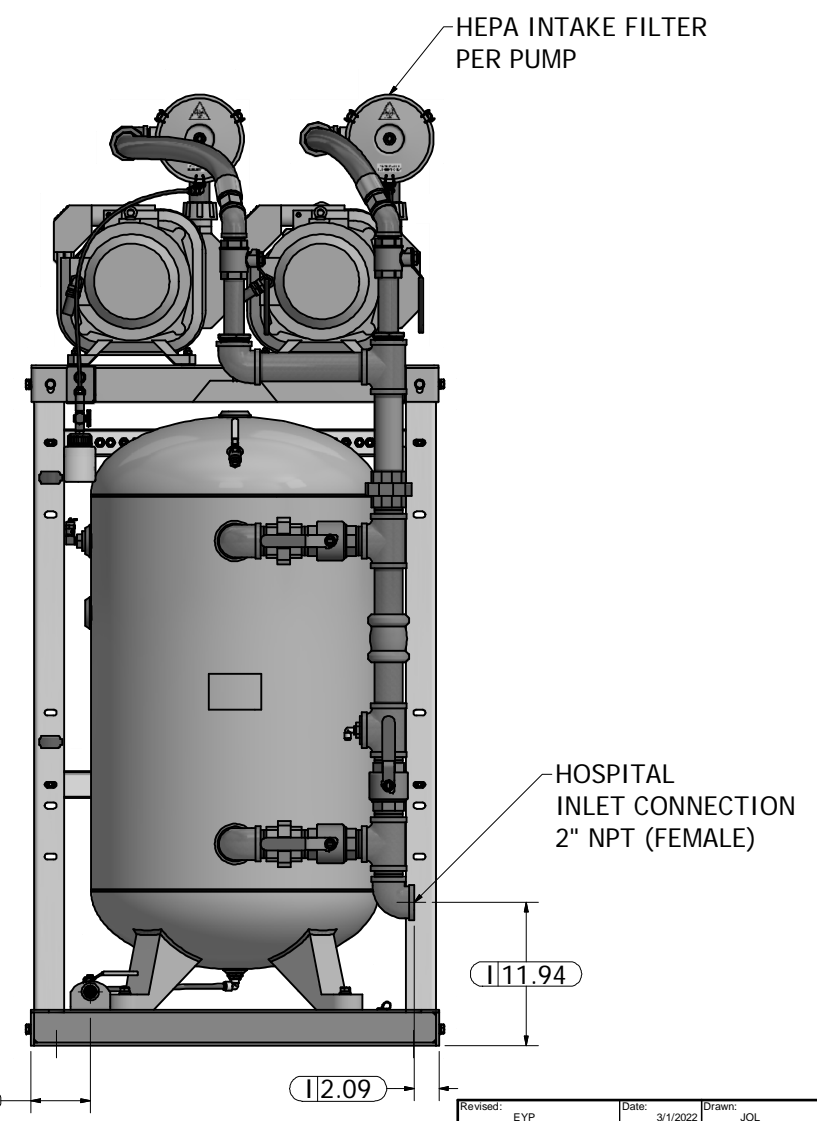
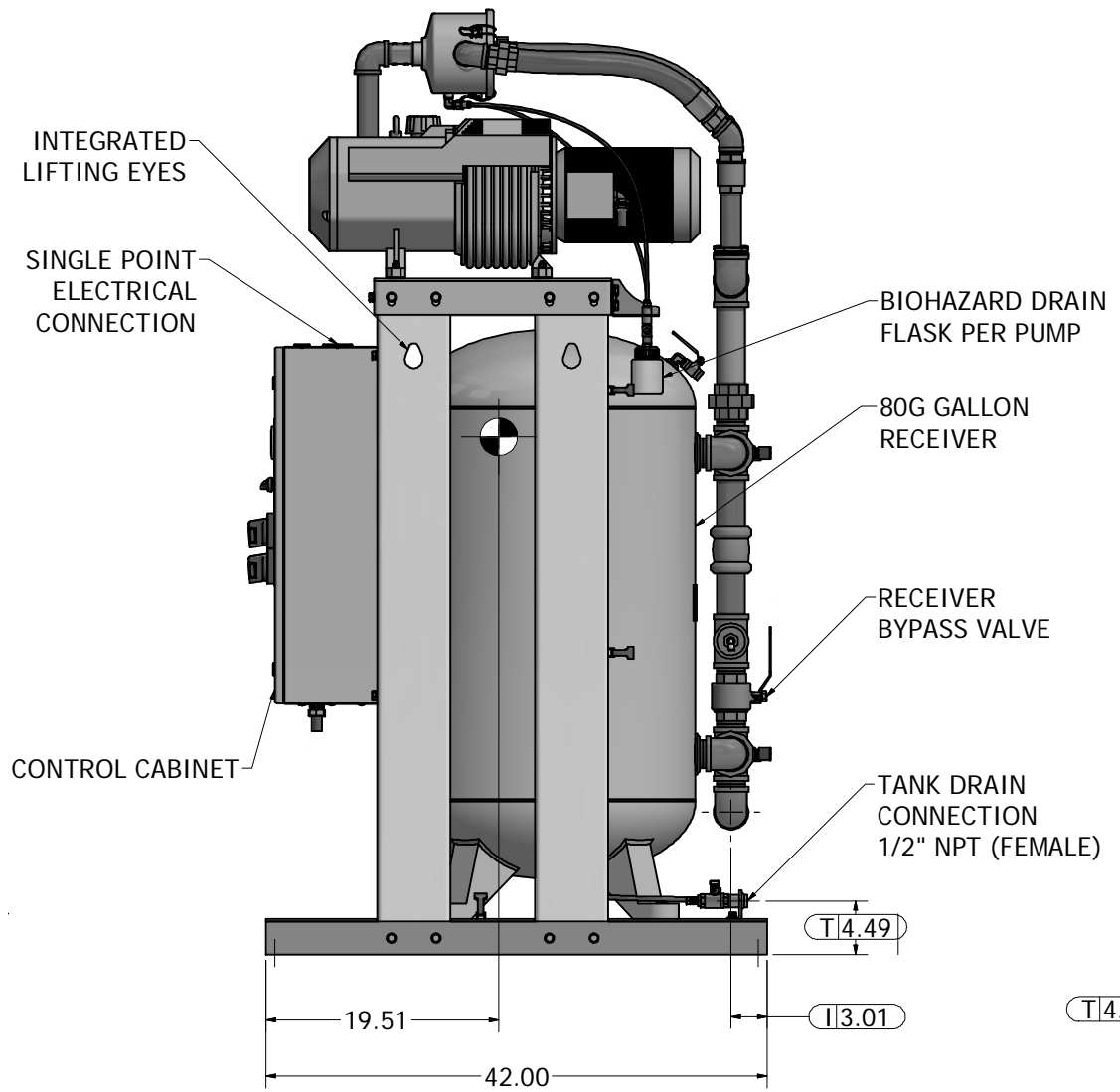
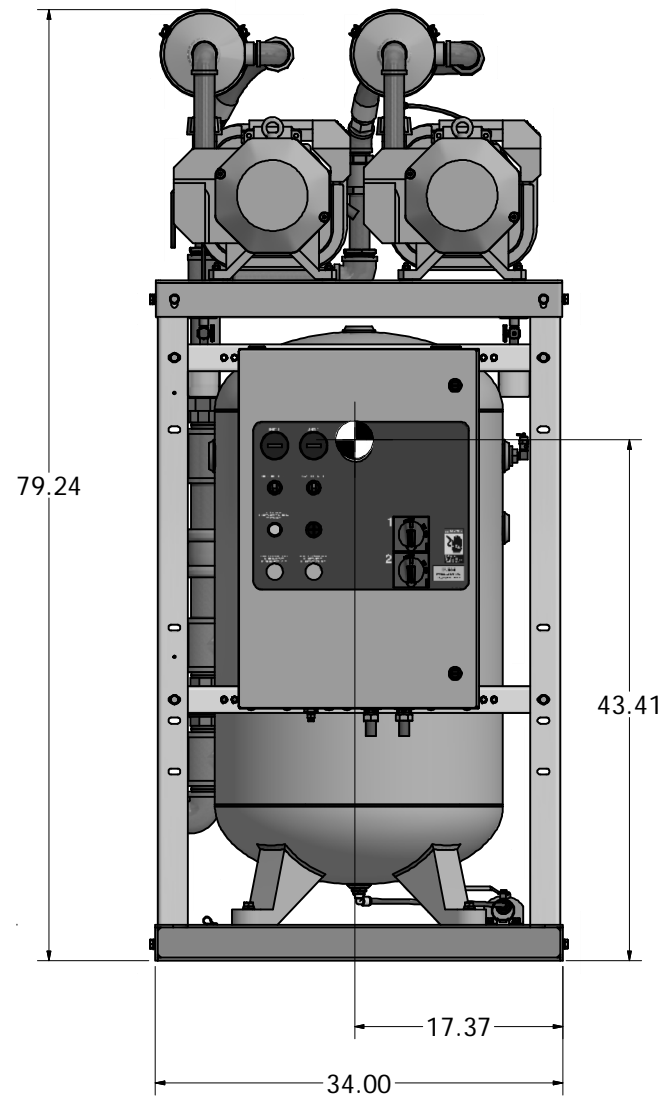
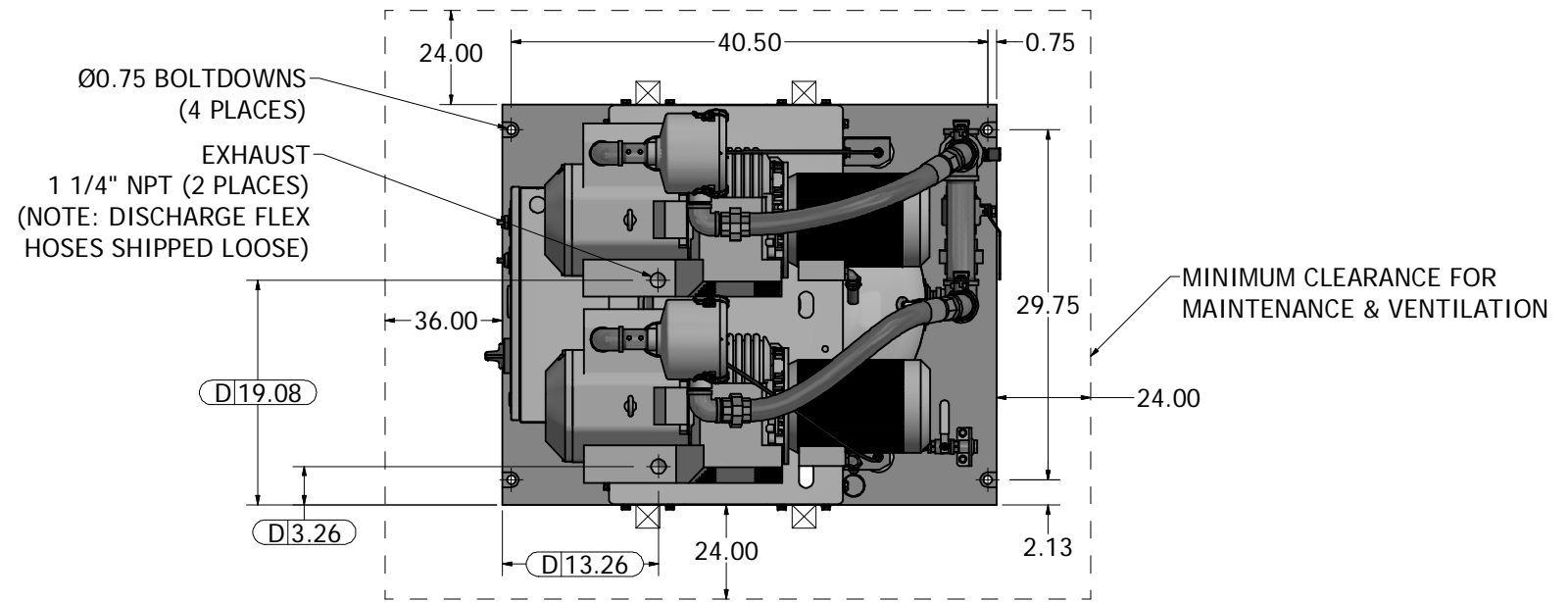



This drawing and the information contained herein remain the property of BeaconMedics and may not be used for other than the purpose for which it is loaned without the expressed written permission from BeaconMedics Engineering.

- Notes:
1. SYSTEM WEIGHT: 1224 LBS
 2.  INDICATES LIFTING POINTS
 3.  DENOTES CENTER OF GRAVITY

SYSTEM CONNECTIONS	
ID	DESCRIPTION
I	INLET LOCATION
D	DISCHARGE LOCATION
T	TANK DRAIN



Revised: EYP	Date: 3/1/2022	Drawn: JOL	Date: 7/13/2015
		Scale: D	
Description: GENERAL ASSEMBLY DX 5HP DRY VTM V 80G BASIC		Part Number: 4107 8553 17	
Sheet 1 of 1		Rev: 02	DO NOT SCALE THIS DOCUMENT