

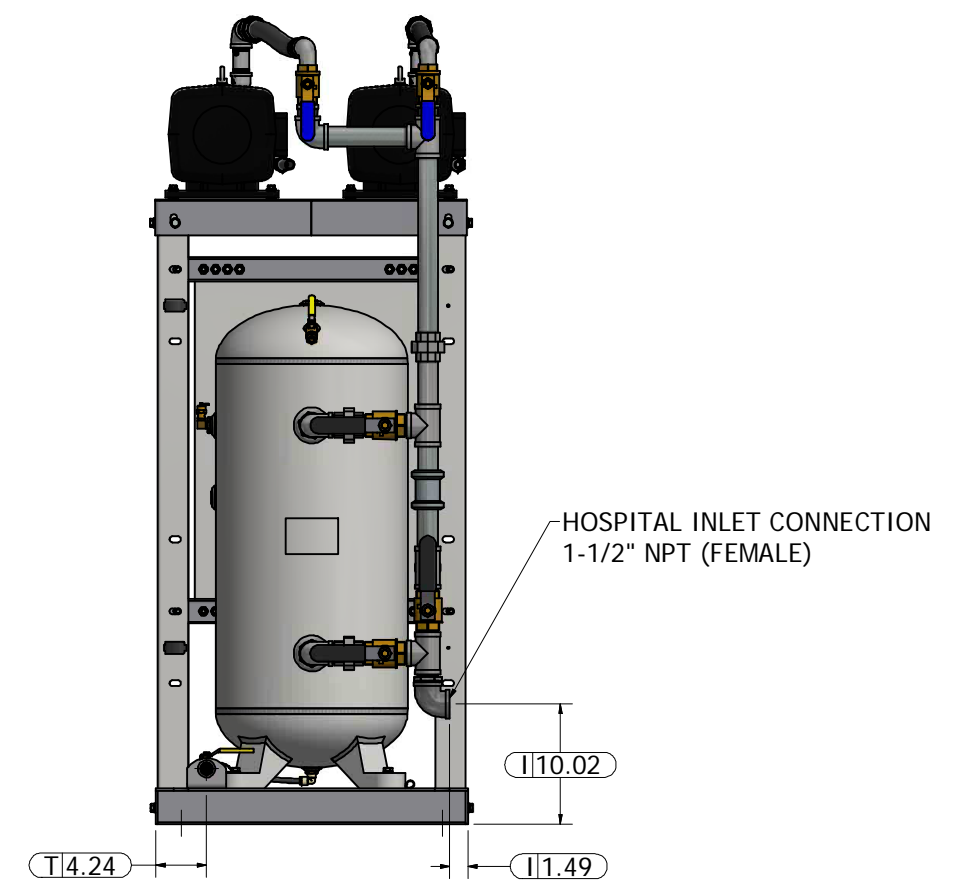
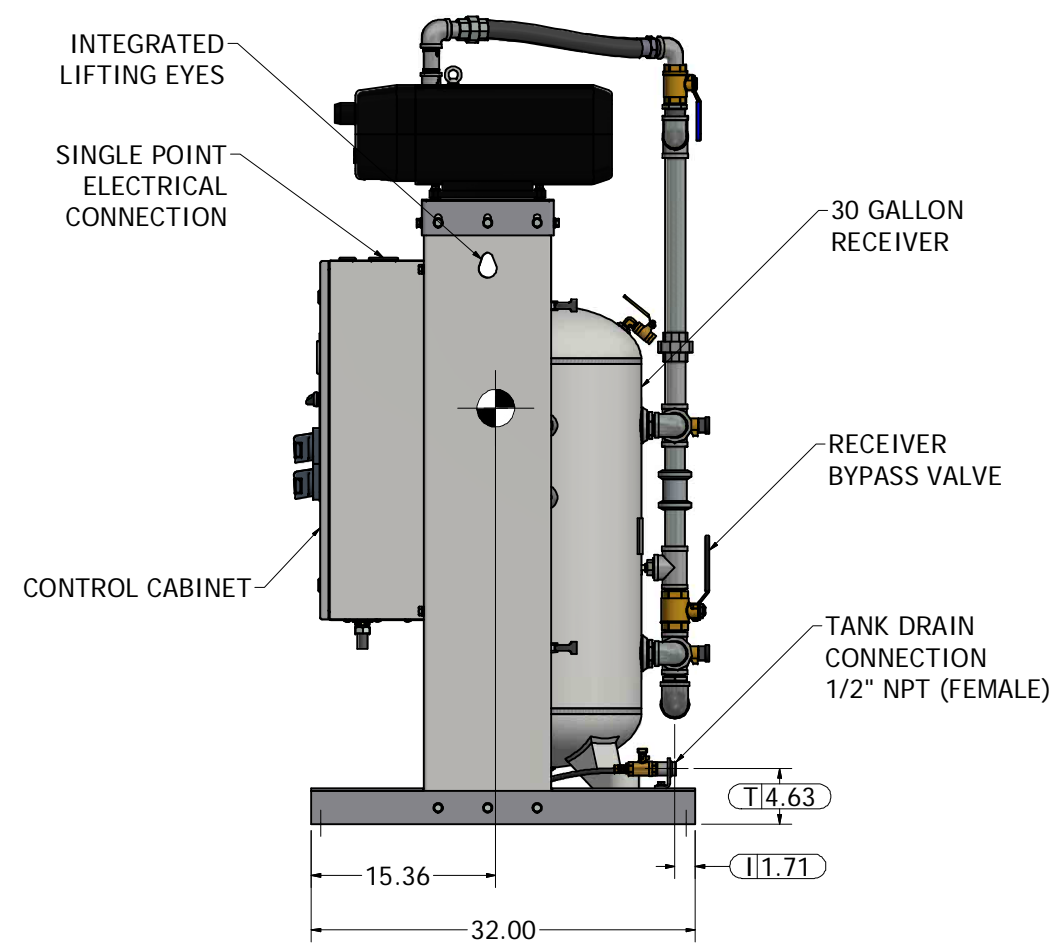
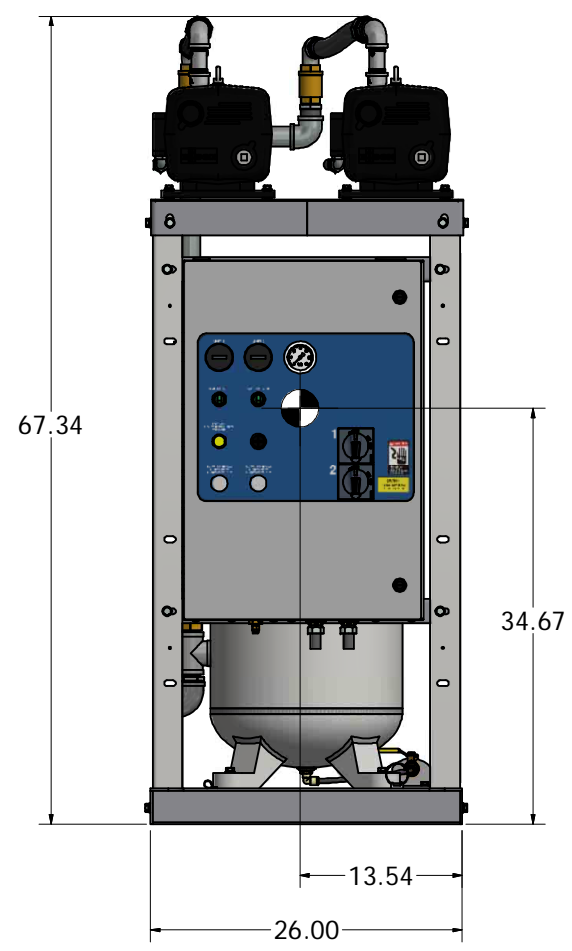
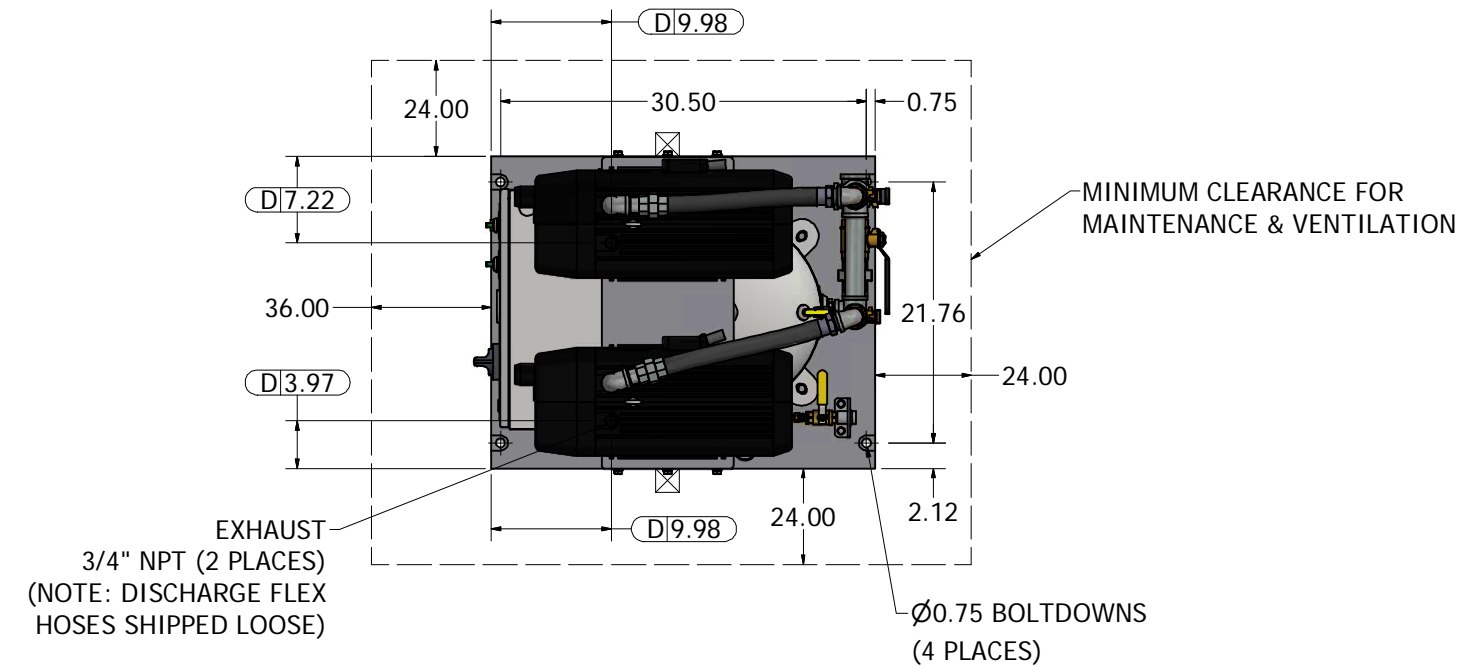




This drawing and the information contained herein remain the property of BeaconMedaes and may not be used for other than the purpose for which it is loaned without the expressed written permission from BeaconMedaes Engineering.

Notes:

1. SYSTEM WEIGHT: 539 LBS
2.  INDICATES LIFTING POINTS
3.  DENOTES CENTER OF GRAVITY

SYSTEM CONNECTIONS	
ID	DESCRIPTION
I	INLET LOCATION
D	DISCHARGE LOCATION
T	TANK DRAIN



Revised: MDB	Date: 05/13/2019	Drawn: JOL	Date: 04/20/2015
INSPECTION CHECKLIST UNLESS OTHERWISE SPECIFIED:		 	
ALL ITEMS MARKED BY ONE OF THE ABOVE SYMBOLS ARE TO BE INSPECTED EQUIPMENT TO BE USED DURING RECEIVING INSPECTION SHALL BE PER QUALITY SYSTEM PROCEDURES		Description: <b>GENERAL ASSEMBLY DX 2HP DRY VTM V 30G BASIC</b>	Part Number: 4107 8553 13 Rev: 01 Sheet 1 of 1
BEACONMEDAES This drawing and the information contained herein remain the property of BeaconMedaes and may not be used for other than the purpose for which it is loaned without the expressed written permission from BeaconMedaes Engineering.		Scale: <b>D</b> DO NOT SCALE THIS DOCUMENT	