

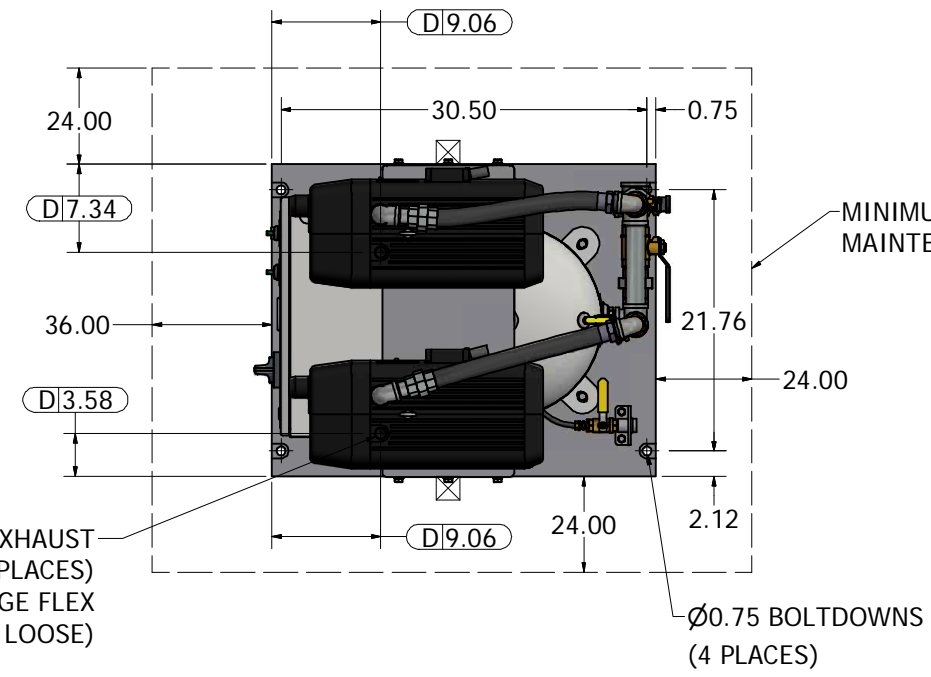


This drawing and the information contained herein remain the property of BeaconMedics and may not be used for other than the purpose for which it is loaned without the expressed written permission from BeaconMedics Engineering.

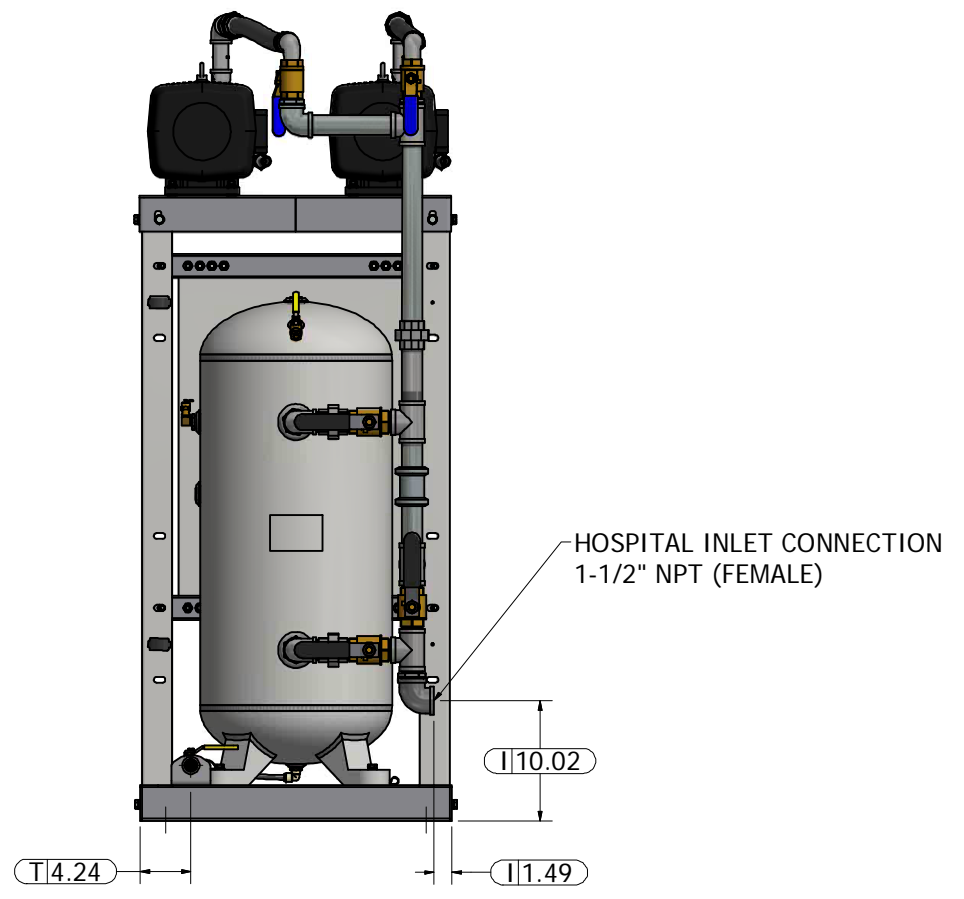
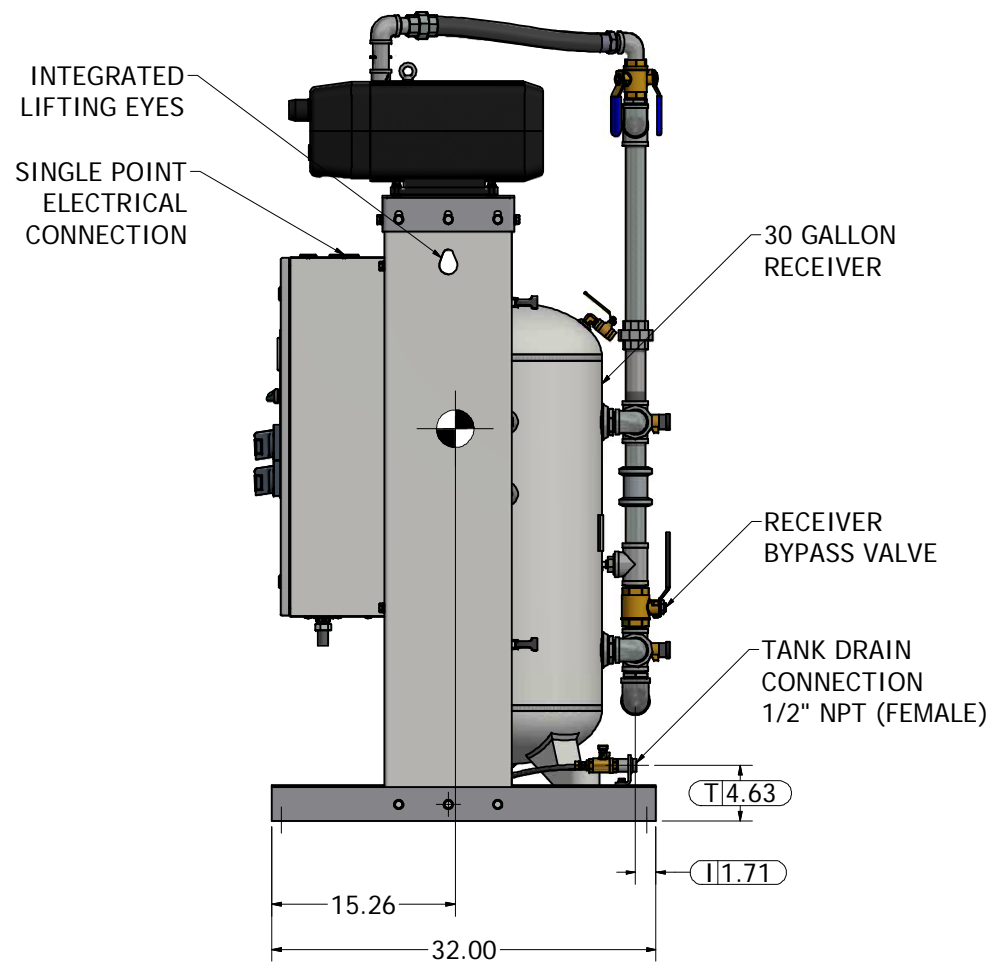
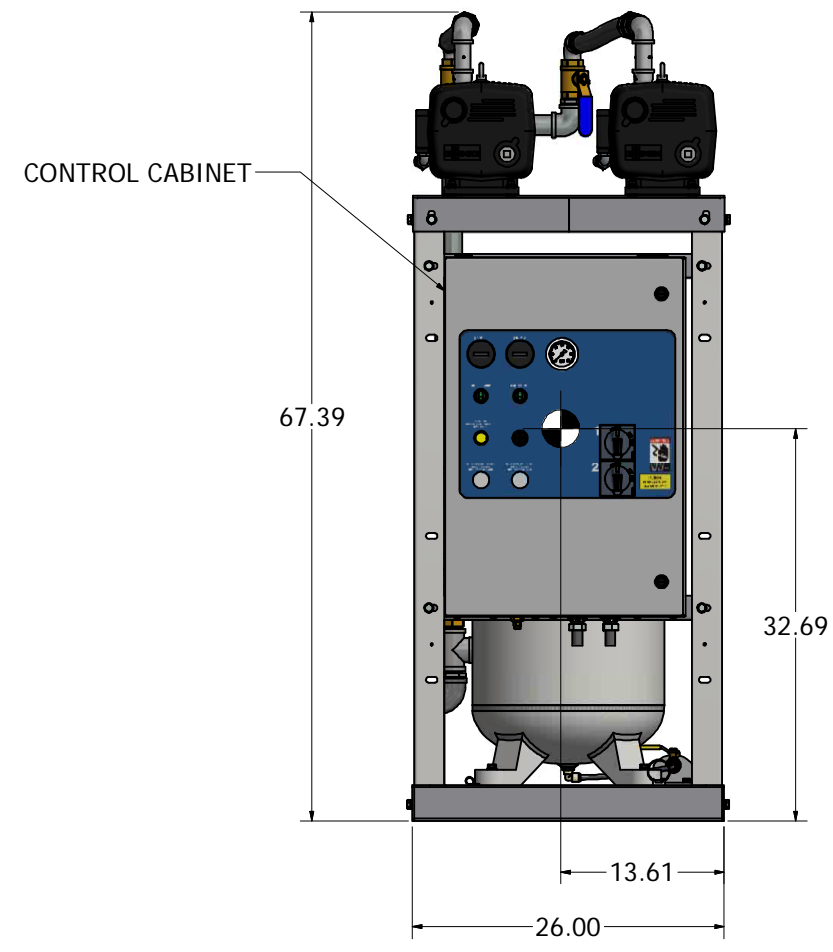
Notes:


1. SYSTEM WEIGHT: 498 LBS
2.  INDICATES LIFTING POINTS
3.  DENOTES CENTER OF GRAVITY

SYSTEM CONNECTIONS	
ID	DESCRIPTION
I	INLET LOCATION
D	DISCHARGE LOCATION
T	TANK DRAIN



EXHAUST
3/4" NPT (2 PLACES)
(NOTE: DISCHARGE FLEX
HOSES SHIPPED LOOSE)



Revised: MDB	Date: 05/15/2019	Drawn: JOL	Date: 04/20/2015
		This drawing and the information contained herein remain the property of BeaconMedics and may not be used for other than the purpose for which it is loaned without the expressed written permission from BeaconMedics Engineering.	
Description: GENERAL ASSEMBLY DX 1.5HP DRY VTM V 30G BASIC		Part Number: 4107 8553 10	
DN: BM190344		Rev: 01	
Sheet 1 of 1		DO NOT SCALE THIS DOCUMENT	