

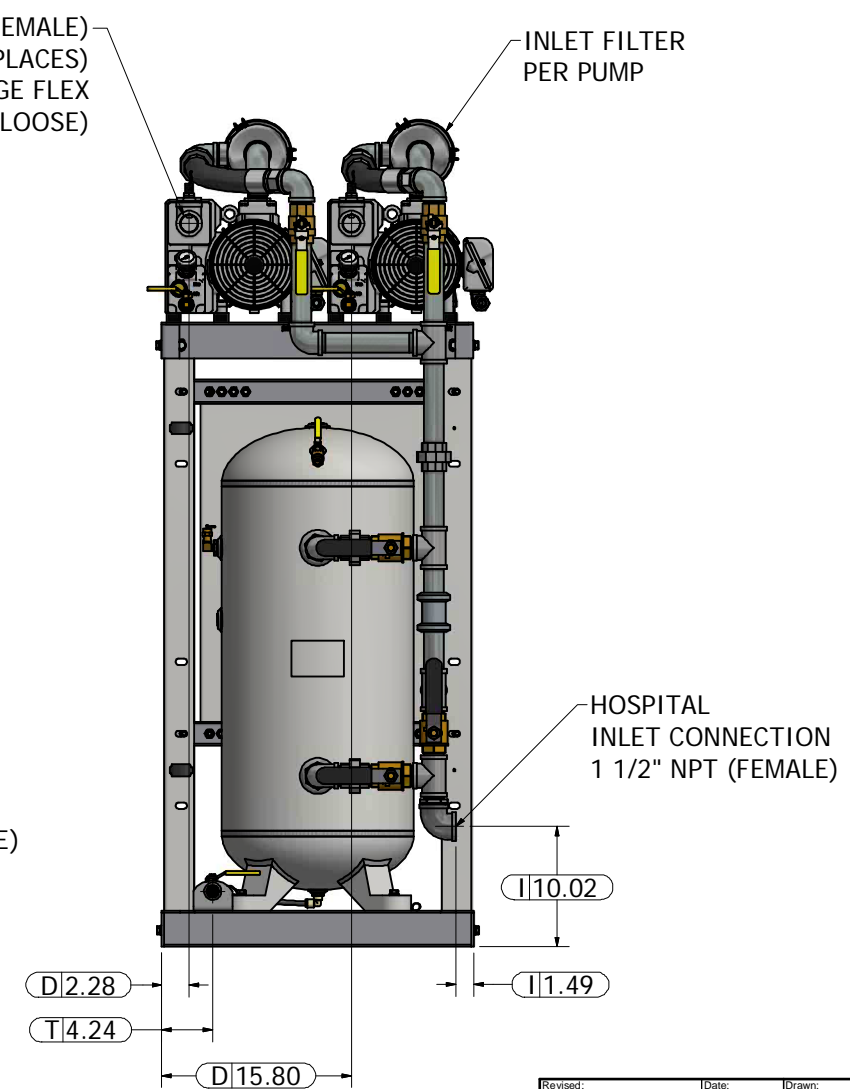
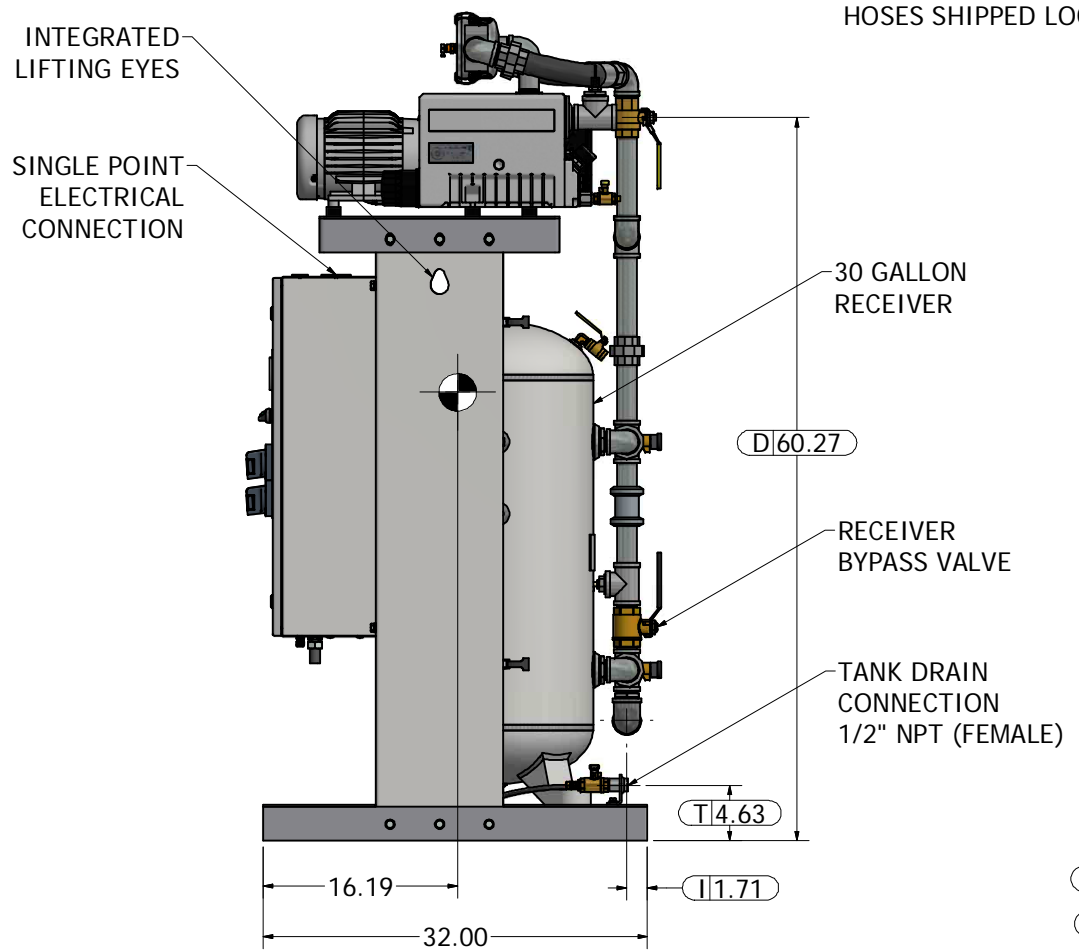
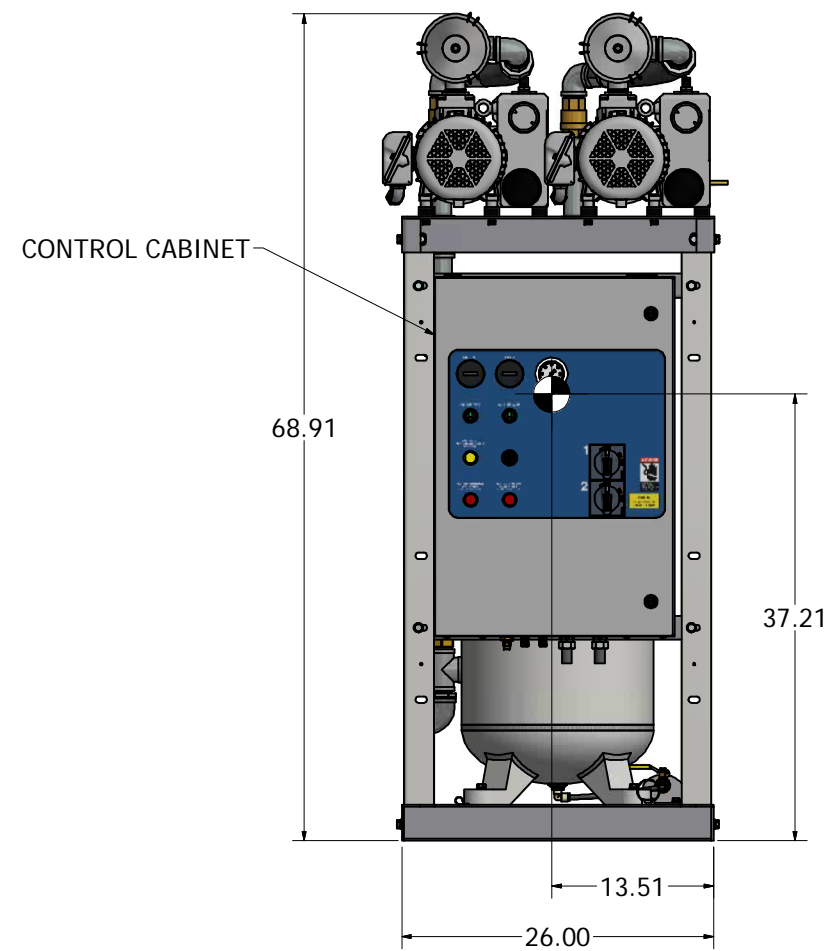
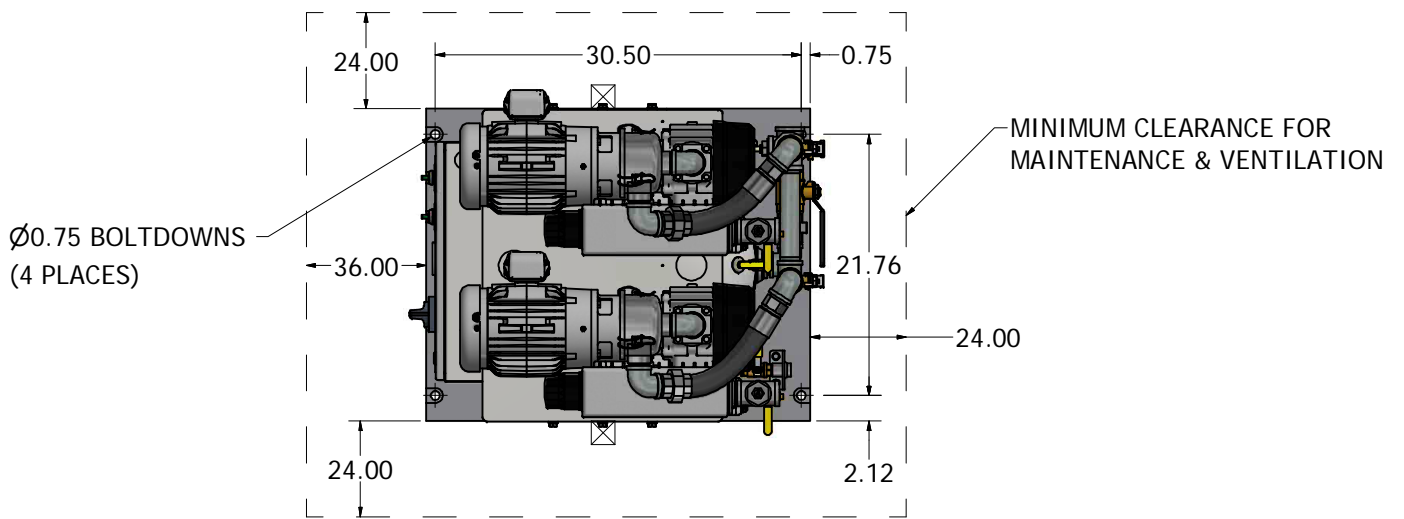




This drawing and the information contained thereon remain the property of BeaconMedics and may not be used for other than the purpose for which it is loaned without the expressed written permission from BeaconMedics Engineering.

- Notes:
1. SYSTEM WEIGHT: 612 LBS
 2.  INDICATES LIFTING POINTS
 3.  DENOTES CENTER OF GRAVITY

SYSTEM CONNECTIONS	
ID	DESCRIPTION
I	INLET LOCATION
D	DISCHARGE LOCATION
T	TANK DRAIN



Revised: MDB	Date: 05/14/2019	Drawn: JOL	Date: 07/13/2015
INSPECTION CHECKLIST UNLESS OTHERWISE SPECIFIED:		UNLESS OTHERWISE SPECIFIED ALL DIMENSIONS ARE IN INCHES AND TOLERANCES ARE: XX ± .02 XXX ± .005 ANGLES ± .5°	
  ALL ITEMS MARKED BY ONE OF THE ABOVE SYMBOLS ARE TO BE INSPECTED EQUIPMENT TO BE USED DURING RECEIVING INSPECTION SHALL BE PER QUALITY SYSTEM PROCEDURES		Description: GENERAL ASSEMBLY DX 1.5HP LUBE VTM V 30G BASIC	Part Number: 4107 8553 35 DN: BM190345 Rev: 02 Sheet 1 of 1 DO NOT SCALE THIS DOCUMENT