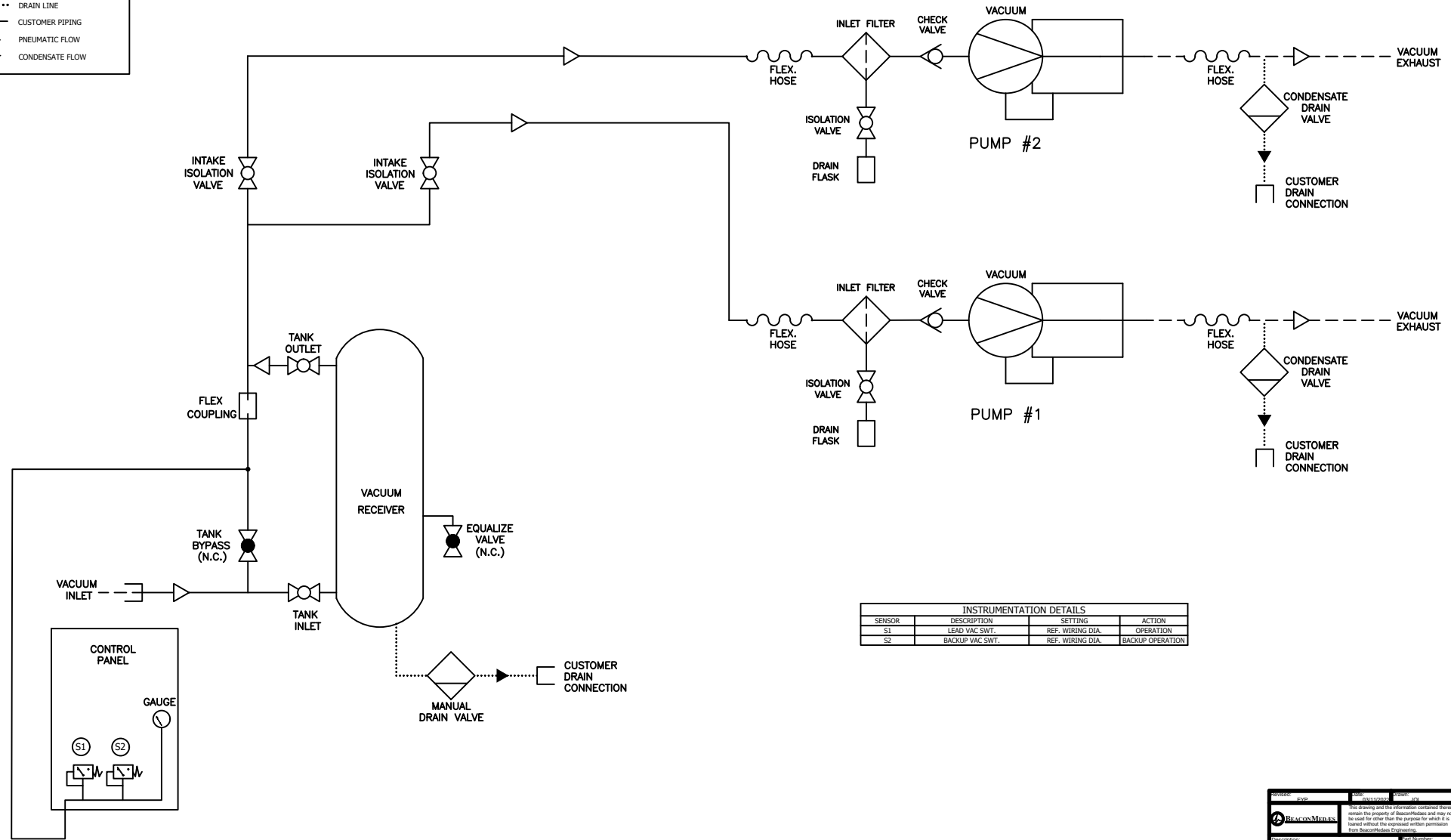
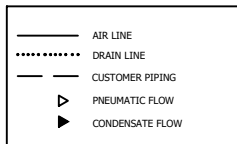


This drawing and the information contained therein remain the property of BeaconMedics and may not be used for other than the purpose for which it is issued without the expressed written permission from BeaconMedics Engineering.



INSTRUMENTATION DETAILS			
SENSOR	DESCRIPTION	SETTING	ACTION
S1	LEAD VAC SWT.	REF. WIRING DIA.	OPERATION
S2	BACKUP VAC SWT.	REF. WIRING DIA.	BACKUP OPERATION

REVISED:	DATE:	BY:	APPROVED:
		This drawing and the information contained herein remain the property of BeaconMedics and may not be used for other than the purpose for which it is issued without the expressed written permission from BeaconMedics Engineering.	
Description: PNEUMATIC DIAGRAM DX 1.5-5HP DRY VTM V 30-80G BASIC		Part Number: 4107 8554 36 HOP220060	Scale: NTC 01
Form F-007 Rev. 01		Sheet 1 of 1	