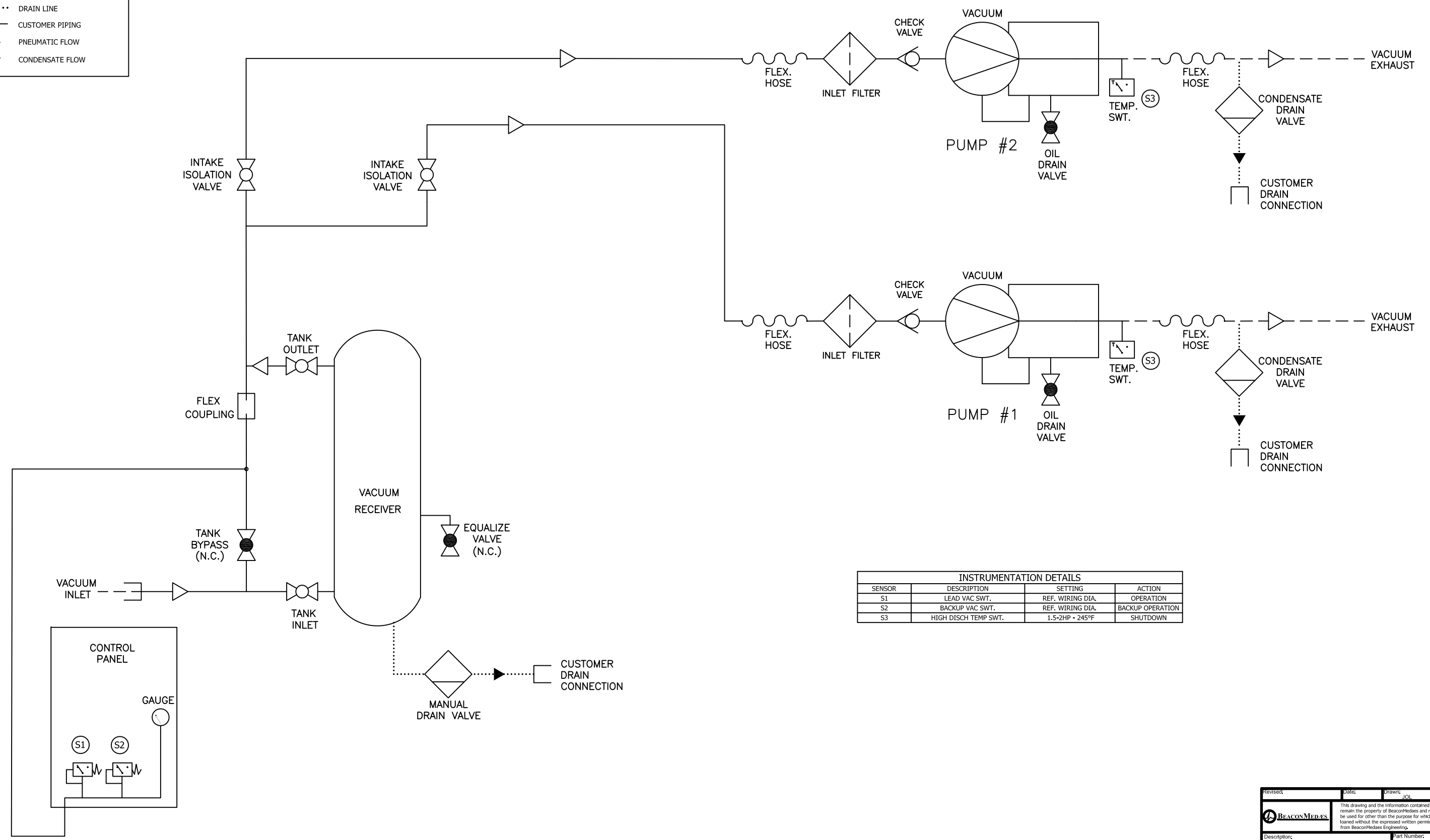
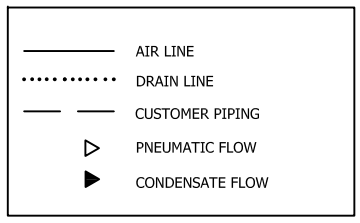
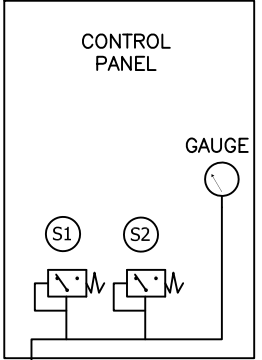


This drawing and the information contained therein remain the property of BeaconMedas and may not be used for other than the purpose for which it is loaned without the expressed written permission from BeaconMedas Engineering.



INSTRUMENTATION DETAILS			
SENSOR	DESCRIPTION	SETTING	ACTION
S1	LEAD VAC SWT.	REF. WIRING DIA.	OPERATION
S2	BACKUP VAC SWT.	REF. WIRING DIA.	BACKUP OPERATION
S3	HIGH DISCH TEMP SWT.	1.5-2HP - 245°F	SHUTDOWN



Revised:	Date:	Drawn:	JCL	Date:	01/09/2014
		<small>This drawing and the information contained herein remain the property of BeaconMedas and may not be used for other than the purpose for which it is loaned without the expressed written permission from BeaconMedas Engineering.</small>		Scale:	NTS
Description:			Part Number:		
1.5-2HP LUBE VTM V 30G BASIC			4107 8554 43		
Drawn: HOP150382 Date: 10/01/14		Title: HOP150382 Rev: 00		Sheet: 1 of 1 DO NOT SCALE THIS DOCUMENT	