

Note X:  
 - Dimension drawing standardized  
 - Air inlet flange details added  
 - Mk-IV Elektronikon changed to Mk5

Approx. Mass ±110 (LBS)		Center of gravity ±2 (inch)	
Type	Pack	Dim	Pack
ZT37VSD	3155	W	20.4
ZT55VSD	3274	L	44.8
		H	29.6

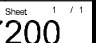
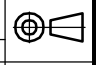
Ed.	Post.	See Note X	Geplagd van	2011-05-20	Ingev./Goedg.
Num.			Modified from	Date	Int./Appr.

All materials supplied are in compliance with the requirements of the List of Prohibited Substances


9820577200	01.11
Parent 3D model	Ed. - Versión 3D

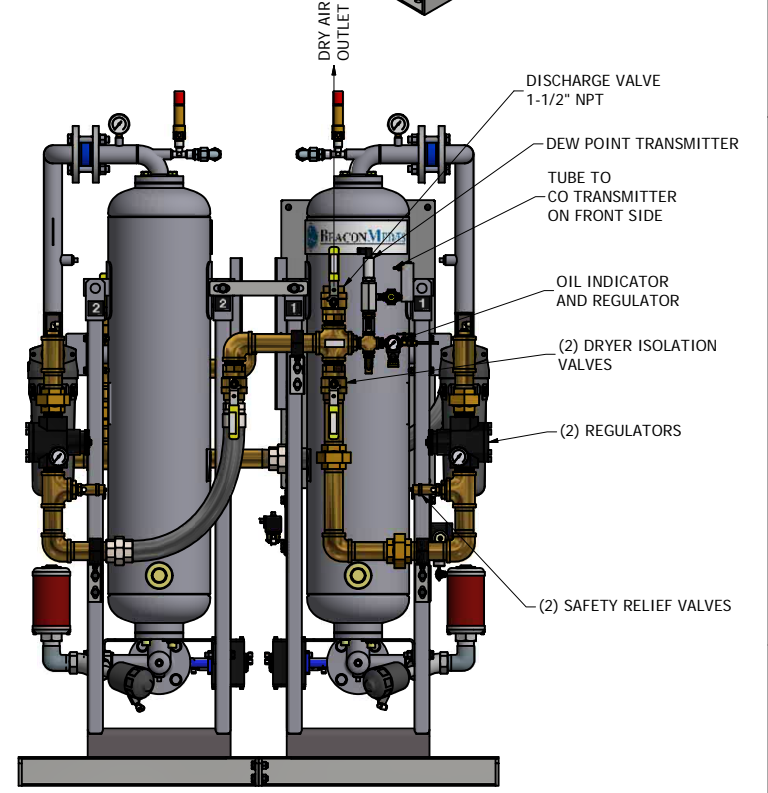
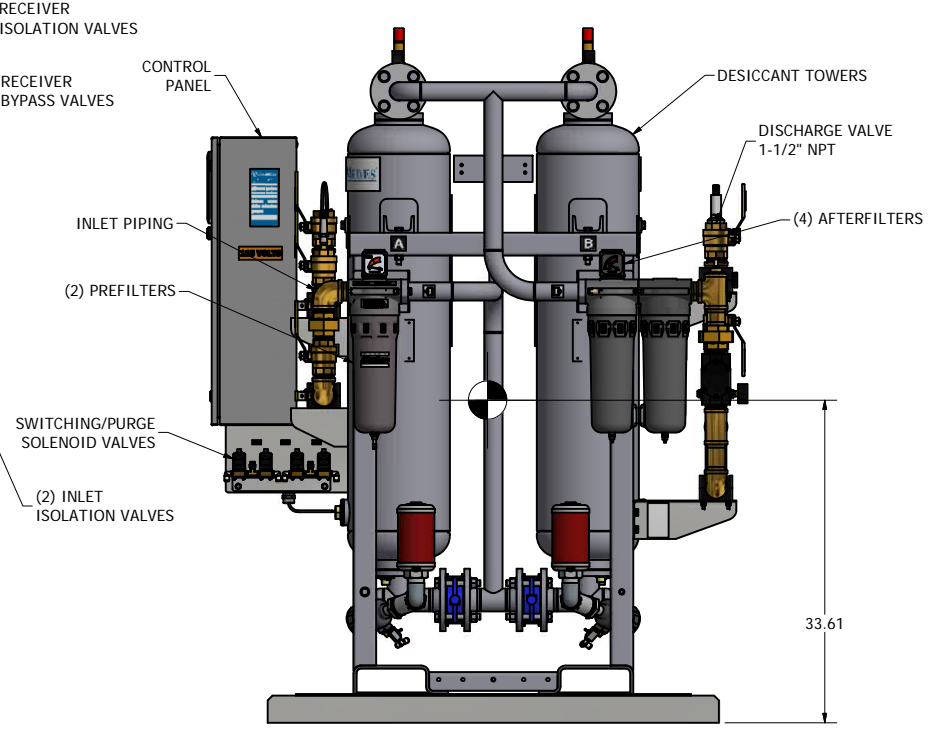
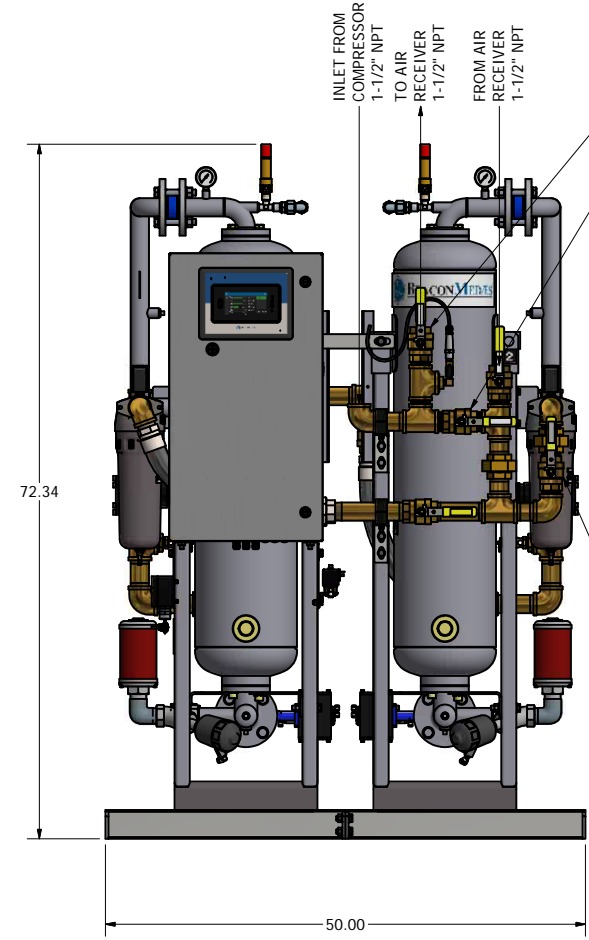
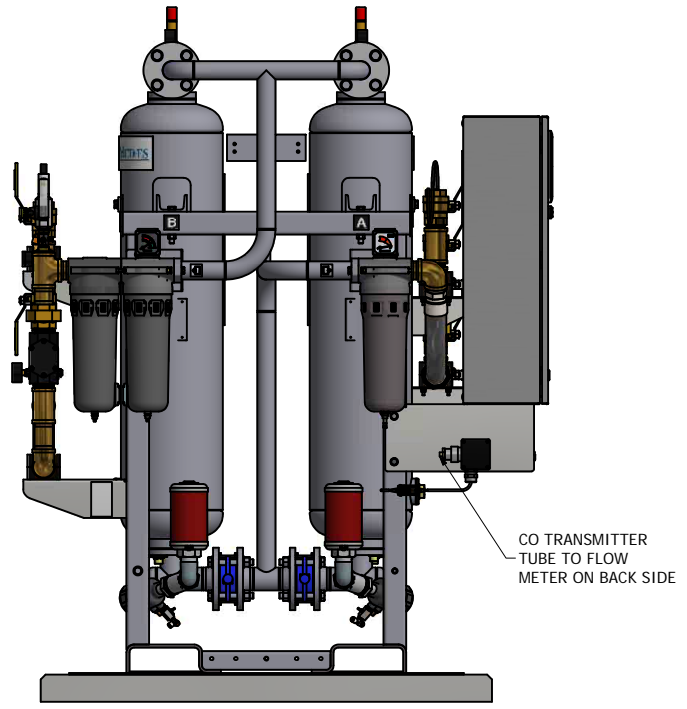
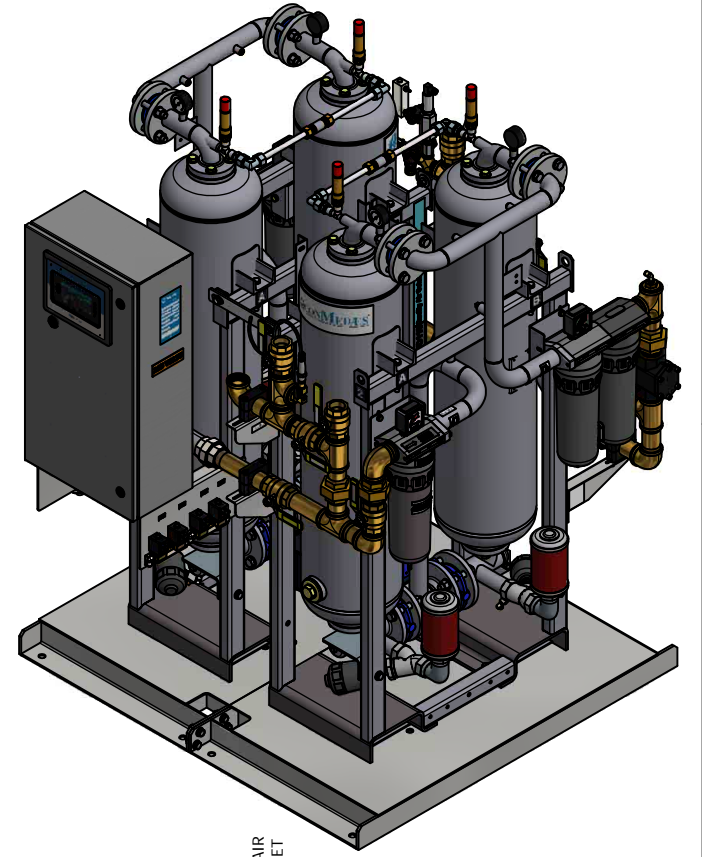
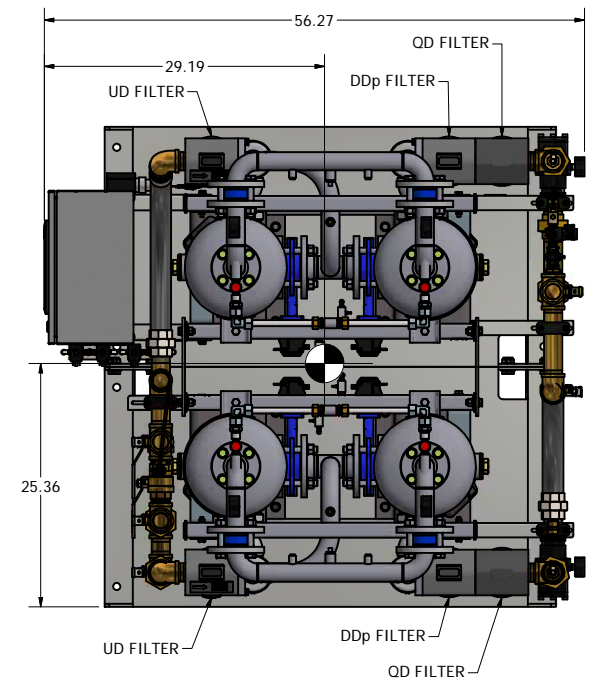
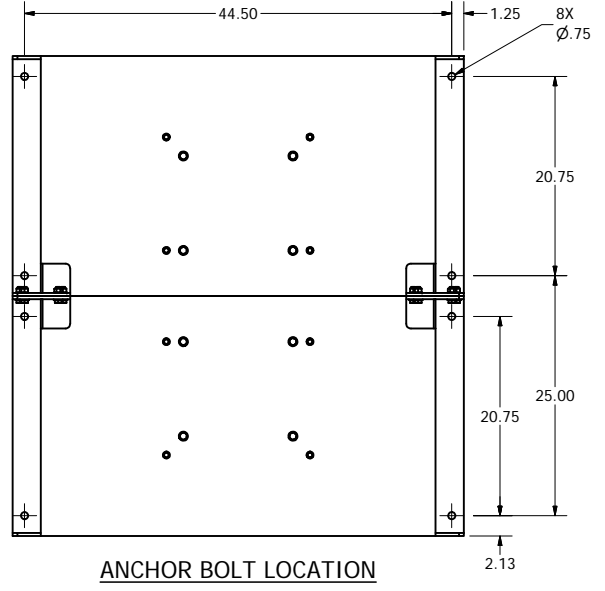
Tolerances, if not indicated, according to:		ATLAS COPCO STANDARD CLASS	
Name	DIMENS.	ZT37-55VSD+MED	Secrecy Class 1/2/3
Material	NOT APPLICABLE		INV
Treatment	Not Applicable		
Scale	1:10	Family	A/Compare
Drawn by	staman	Blank nc	Replaces
Version Dwg	02.13	Blank wt.	0 kg
Des checked.	Prod checked.	Approved.	Date 2008-01-22
9820577200		9820577200	


Note:  
 \* With full open door

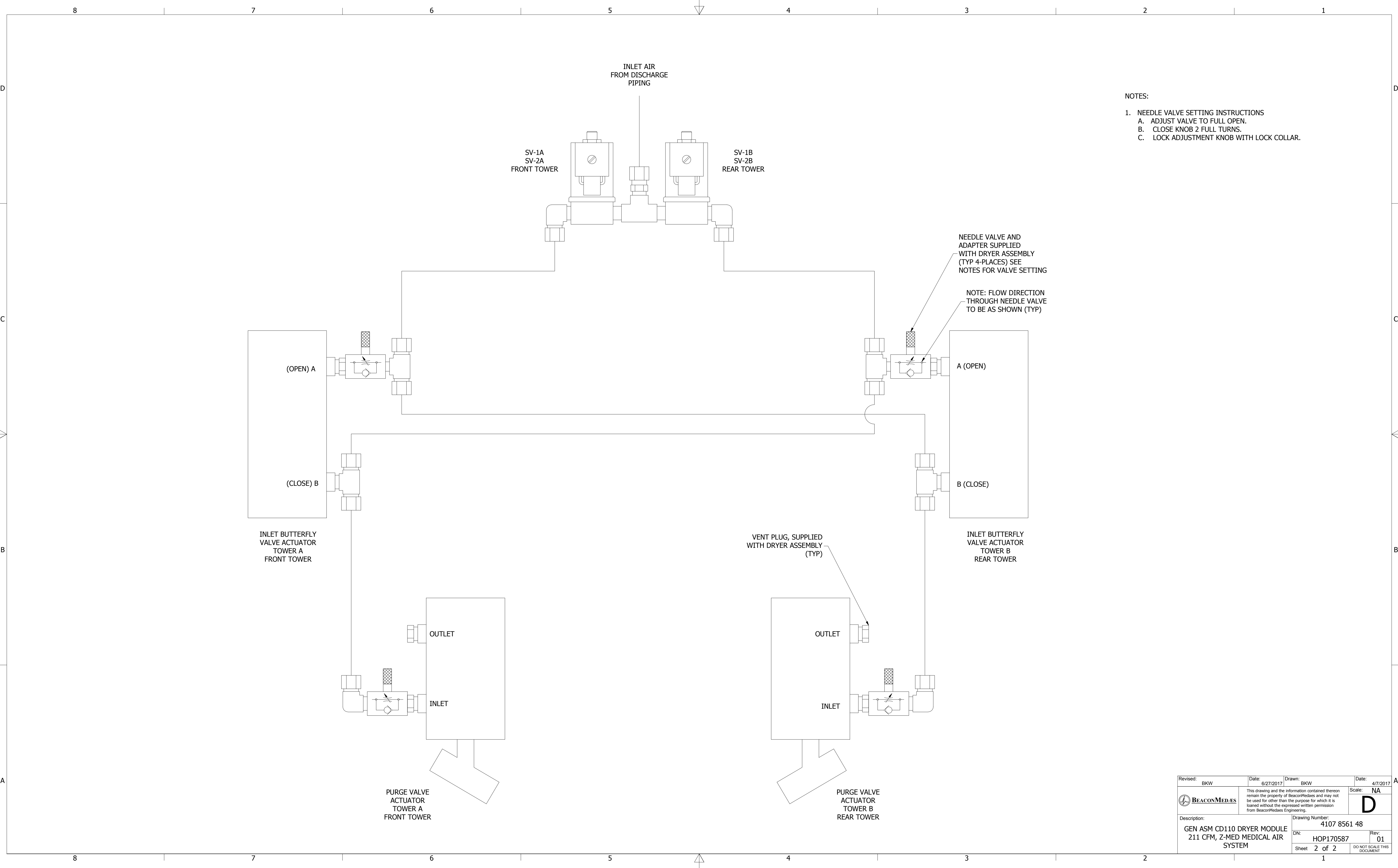


Notes:

1. ALLOW A MINIMUM OF (2) FEET ON ALL SIDES OF DRYER PACKAGE FOR PROPER VENTILATION AND MAINTENANCE.
2. BASEFRAMES ARE SHIPPED TOGETHER AND CAN BE UNBOLTED FOR PASSAGE THROUGH A STANDARD DOOR.
3. SHIPPING WIGHT: 1798 LBS.
4. SYSTEM CAPACITY: 211 CFM.
5.  INDICATES CENTER OF GRAVITY.



Revised:	Date:	Drawn:	Date:
		MDB	9/30/2020
		This drawing and the information contained therein remain the property of BeaconMedes and may not be used for other than the purpose for which it is loaned without the expressed written permission from BeaconMedes Engineering.	
Description: GEN ASM CD110 DRYER MODULE 211 CFM, Z-MED MEDICAL AIR SYSTEM MK5 TOUCH		Drawing Number: 4107 8563 69	Scale: 1/10 D
DN: HOP200566		Rev: 00	DO NOT SCALE THIS DOCUMENT
Sheet 1 of 2		1	



- NOTES:
- NEEDLE VALVE SETTING INSTRUCTIONS
    - ADJUST VALVE TO FULL OPEN.
    - CLOSE KNOB 2 FULL TURNS.
    - LOCK ADJUSTMENT KNOB WITH LOCK COLLAR.


NEEDLE VALVE AND ADAPTER SUPPLIED WITH DRYER ASSEMBLY (TYP 4-PLACES) SEE NOTES FOR VALVE SETTING

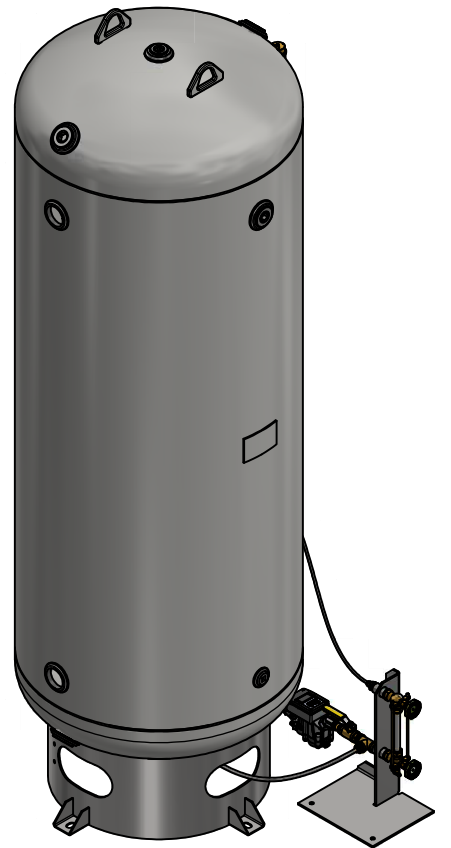
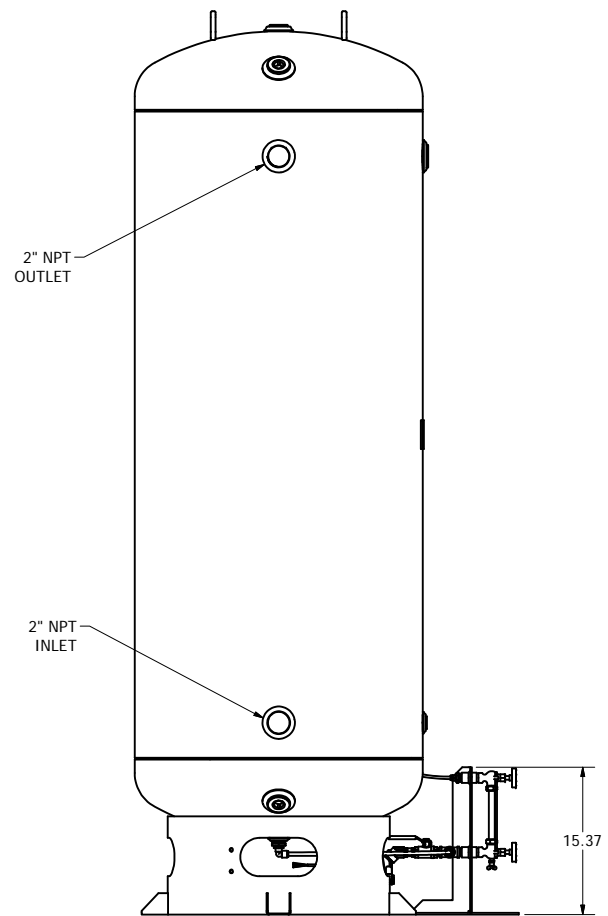
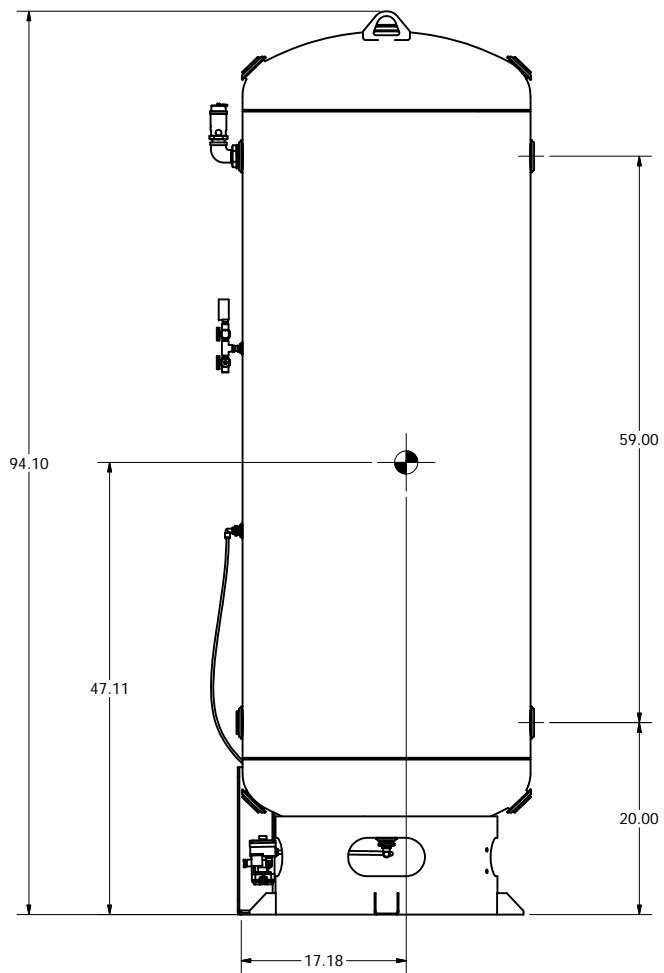
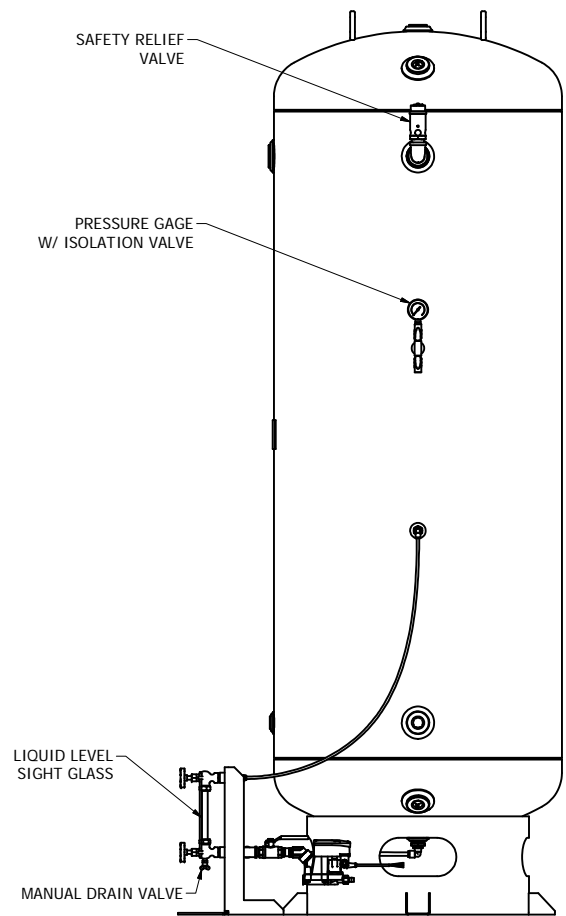
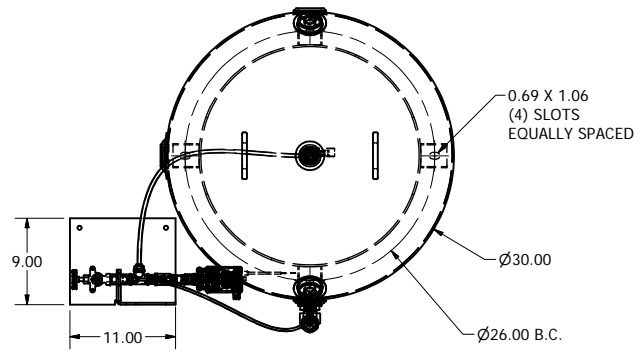
NOTE: FLOW DIRECTION THROUGH NEEDLE VALVE TO BE AS SHOWN (TYP)


VENT PLUG, SUPPLIED WITH DRYER ASSEMBLY (TYP)

Revised: BKW	Date: 6/27/2017	Drawn: BKW	Date: 4/7/2017
		This drawing and the information contained herein remain the property of BeaconMedaes and may not be used for other than the purpose for which it is loaned without the expressed written permission from BeaconMedaes Engineering.	
Description: GEN ASM CD110 DRYER MODULE 211 CFM, Z-MED MEDICAL AIR SYSTEM		Drawing Number: 4107 8561 48	
DN: HOP170587	Rev: 01	Scale: NA	
Sheet 2 of 2	DO NOT SCALE THIS DOCUMENT		

Notes:

1. ASME CODE CONSTRUCTION.
2. DESIGN PRESSURE: 200 PSI AT 400°F.
3. NATION BOARD REGISTERED.
4. ALL OPENINGS ARE NPT THREADED.
5. WEIGHT: 520 LBS (TANK) AND 22 LBS (SIGHT GLASS ASM).
6.  DENOTES CENTER OF GRAVITY.



Revised:	Date:	Drawn: MDB	Date: 7/8/2021
		This drawing and the information contained therein remain the property of BeaconMedes and may not be used for other than the purpose for which it is loaned without the expressed written permission from BeaconMedes Engineering.	
Description:		Drawing Number:	Scale: 1/10
AIR RECEIVER TANK - 240 GALLON W/STAND ALONE SIGHT GLASS & DRAIN		4107 0082 31	<b>D</b>
DN:	HOP211010	Rev:	00
Sheet	1 of 1	DO NOT SCALE THIS DOCUMENT	