

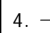
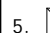
Note X:  
 - Dimension drawing standardized  
 - Air inlet flange details added.  
 - Mk-IV Elektronikon changed to Mk5

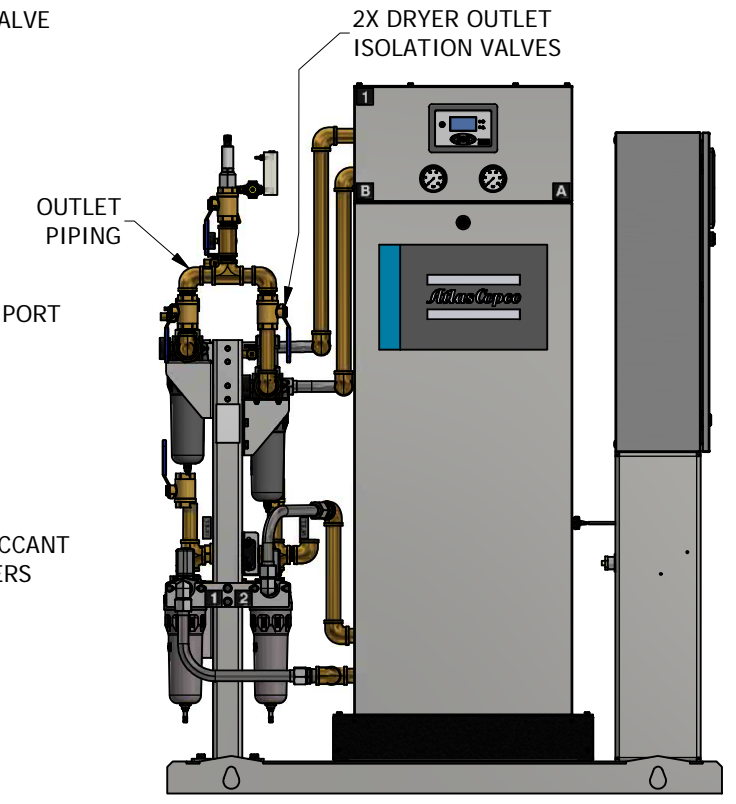
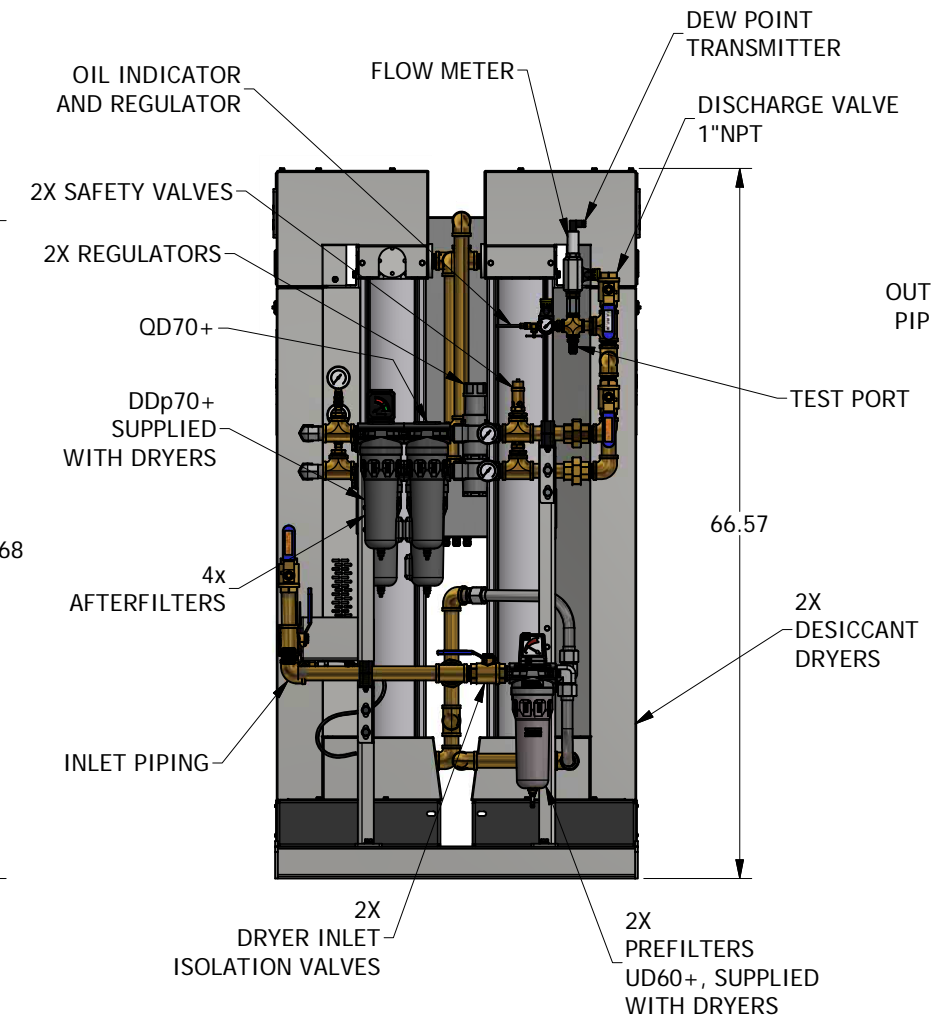
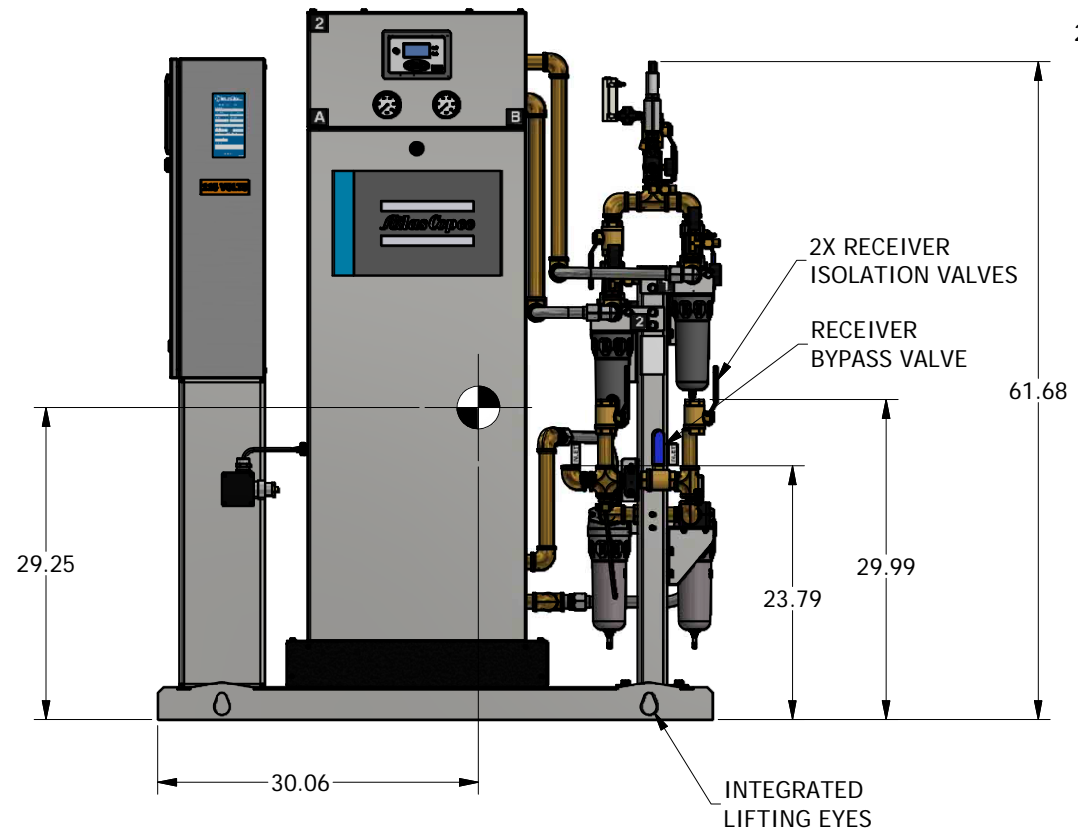
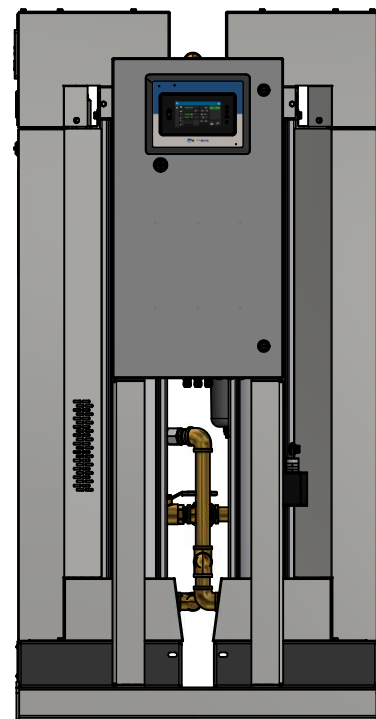
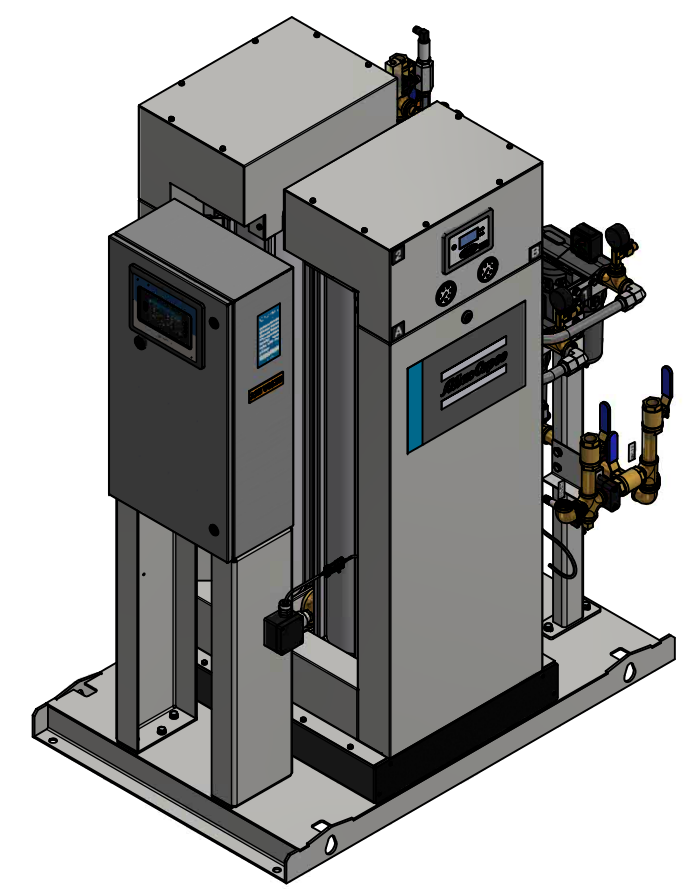
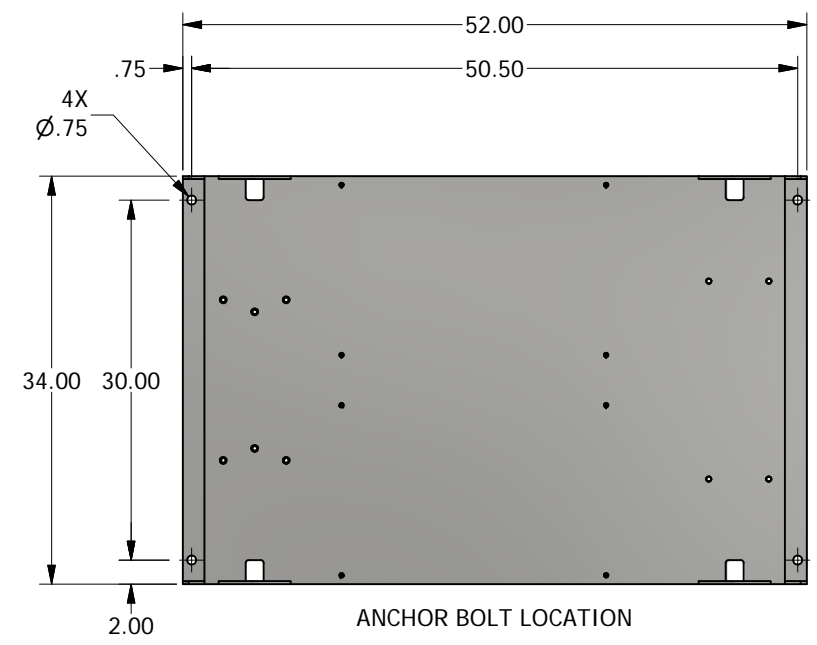
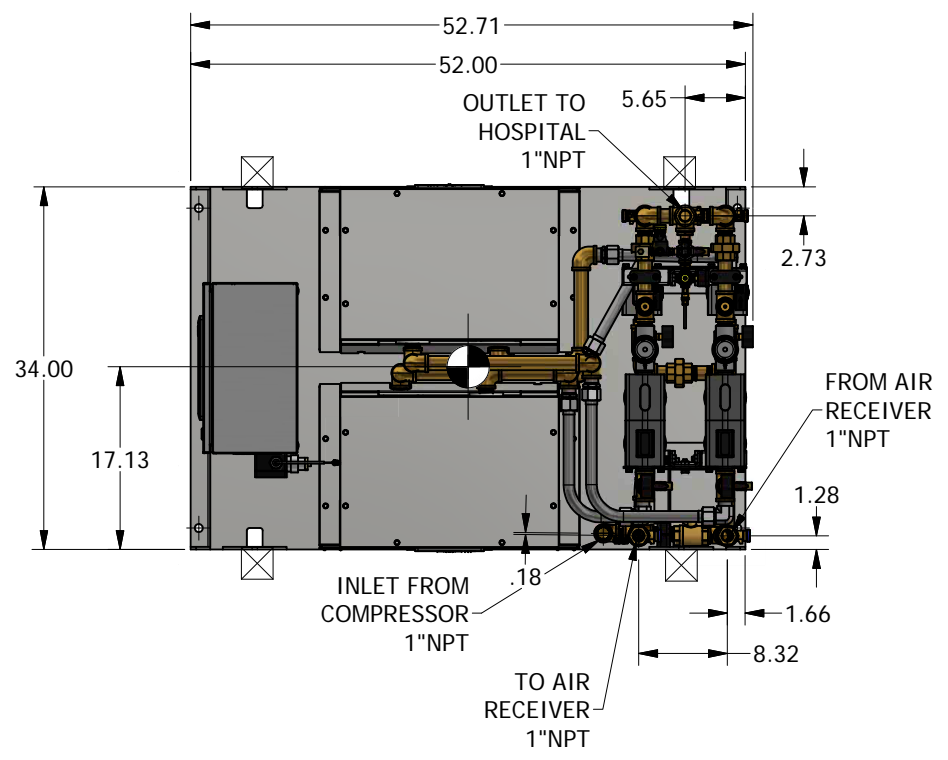
Approx. Mass ±110 (LBS)		Center of Gravity ±2 (inch)	
Type	Pack	Dim.	Pack
ZT22 VSD	2513	W	20.9
		L	44.9
		H	31.5


Note:  
 \*With full open door


All materials supplied are in compliance with the requirements of the List of Prohibited Substances

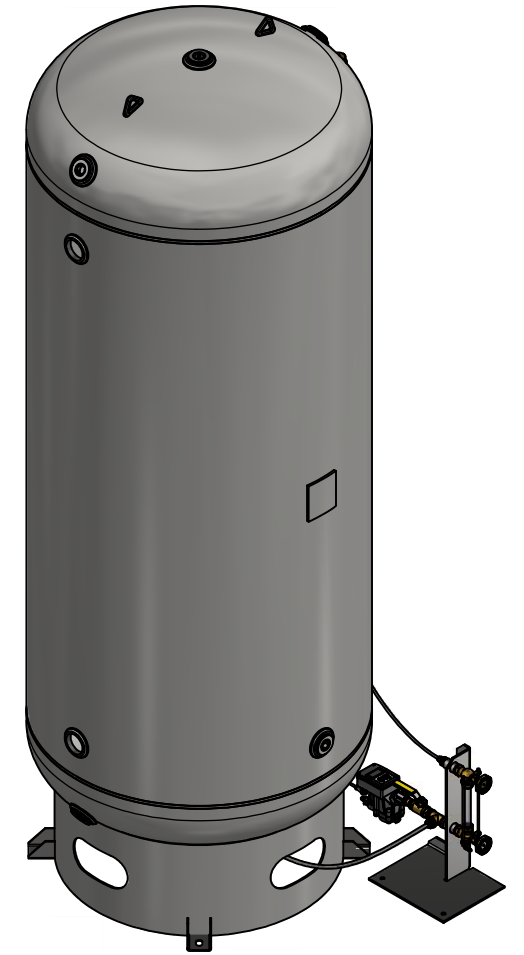
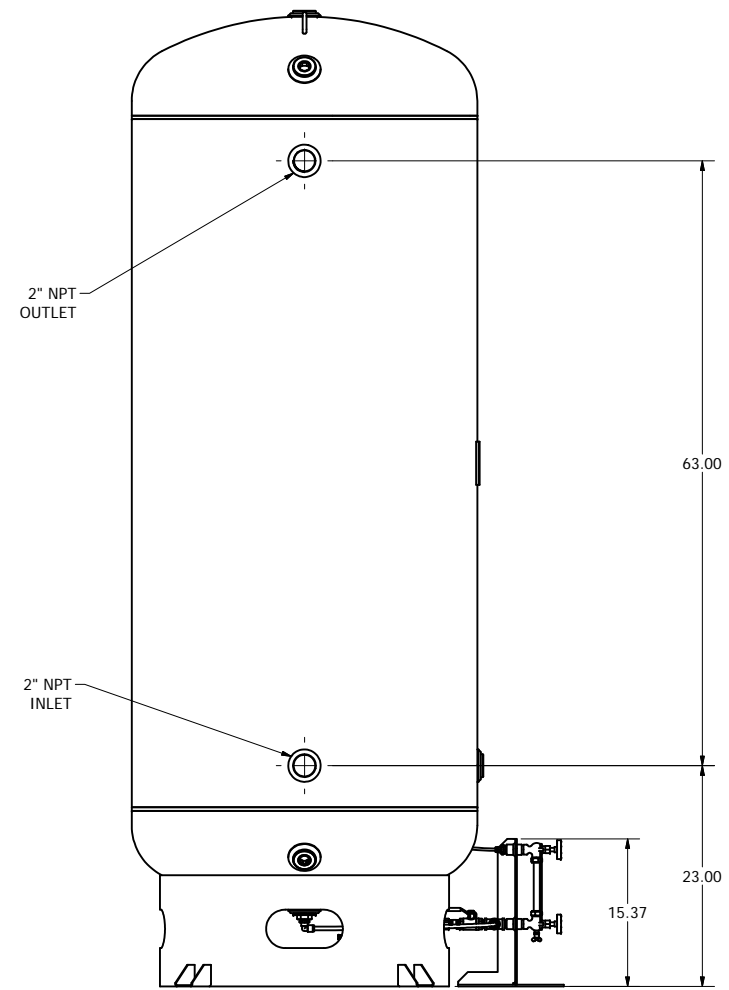
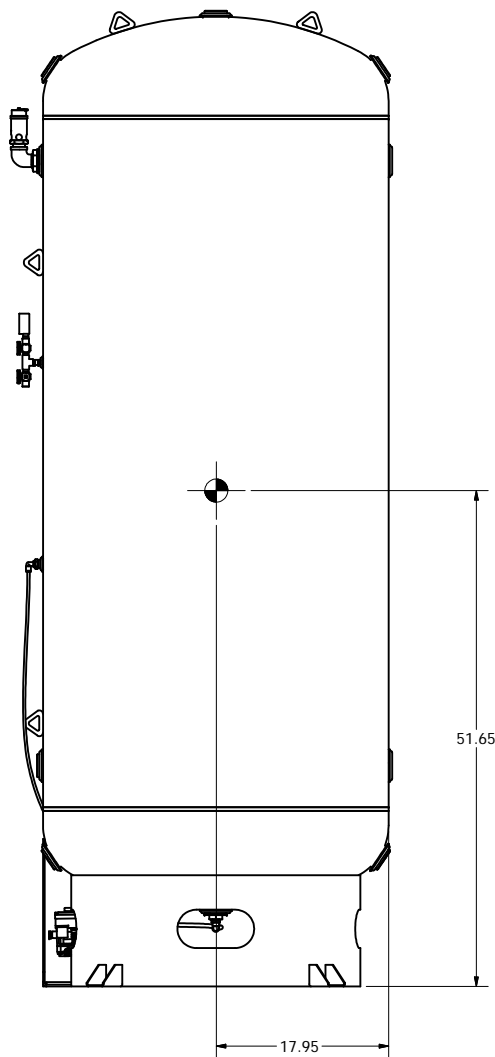
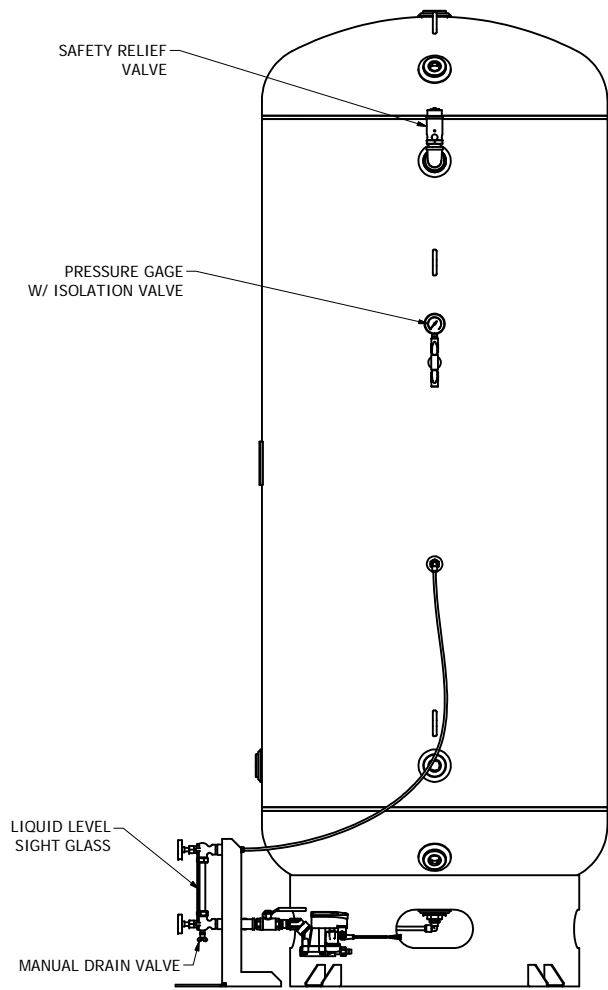
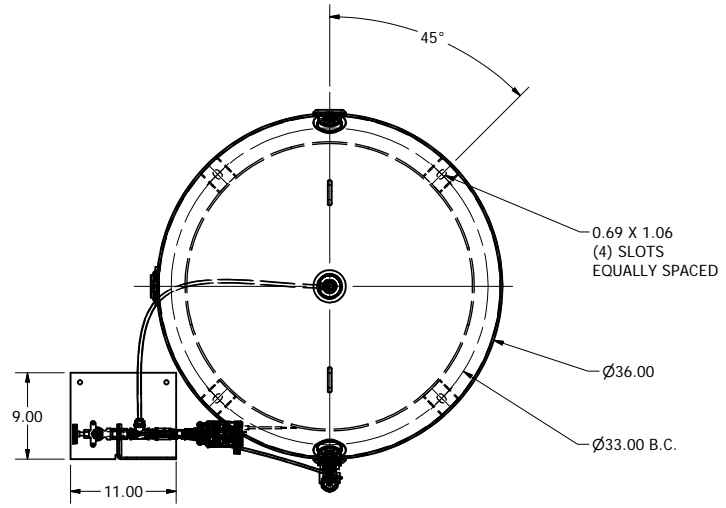
Tolerances, if not indicated, according to:		ATLAS COPCO STANDARD CLASS	
Name	DIMENS.	ZT22 VSD+MED	Secrecy Class
Material	NOT APPLICABLE		112/K 3
Treatment	Not Applicable		INV
Scale	1:10	Family	A/Compare
Drawn by	staman	Blank no.	Replaces
Version Dwg	03/08	Blank wt.	0 kg
Des. checked.	Prod. checked.	Approved.	Date
Parent 3D model		Ed. - Version 3D	02/08
9820577100		Approved	
Designation		9820577100	


- Notes:
1. ALLOW 36 INCHES IN FRONT OF CONTROL PANEL AND 24 INCHES ON ALL OTHER SIDES OF DRYER PACKAGE FOR PROPER VENTILATION AND MAINTENANCE.
  2. SHIPPING WEIGHT: ~900 LBS.
  3. SYSTEM CAPACITY: 137 CFM.
  4.  INDICATES CENTER OF GRAVITY.
  5.  INDICATES LIFTING POINTS
  6. SEE SHEET 2 FOR DRYER INLET/OUTLET PIPING DETAILS.



Revised:	Date:	Drawn:	Date:
		MDB	9/30/2020
		This drawing and the information contained therein remain the property of BeaconMedes and may not be used for other than the purpose for which it is loaned without the expressed written permission from BeaconMedes Engineering.	
Description: GENERAL ASSEMBLY CD65 DRYER MODULE 137CFM Z-MED MEDICAL AIR SYSTEM MK5 TOUCH		Drawing Number: 4107 8563 67 Rev: HOP200566 00	
Sheet 1 of 2		DO NOT SCALE THIS DOCUMENT	

- Notes:
1. ASME CODE CONSTRUCTION.
  2. DESIGN PRESSURE: 200 PSI AT 400°F.
  3. NATION BOARD REGISTERED.
  4. ALL OPENINGS ARE NPT THREADED.
  5. WEIGHT: 775 LBS (TANK) AND 22 LBS (SIGHT GLASS ASM).
  6.  DENOTES CENTER OF GRAVITY.



Revised:	Date:	Drawn: MDB	Date: 7/8/2021
		This drawing and the information contained therein remain the property of BeaconMedes and may not be used for other than the purpose for which it is loaned without the expressed written permission from BeaconMedes Engineering.	
Description: <b>AIR RECEIVER TANK - 400 GALLON          W/STAND ALONE SIGHT GLASS &amp;          DRAIN</b>		Drawing Number: <b>4107 0082 32</b>	Scale: <b>1/10</b>
DN: <b>HOP211010</b>		Rev: <b>00</b>	Sheet <b>1 of 1</b>
		DO NOT SCALE THIS DOCUMENT	