
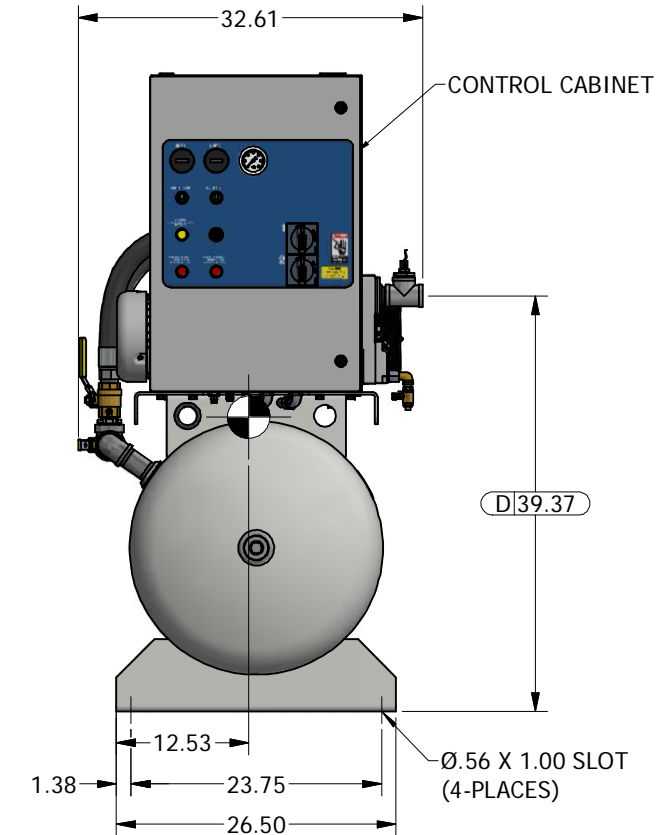
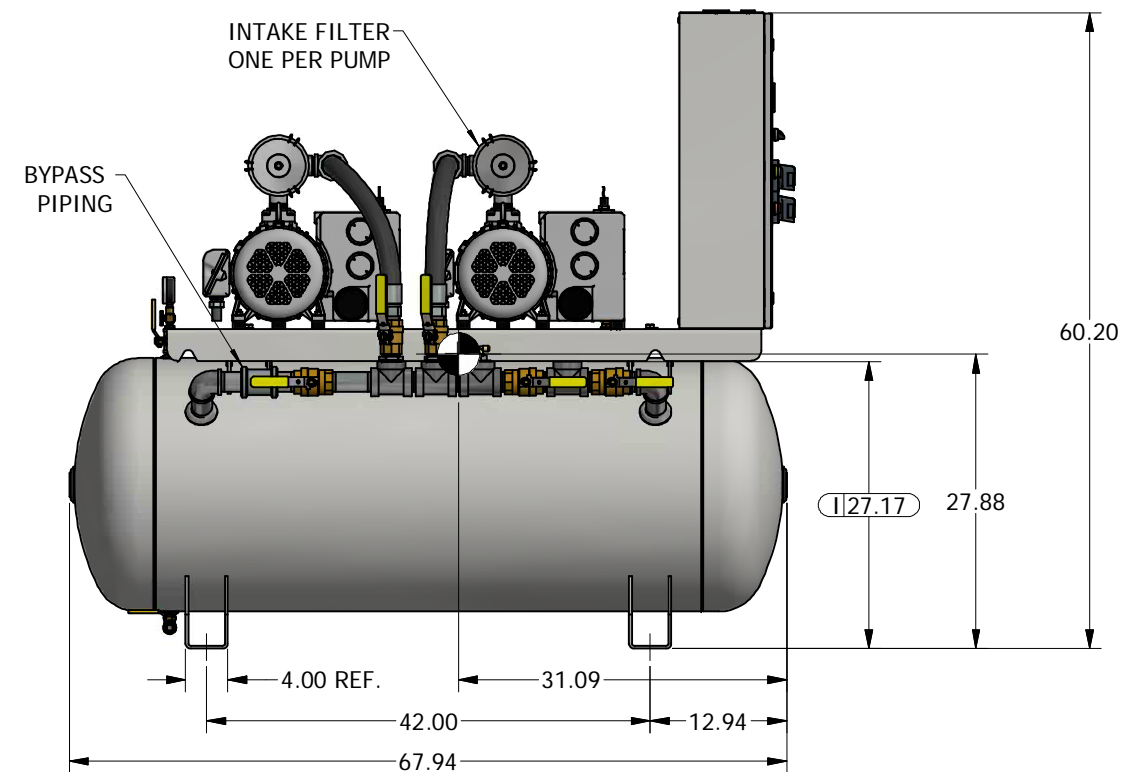
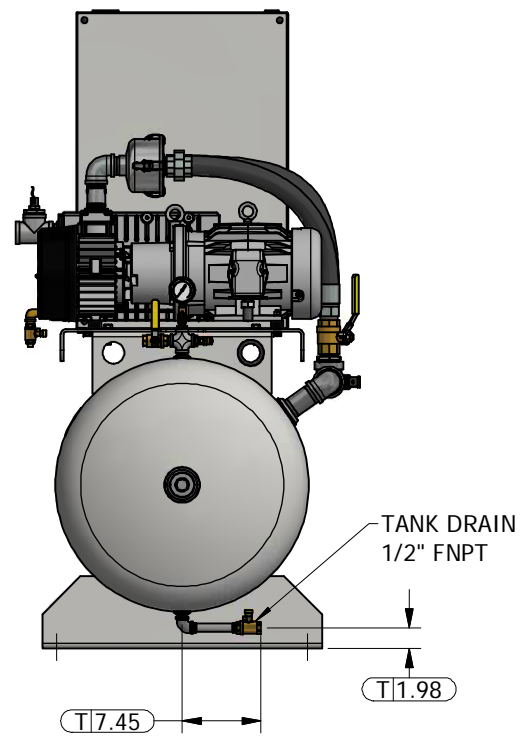
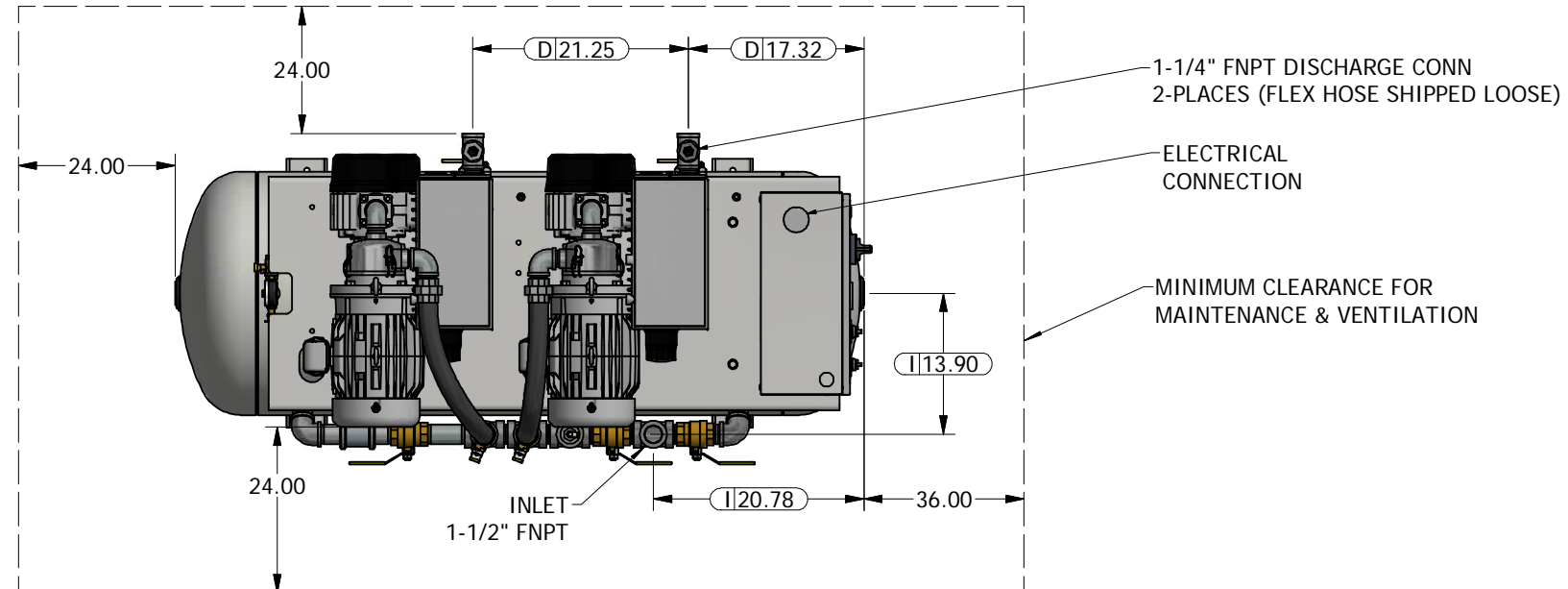


This drawing and the information contained thereon remain the property of BeaconMedes and may not be used for other than the purpose for which it is loaned without the expressed written permission from BeaconMedes Engineering.

- Notes:
1. SYSTEM WEIGHT: 926 LBS
  2.  DENOTES CENTER OF GRAVITY.

SYSTEM CONNECTIONS	
ID	DESCRIPTIONS
I	INLET LOCATION
D	DISCHARGE LOCATION
T	TANK DRAIN



Revised: MDB	Date: 05/15/2019	Drawn: jeb	Date: 05/03/2011
INSPECTION CHECKLIST UNLESS OTHERWISE SPECIFIED:		UNLESS OTHERWISE SPECIFIED ALL DIMENSIONS ARE IN INCHES AND TOLERANCES ARE: XX ±.02 XXX ±.005 ANGLES ±.5°	
ALL ITEMS MARKED BY ONE OF THE ABOVE SYMBOLS ARE TO BE INSPECTED		Description: GENERAL ASSEMBLY BASIC DX 3HP LUBE VAC TANK MOUNTED 120G RECEIVER	
EQUIPMENT TO BE USED DURING RECEIVING INSPECTION SHALL BE PER QUALITY SYSTEM PROCEDURES		Drawing Number: 4107 8530 71	
		Rev: 02	
		Sheet 1 of 1	
		DO NOT SCALE THIS DOCUMENT	