
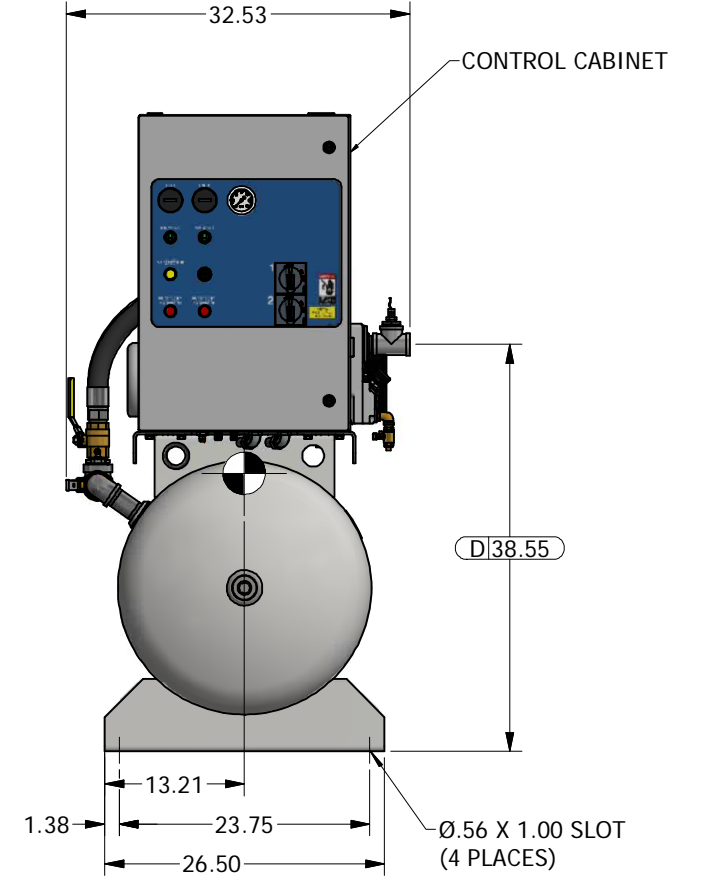
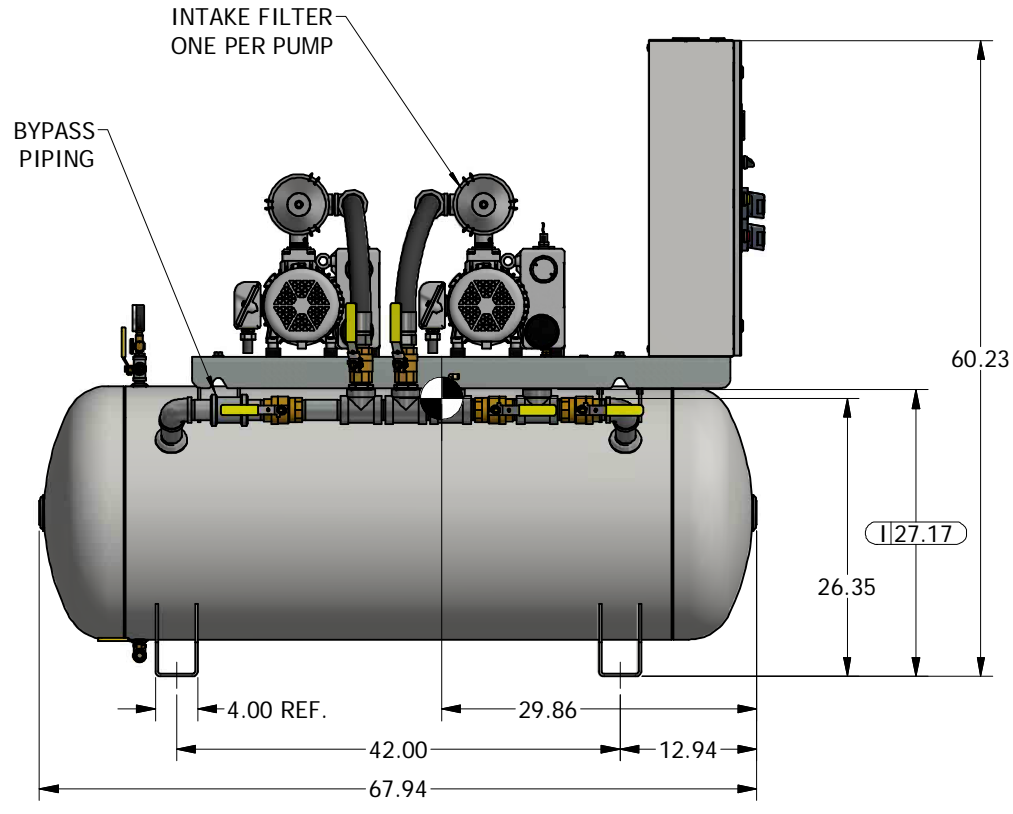
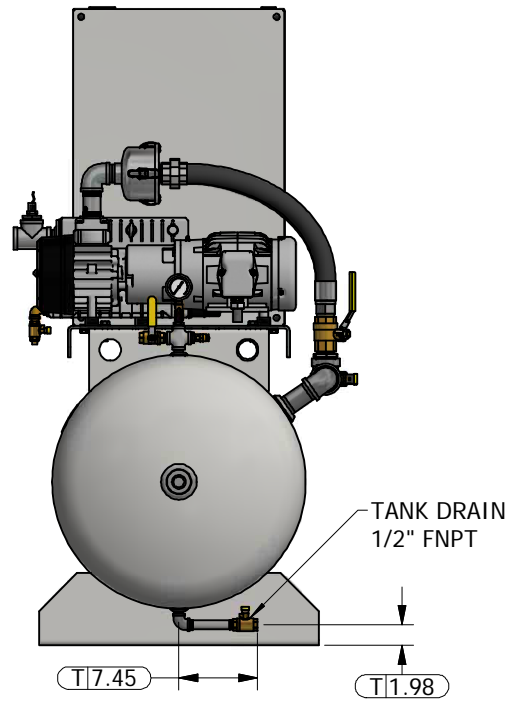
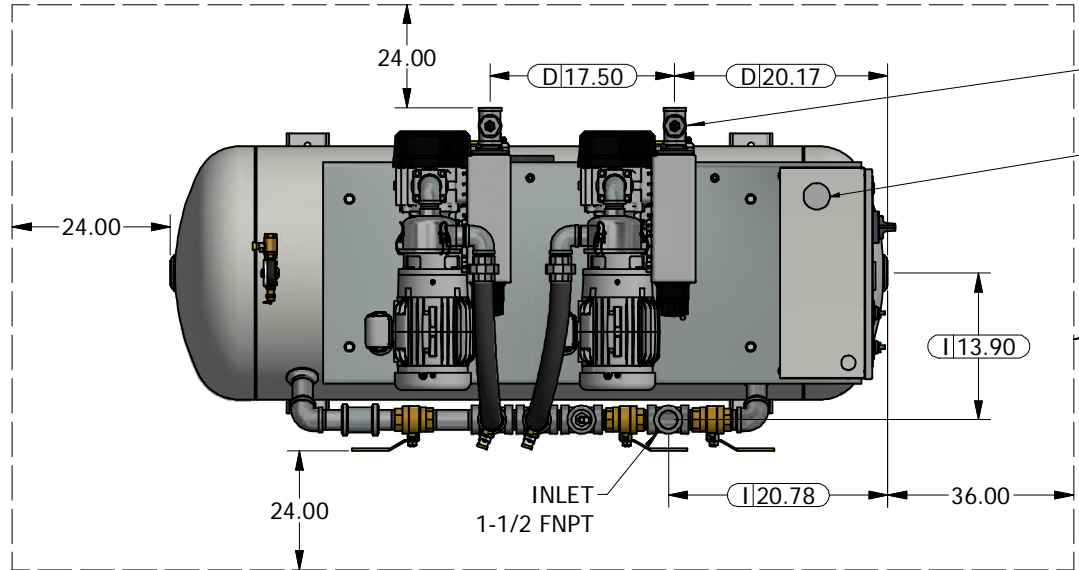


This drawing and the information contained thereon remain the property of BeaconMedes and may not be used for other than the purpose for which it is loaned without the expressed written permission from BeaconMedes Engineering.

- Notes:
1. SYSTEM WEIGHT: 783 LBS
 2.  DENOTES CENTER OF GRAVITY.

| SYSTEM CONNECTIONS | |
|--------------------|--------------------|
| ID | DESCRIPTIONS |
| I | INLET LOCATION |
| D | DISCHARGE LOCATION |
| T | TANK DRAIN |



| | | | |
|---|------------------|--|------------------|
| Revised: MDB | Date: 05/15/2018 | Drawn: jeb | Date: 05/03/2011 |
| INSPECTION CHECKLIST UNLESS OTHERWISE SPECIFIED: | | UNLESS OTHERWISE SPECIFIED ALL DIMENSIONS ARE IN INCHES AND TOLERANCES ARE: XX ±.02 XXX ±.005 ANGLES ±.5° | |
| ALL ITEMS MARKED BY ONE OF THE ABOVE SYMBOLS ARE TO BE INSPECTED | | Description: GENERAL ASSEMBLY BASIC DX 1.5HP LUBE VAC TANK MOUNTED 120G RECEIVER | |
| EQUIPMENT TO BE USED DURING RECEIVING INSPECTION SHALL BE PER QUALITY SYSTEM PROCEDURES | | Drawing Number: 4107 8531 07 | |
| | | Rev: 02 | |
| | | Sheet 1 of 1 | |
| | | DO NOT SCALE THIS DOCUMENT | |