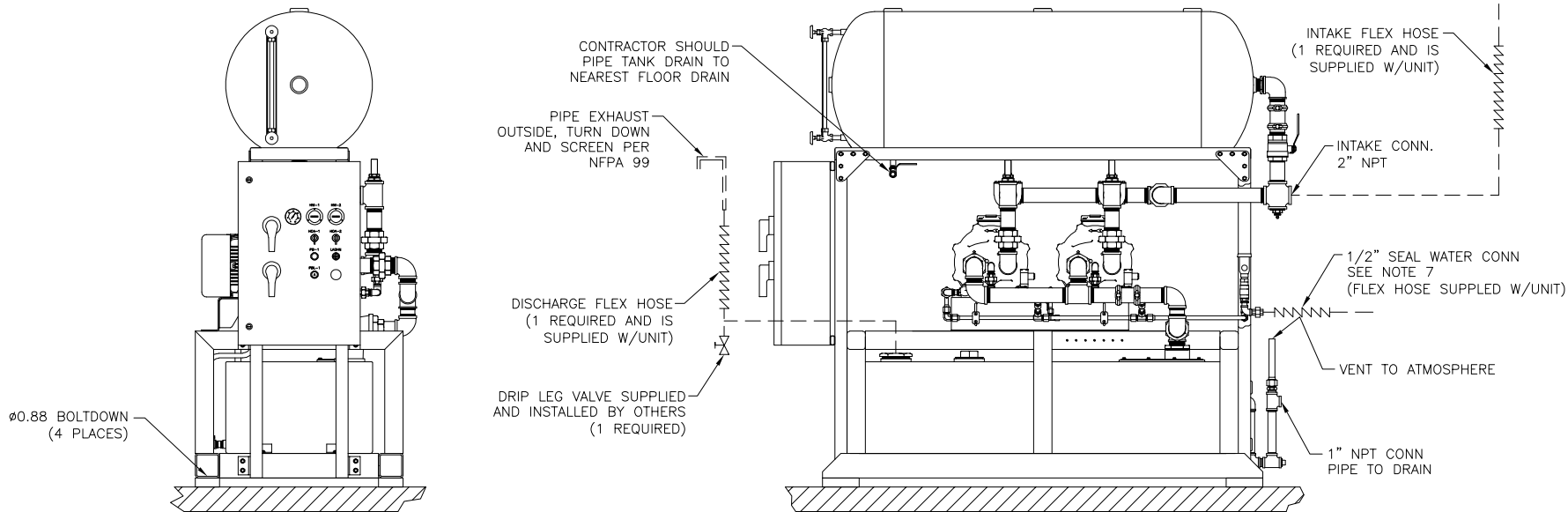


FIELD PIPING
 == == EXHAUST PIPE SIZE TABLE

| UNIT SIZE | PIPE LENGTH | |
|-----------|-------------|-----------|
| | 0-100' | 101'-400' |
| DPX 7.5 | 3.00" NPT | 4.00" NPT |

FOR INTAKE PIPE SIZING REFER TO STANDARD PRESSURE DROP TABLES. TOTAL PRESSURE DROP SHOULD BE LESS THAN 2" HG AT A SYSTEM VACUUM LEVEL OF 15" HG



GENERAL NOTES:

- ALL INTERCONNECTING PIPE AND FITTINGS SHALL BE SUPPLIED AND INSTALLED BY THE CONTRACTOR.
- ALL PIPING SHALL BE INSTALLED IN ACCORDANCE WITH NFPA 99, 2005 EDITION. PIPING LAYOUT IS DIAGRAMMATIC ONLY. FINAL ARRANGEMENT WILL BE SITE SPECIFIC. CONTRACTOR WILL BE RESPONSIBLE FOR FIELD VERIFICATION AND COORDINATING ACTUAL LOCATION WITH ALL OTHER TRADES.
- CONTRACTOR SHALL VERIFY MOTOR VOLTAGE, PHASE AND AMP RATINGS BEFORE STARTING ELECTRICAL INSTALLATION AND MAKE CERTAIN THE VOLTAGE SUPPLIED BY THE HOSPITAL IS THE SAME.
- THE ROOM REQUIRES DEDICATED MECHANICAL VENTILATION WITH AN ALLOWABLE TEMPERATURE VARIANCE OF 40' TO 105' (FOR HIGHER AMBIENTS, CONSULT FACTORY).
- ELECTRICAL POWER SHOULD BE SUPPLIED FROM THE EQUIPMENT SYSTEM BRANCH OF THE ESSENTIAL ELECTRICAL SYSTEM (EMERGENCY POWER).
- EQUIPMENT, INSTALLATION, AND TESTING OF THE MEDICAL VACUUM SYSTEM SHALL COMPLY WITH NFPA 99, 2005 EDITION, AND ALL STATE AND LOCAL CODES OR ORDINANCES.
- MINIMUM SEAL WATER SUPPLY PRESSURE SHALL BE 25-PSIG. THE SEAL WATER SHALL BE NON-CORROSIVE TO SYSTEM MATERIALS. MAKE CERTAIN THAT THE SEAL WATER MEETS THE FOLLOWING REQUIREMENTS:
 - MAXIMUM PH - 6-1/2 TO 8-1/2
 - MAXIMUM CHLORIDES - 100 PPM
 - MAXIMUM TOTAL DISSOLVED SOLIDS - 200 PPM
 - TOTAL HARDNESS - 200 PPM MAX CALCIUM CARBONATE
- ALLOW 36 INCHES IN FRONT OF CONTROL SYSTEM FOR MAINTENANCE AND VENTILATION, ALL OTHER SIDES REQUIRE 24 INCHES OF CLEARANCE.
- ALL ACCESSORIES, PIPE AND FITTINGS, EXCEPT FLEX HOSES, BEYOND INLET, SEAL WATER AND DISCHARGE PORTS WILL BE SUPPLIED AND INSTALLED BY OTHERS.
- WIRE LAG ALARM REMOTE CONTACTS IN THIS PANEL TO MASTER ALARM PANEL AS REQUIRED BY NFPA 99.
- ALWAYS CONSIDER SURROUNDING OCCUPANCIES FOR ALL ROTATING EQUIPMENT. ADDITIONAL ISOLATION/VIBRATION TRANSLATION REQUIREMENTS DUE TO SYSTEM LOCATION SHOULD BE DETERMINED AND PROVIDED BY OTHERS.

| | | | |
|---|-----------------|--------------------------------|----------------|
| Revised: a05640201 | Date: 9/19/2023 | Drawn: MJB | Scale: 9/19/11 |
| This drawing and the information contained hereon shall remain the property of BeaconMedics and may not be used for other than the purpose for which it is loaned without the expressed written permission from BeaconMedics Engineering. | | | |
| BEACONMEDICS | | 4107 8520 19 | |
| Description: INST DIA LL DPX CAMEL TYPE 1 VAC SYSTEM SX25/7.5HP | | Part Number: HOP230293 Rev: 02 | |
| Sheet 1 of 1 | | DO NOT SCALE THIS DOCUMENT | |