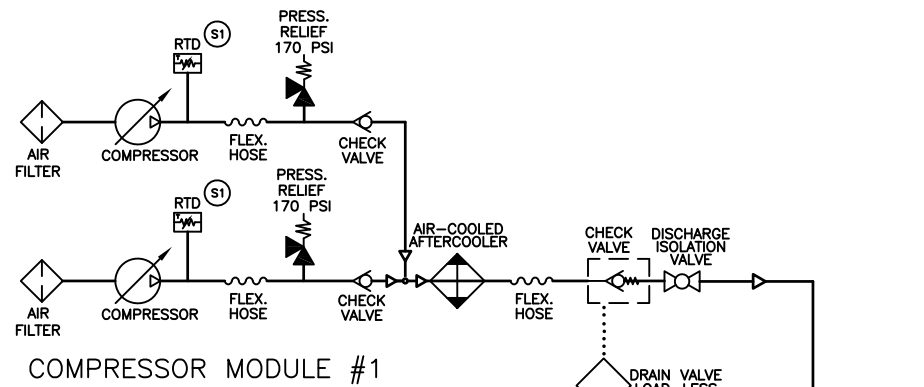
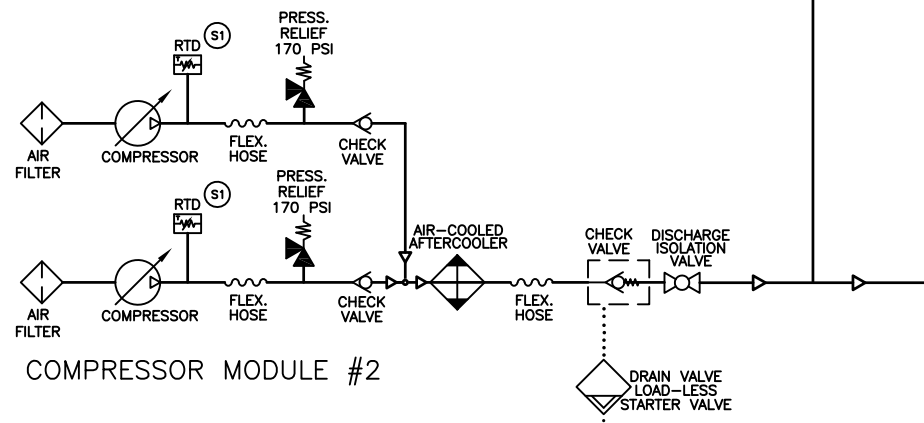


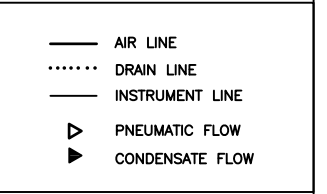
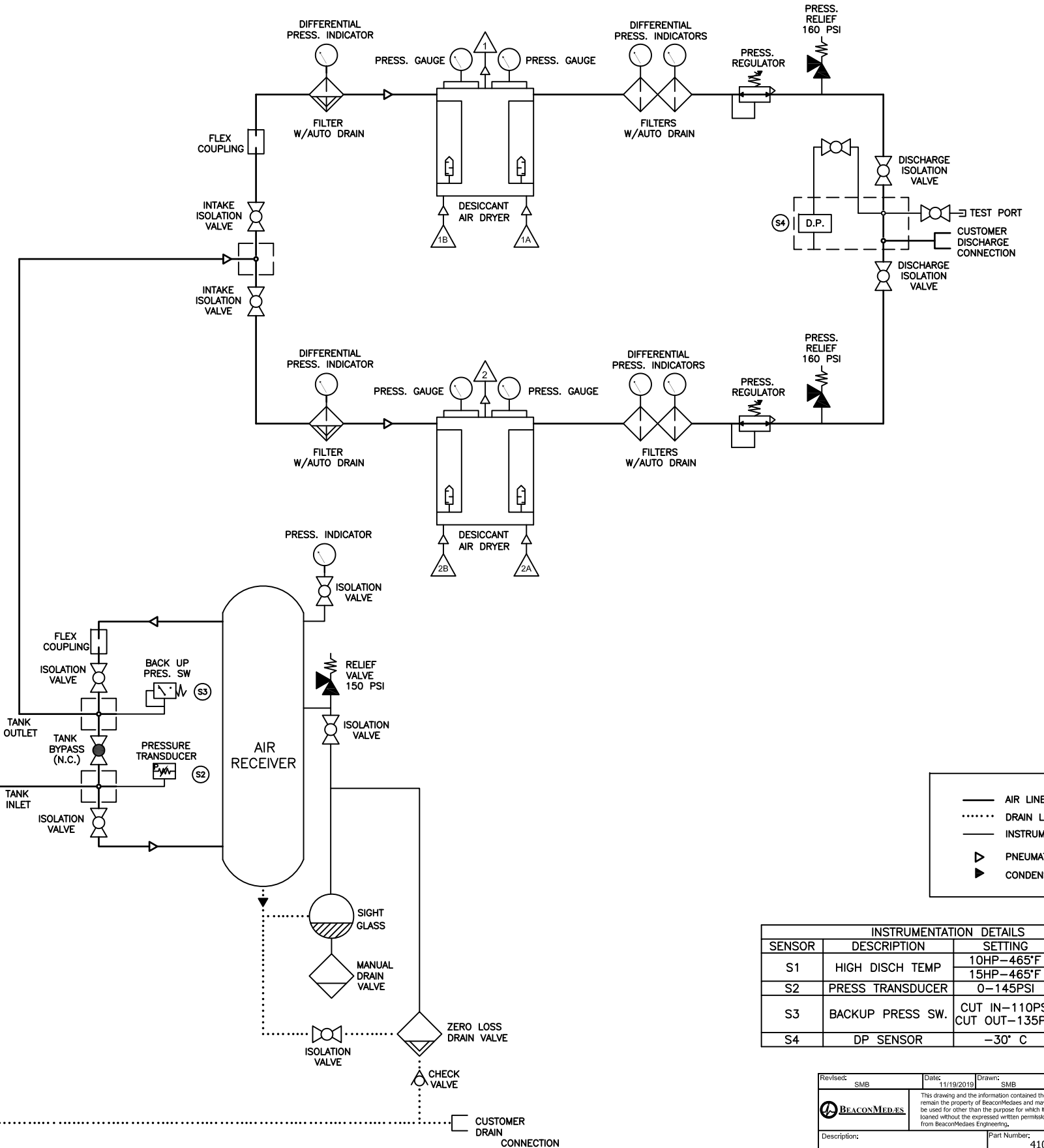
DESICCANT AIR DRYER SOLENOID VALVE ASM
(LOCATED ON SIDE OF CONTROL PANEL LEG)



COMPRESSOR MODULE #1



COMPRESSOR MODULE #2



INSTRUMENTATION DETAILS			
SENSOR	DESCRIPTION	SETTING	ACTION
S1	HIGH DISCH TEMP	10HP-465°F 15HP-465°F	SHUTDOWN
S2	PRESS TRANSDUCER	0-145PSI	OPERATION
S3	BACKUP PRESS SW.	CUT IN-110PSI CUT OUT-135PSI	BACKUP OPERATION
S4	DP SENSOR	-30° C	ALARM

Revised: SMB	Date: 11/19/2019	Drawn: SMB	Date: 08/12/2019
			Scale: NTS
Description: DWG PNEU DX SCRL LAB 10-15HP 10BAR -40		Part Number: 4107 8570 27	
Sheet 1 of 1		DO NOT SCALE THIS DOCUMENT	