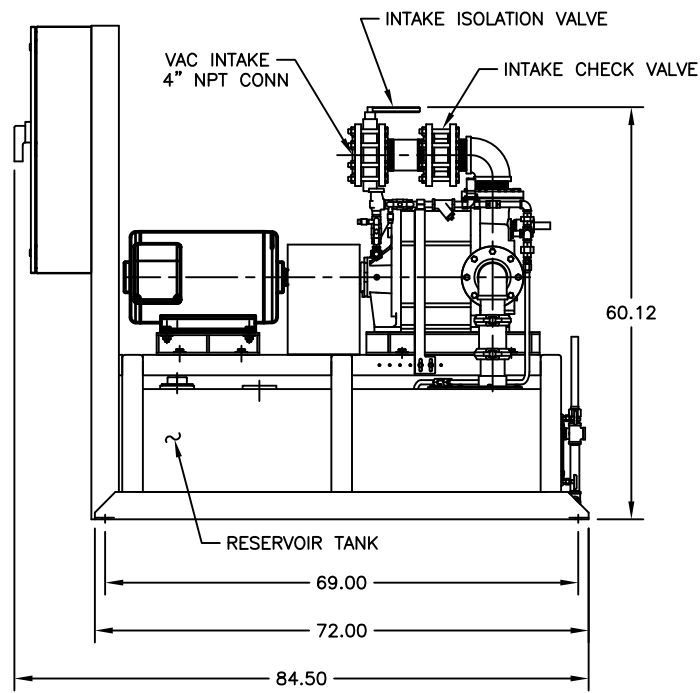
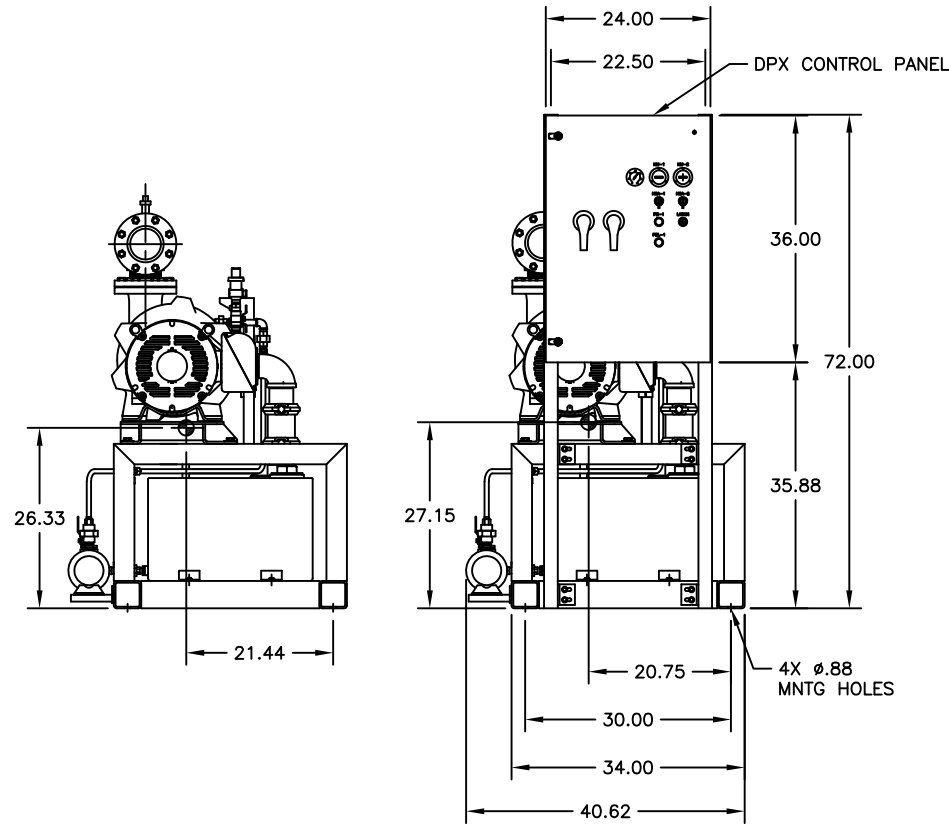
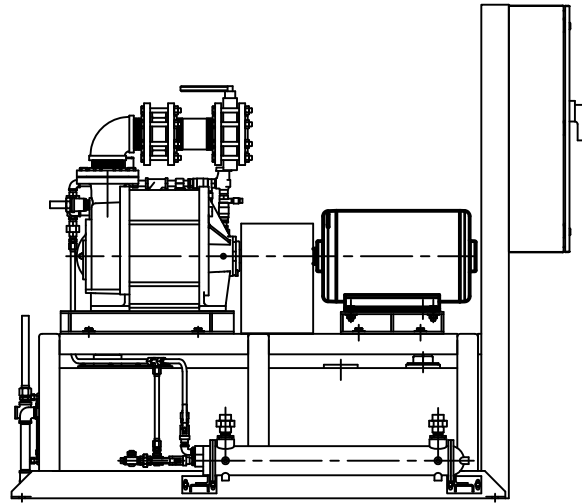
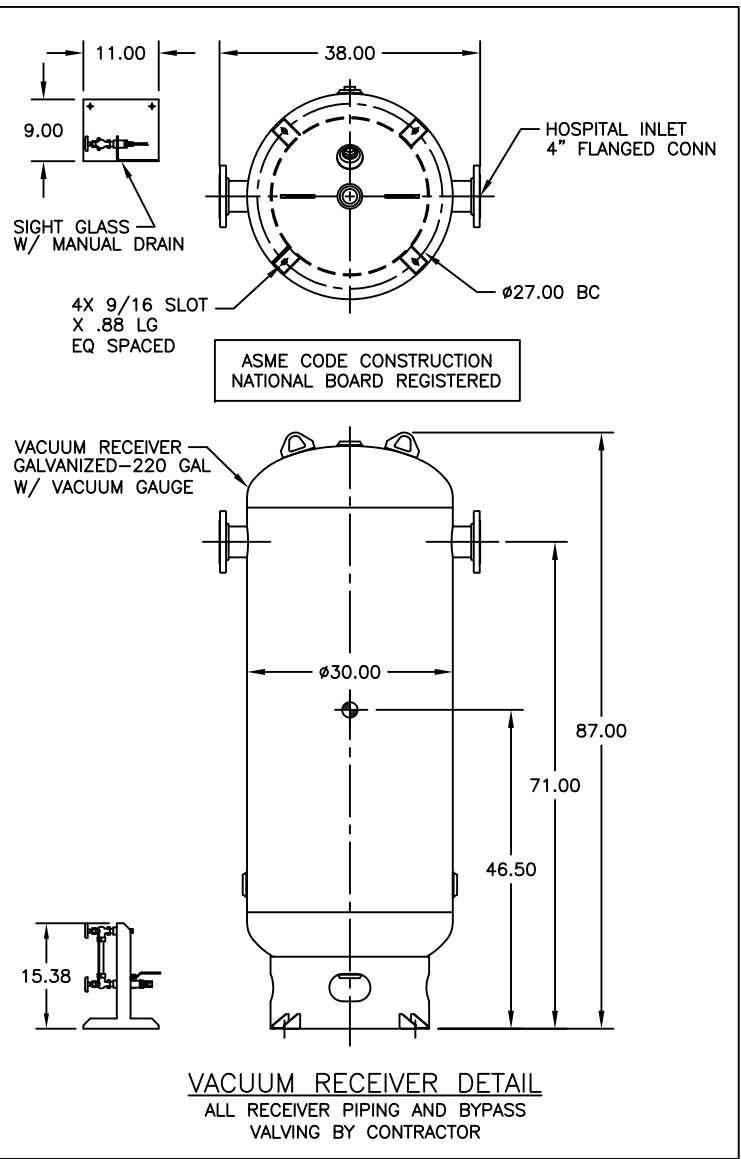
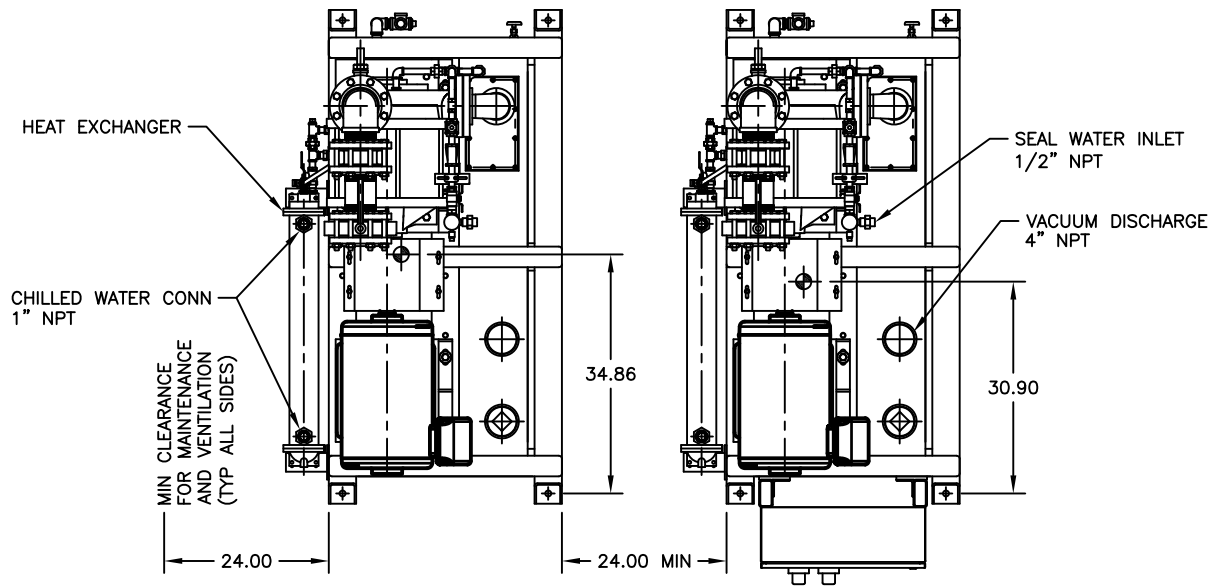


MODEL NUMBER	UNIT (HP)	PUMP MODEL	RECEIVER (GALLONS)	WEIGHT (lbs.)		
				SIMPLEX MODULE	SIMPLEX MODULE WITH CONTROL PANEL	RECEIVER MODULE
LVS-30D-RC220V	30	GL-100	220	1907	2131	565



- NOTE:**
1. FLEX HOSES ARE SHIPPED LOOSE.
 2. ALL WIRING AND INTAKE MANIFOLD BETWEEN MODULES SUPPLIED BY OTHERS.
 3. INDICATES CENTER OF GRAVITY.

BEACONMEDES

TITLE:
LL DPX CAMEL TYPE 2 VACUUM SYSTEM
GENERAL ASSEMBLY - GL-100/30HP

DESIGN BY: T. FELLER	DATE: 08/29/05	This drawing and the information contained therein remain the property of BeaconMedes and may not be used for other than the purpose for which it is loaned without the expressed written permission from BeaconMedes Engineering.
CHECKED BY:	DATE:	
REVISED BY: B.M.	DATE: 11/11/10	
SCALE: 1/14	D	
DRAWING NO. DIA 24 229	REV. C	