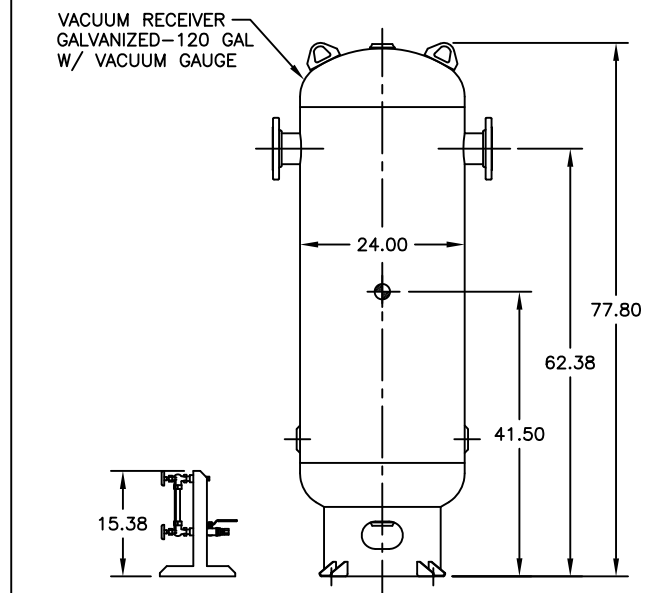
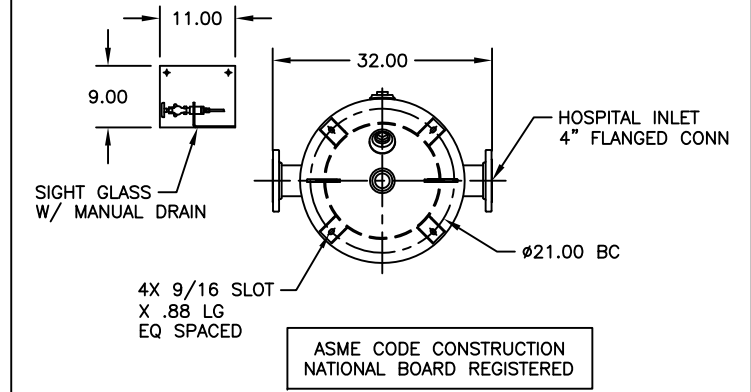
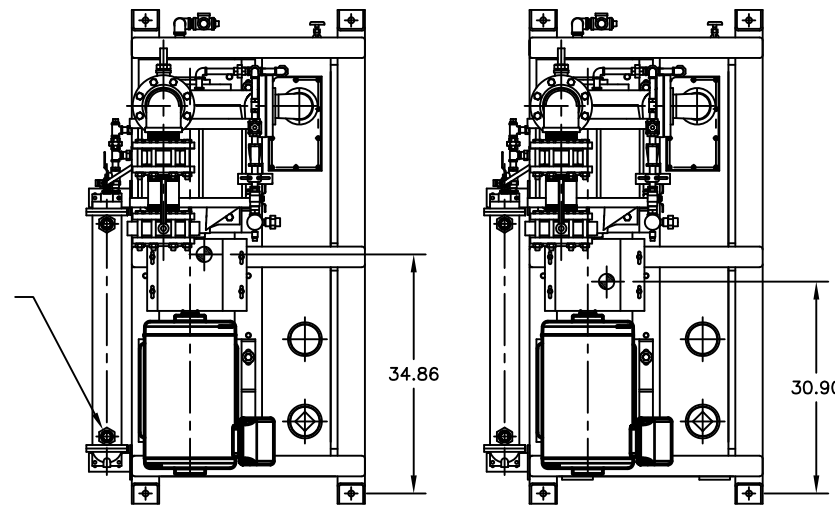
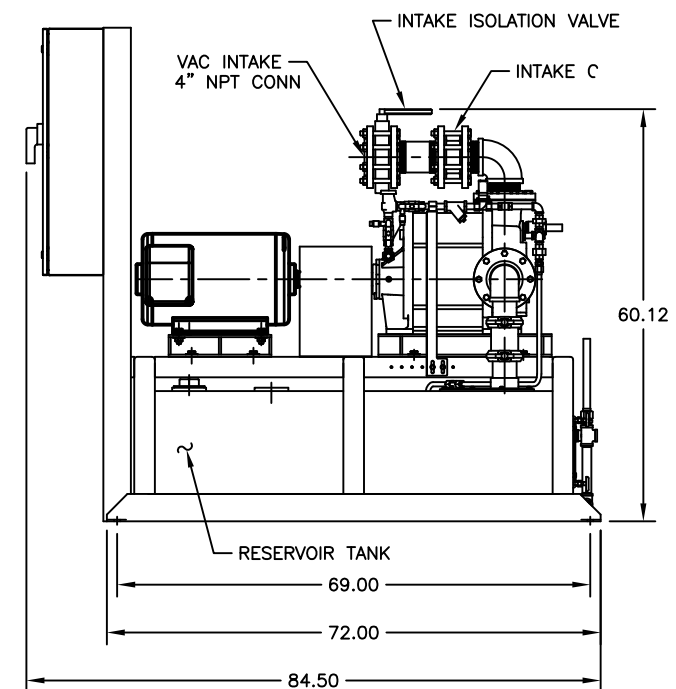
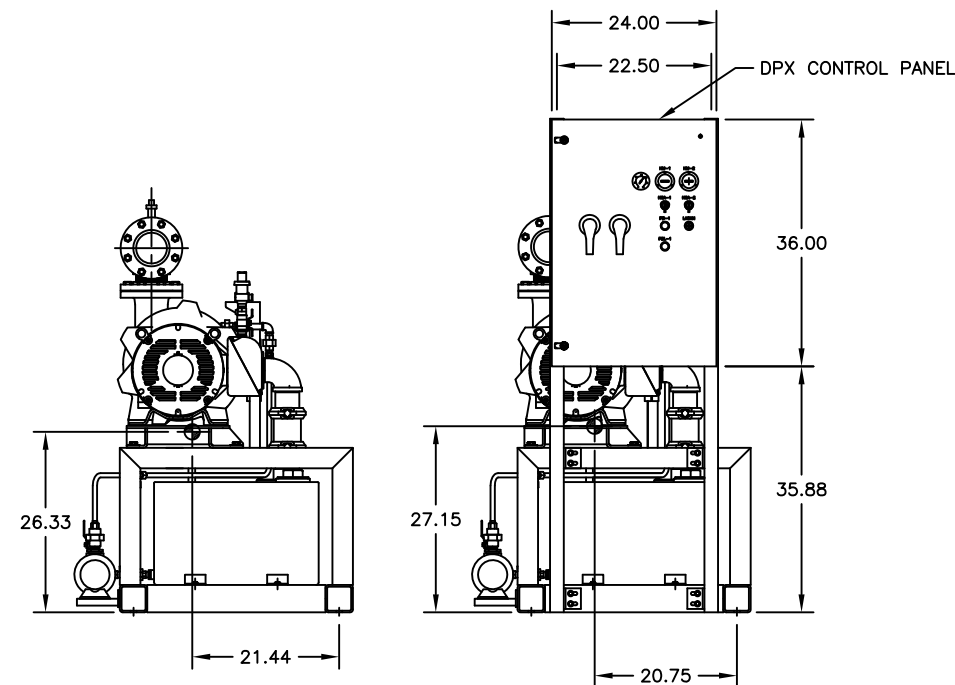
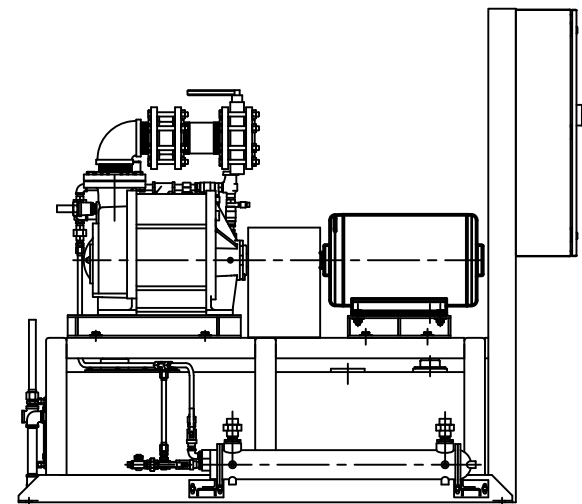


REAR VIEW
2 PLACES

MODEL NUMBER	UNIT (HP)	PUMP MODEL	RECEIVER (GALLONS)	WEIGHT (lbs.)		
				SIMPLEX MODULE	SIMPLEX MODULE WITH CONTROL PANEL	RECEIVER MODULE
LVS-30D-RC120V	30	GL-100	120	1907	2131	350



VACUUM RECEIVER DETAIL
ALL RECEIVER PIPING AND
BYPASS VALVING BY CONTRACTOR



- NOTE:
1. FLEX HOSES ARE SHIPPED LOOSE.
 2. ALL WIRING AND INTAKE MANIFOLD BETWEEN MODULES SUPPLIED BY OTHERS.
 3. ⊕ INDICATES CENTER OF GRAVITY.



TITLE: LL DPX CAMEL TYPE 2 VACUUM SYSTEM GENERAL ASSEMBLY - GL-100/30HP			
DESIGN BY: T. FELLER	DATE: 08/29/05	This drawing and the information contained thereon remain the property of BeaconMedes and may not be used for other than the purpose for which it is loaned without the expressed written permission from BeaconMedes Engineering.	
CHECKED BY:	DATE:	DRAWING NO. DIA 24 228	REV. C
REVISED BY: B.M.	DATE: 11/11/10	SCALE: 1/14 D	