

GENERAL NOTES:

1. ALL INTERCONNECTING PIPE AND FITTINGS SHALL BE SUPPLIED AND INSTALLED BY THE CONTRACTOR.
2. ALL PIPING SHALL BE INSTALLED IN ACCORDANCE WITH NFPA 99, 2005 EDITION. PIPING LAYOUT IS DIAGRAMMATIC ONLY. CONTRACTOR WILL BE RESPONSIBLE FOR FIELD VERIFICATION AND FINAL ARRANGEMENT WILL BE SITE SPECIFIC. COORDINATING ACTUAL LOCATION WITH ALL OTHER TRADES.
3. CONTRACTOR SHALL VERIFY MOTOR VOLTAGE, PHASE AND AMP RATINGS BEFORE STARTING ELECTRICAL INSTALLATION AND MAKE CERTAIN THE VOLTAGE SUPPLIED BY THE HOSPITAL IS THE SAME.
4. THE ROOM REQUIRES DEDICATED MECHANICAL VENTILATION WITH AN ALLOWABLE TEMPERATURE VARIANCE OF 40°
5. ELECTRICAL POWER SHOULD BE SUPPLIED FROM THE EQUIPMENT SYSTEM BRANCH OF THE ESSENTIAL ELECTRICAL SYSTEM (EMERGENCY POWER).
6. CONTRACTOR TO WIRE FROM MOTOR TO CONTROL PANEL FOR EACH SIMPLEX MODULE. (FOR MOTOR FLA, SEE WIRING DIAGRAM)
7. EQUIPMENT, INSTALLATION, AND TESTING OF THE MEDICAL VACUUM SYSTEM SHALL COMPLY WITH NFPA 99, 2005 EDITION, AND ALL STATE AND LOCAL CODES OR ORDINANCES.
8. MIN. SEAL WATER SUPPLY PRESSURE SHALL BE 25PSIG. THE SEAL WATER SHALL BE NON-CORROSIVE TO SYSTEM MTL'S. MAKE CERTAIN THAT THE SEAL WATER MEETS THE FOLLOWING REQUIREMENTS:

MAXIMUM PH - 6-1/2 TO 8-1/2
 MAXIMUM CHLORIDES - 100 PPM
 MAXIMUM TOTAL DISSOLVED SOLIDS - 200 PPM
 TOTAL HARDNESS - 200 PPM MAX CALCIUM CARBONATE

ITEMS SUPPLIED LOOSE

- A. (2) 1/2 X 10 BRONZE FLEX HOSE
 (4) 1 X 12 BRONZE FLEX HOSE
 (2) 4 X 27 304STST FLEX HOSE
 (2) 4 X 27 304STST FLEX HOSE
 (8) VIBRATION ISOLATOR PADS
- B. (1) STAND ALONE SIGHT GLASS
 (1) VACUUM GAUGE
 (1) TANK PLUGS

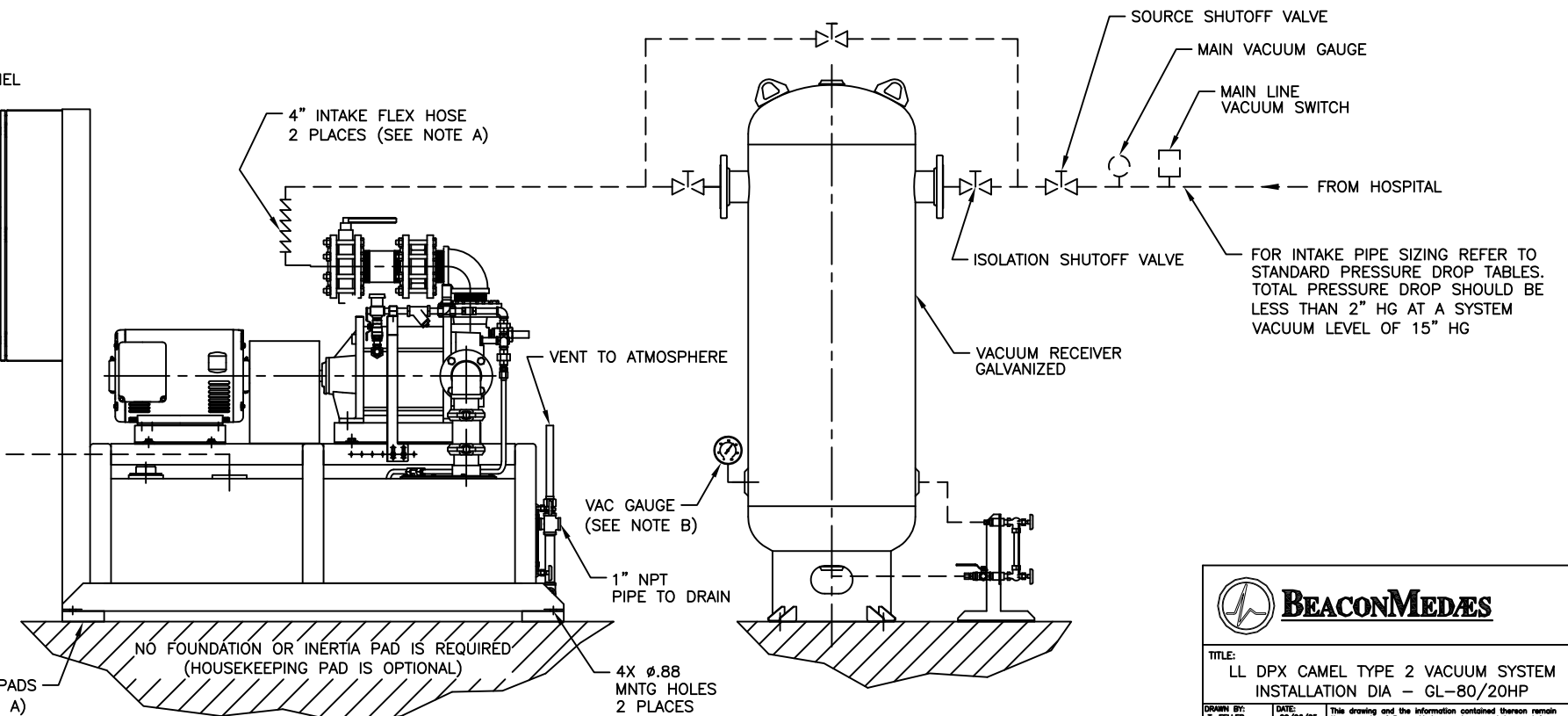
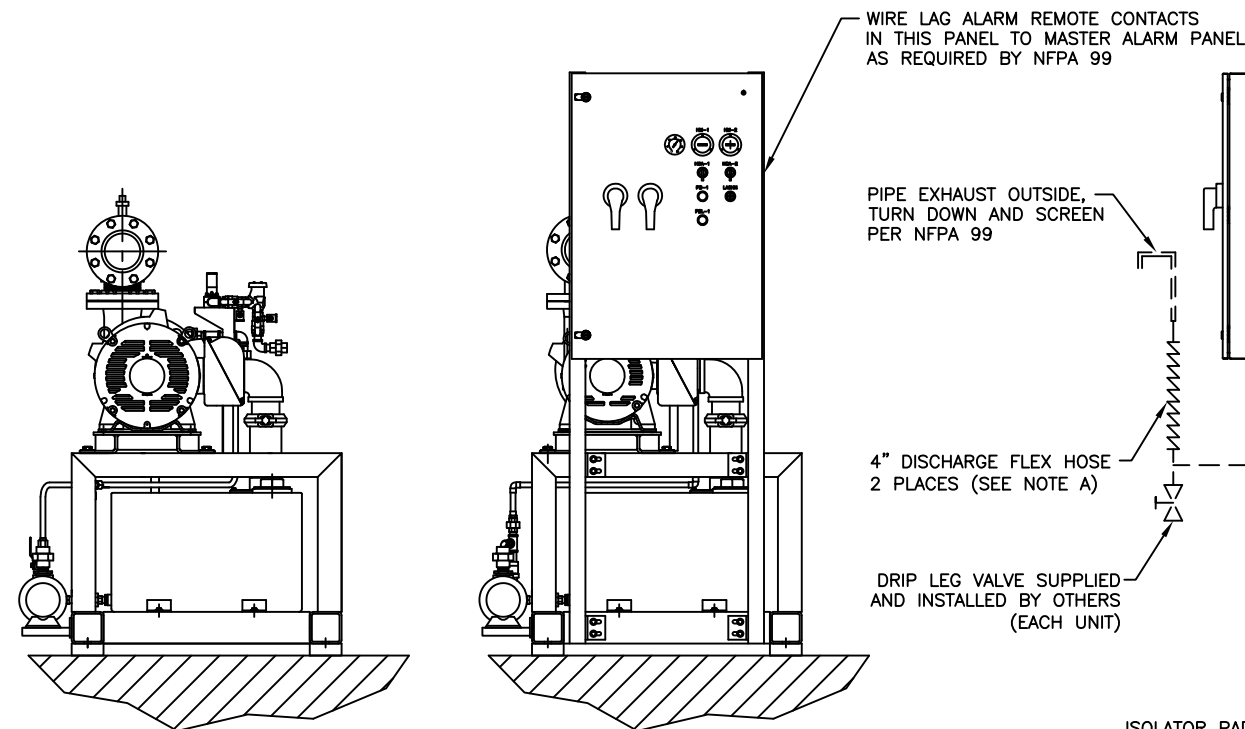
FIELD PIPING

== EXHAUST PIPE SIZE TABLE

UNIT SIZE	PIPE LENGTH	
	0-250'	251'-500'
DPX 20	4.00" NPT	5.00" NPT

MOTOR CONDUIT & WIRE SIZE

POWER	20HP VACUUM PUMP	
	AWG#	CONDUIT
208/3/60	4	1"
230/3/60	4	1"
460/3/60	8	3/4"



TITLE:
 LL DPX CAMEL TYPE 2 VACUUM SYSTEM
 INSTALLATION DIA - GL-80/20HP

DRAWN BY: T. FELLER	DATE: 09/06/05	This drawing and the information contained therein remain the property of BeaconMedes and may not be used for other than the purpose for which it is issued without the expressed written permission from BeaconMedes Engineering.
CHECKED BY: T. CONNER	DATE: 09/06/05	
REVISED BY: MDB	DATE: 02/21/12	
SCALE: 1/12	D	
DRAWING NO. DIA 27 209		REV. B