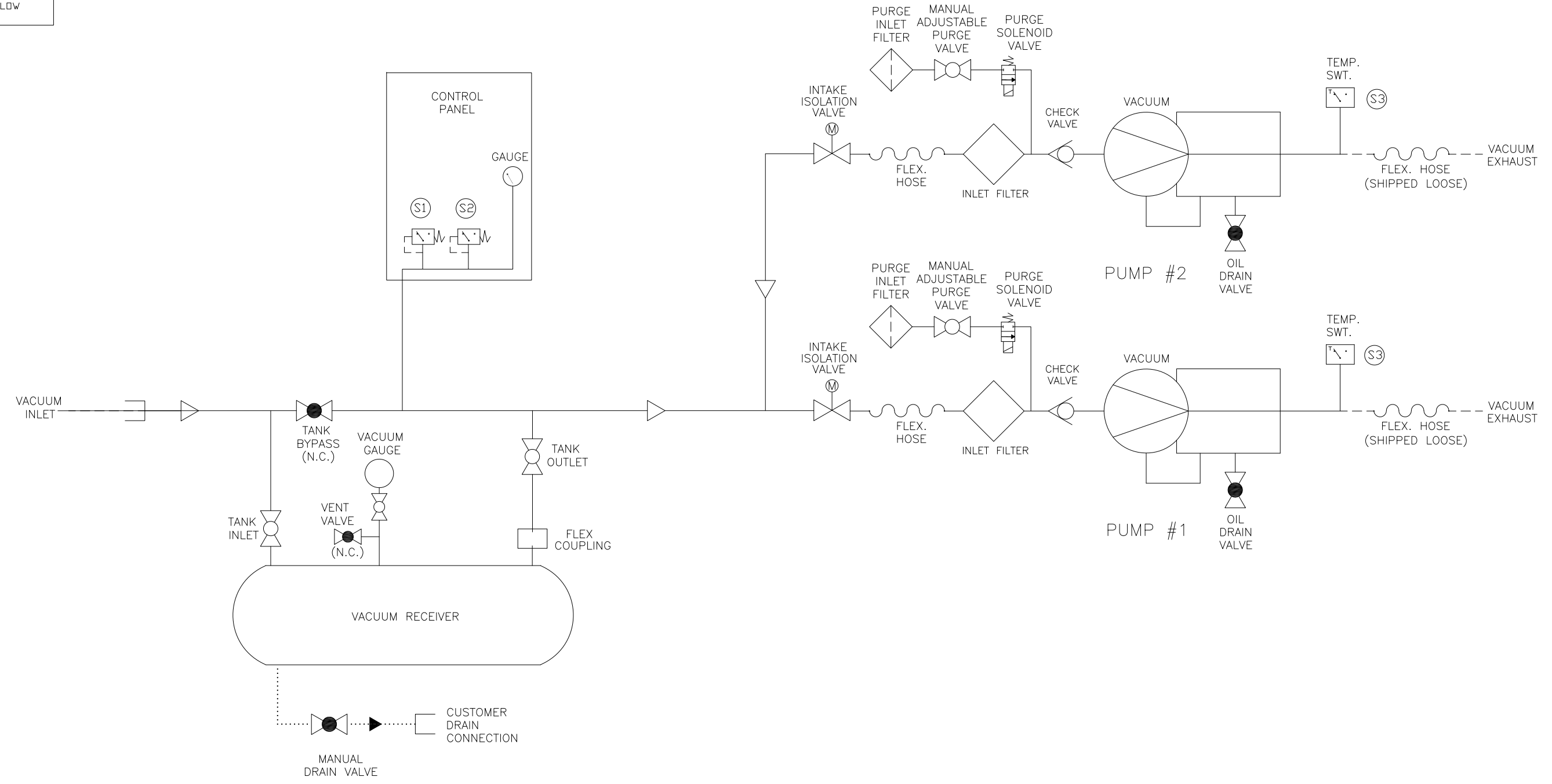
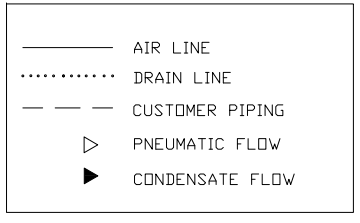


This drawing and the information contained thereon remain the property of BeaconMedas and may not be used for other than the purpose for which it is loaned without the expressed written permission from BeaconMedas Engineering.

INSTRUMENTATION DETAILS			
SENSOR	DESCRIPTION	SETTING	ACTION
S1	LEAD VAC SWT.	REF. WIRING DIA	OPERATION
S2	BACKUP VAC SWT.	REF. WIRING DIA	BACKUP OPERATION
S3	HIGH DISCH TEMP SWT.	1.5-5HP 245°F	SHUTDOWN



Revised:	Date:	Drawn:	Date:
		MOB	09/20/2017
UNLESS OTHERWISE SPECIFIED ALL DIMENSIONS ARE IN INCHES AND TOLERANCES ARE:			
XX ±.02		XXX ±.0005	
XXXX ±.005		ANGLES ±.5	
Description:		Part Number:	
PNEUMATIC DIAGRAM DX 3-5 HP LAB LUBE TANK MT V - BASIC		4107 8563 38	
DN:	HOP170850	Rev:	00
Sheet	1 of 1	DO NOT SCALE THIS DOCUMENT	