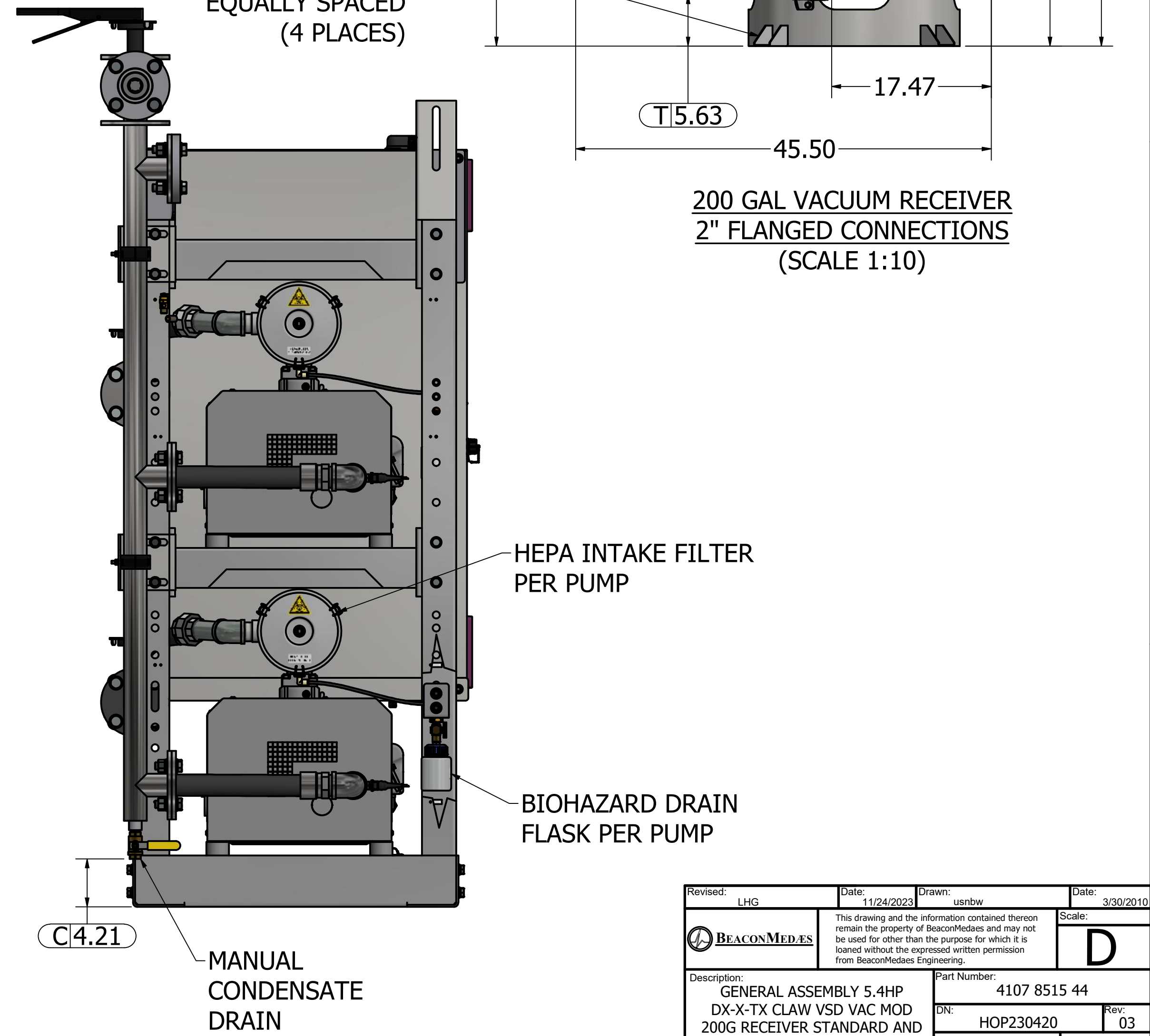
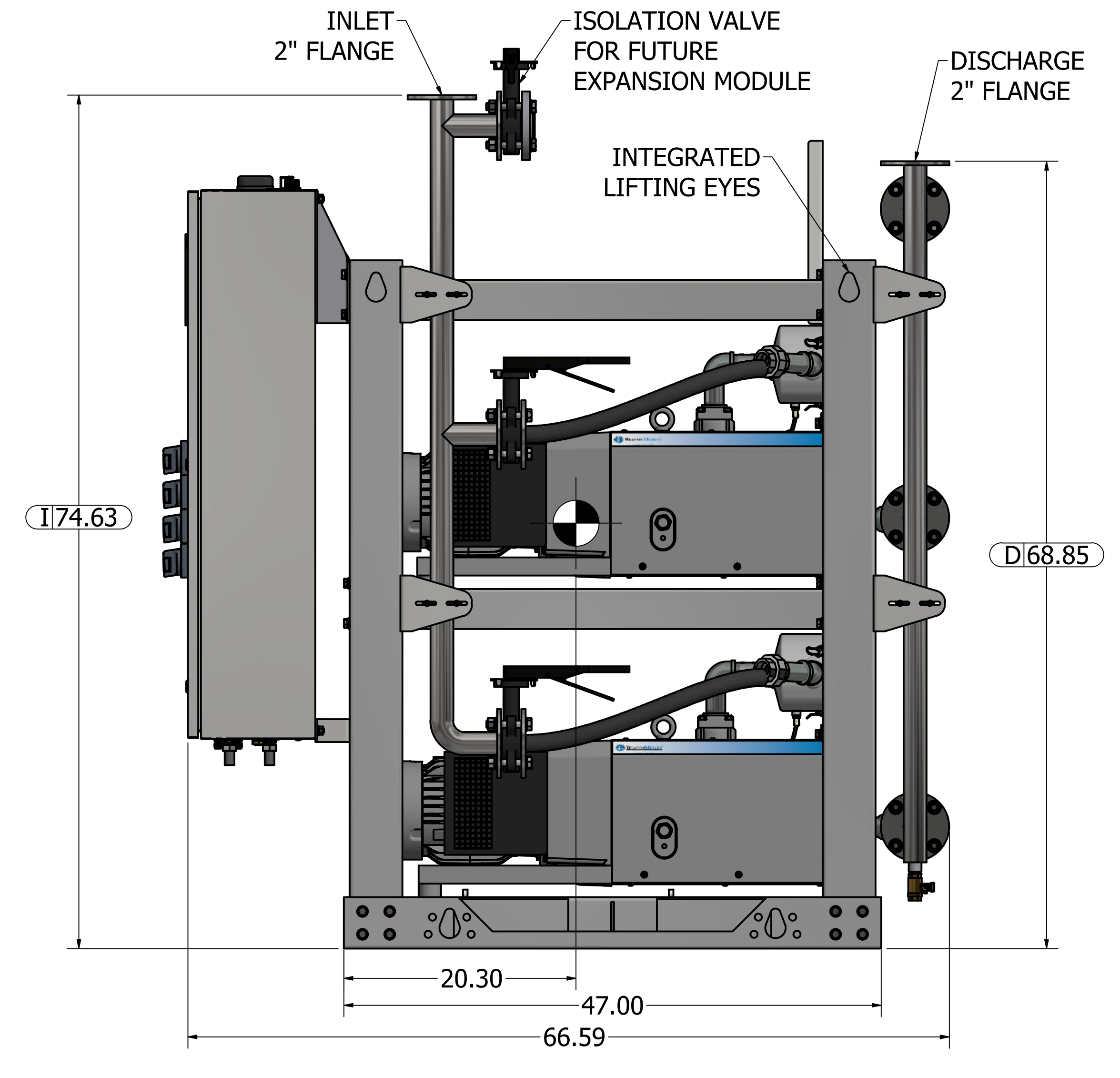
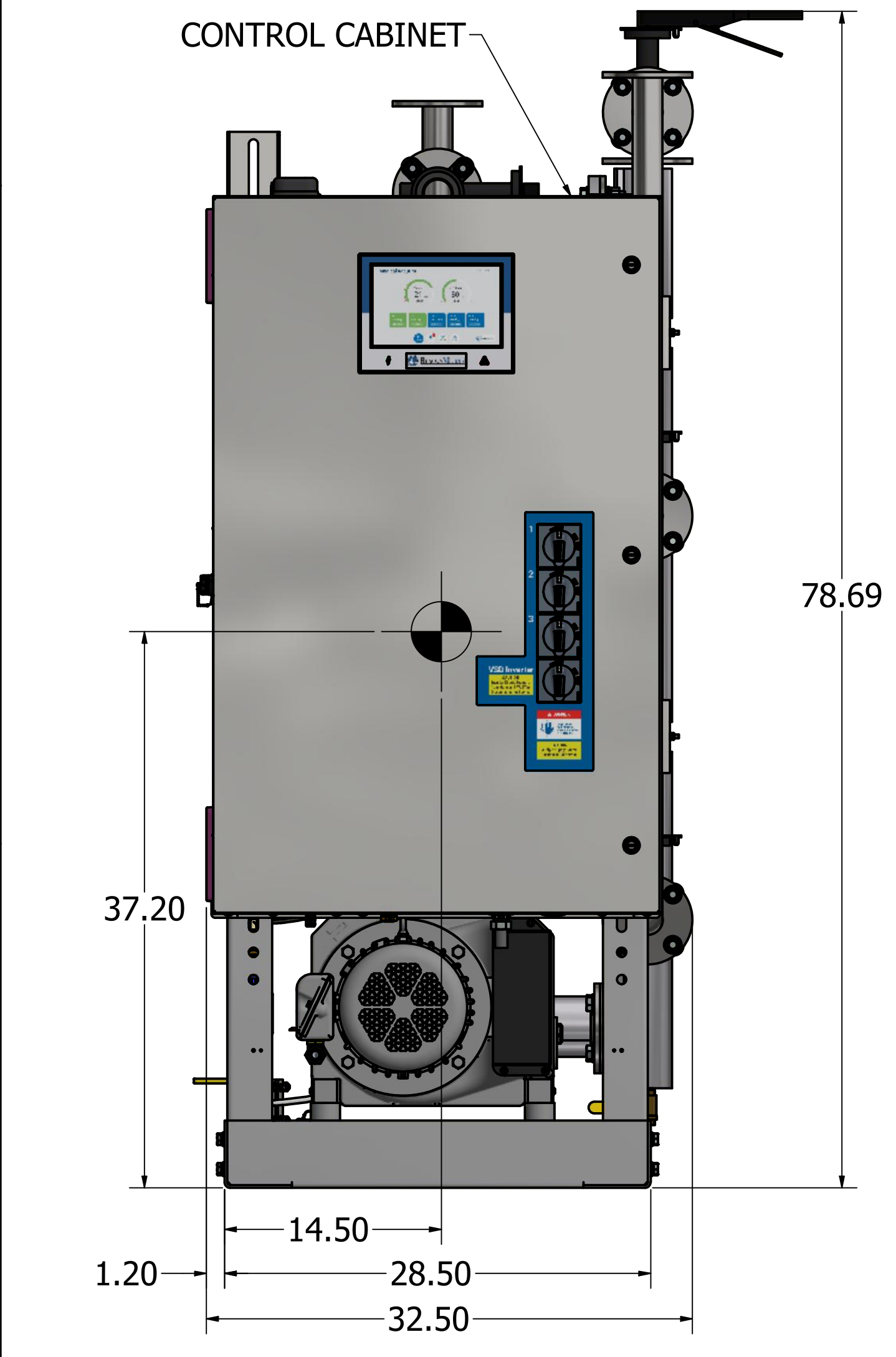
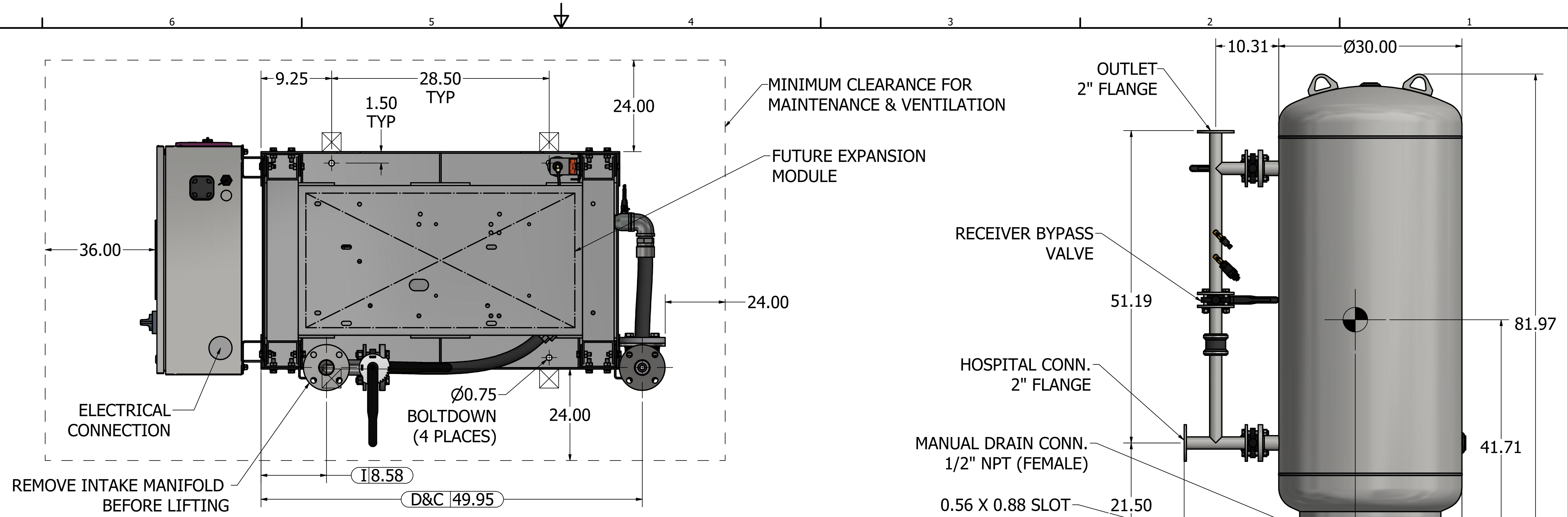


Notes:

- DISCHARGE MUFFLER WILL BE SHIPPED LOOSE.
- PUMP MODULE WEIGHT: 2,013 LBS (INCLUDES FUTURE EXPANSION MODULE).
200G TANK WEIGHT: 618 LBS
- ☒ INDICATES LIFTING POINT.
- DENOTES CENTER OF GRAVITY (INCLUDES FUTURE EXPANSION MODULE).

SYSTEM CONNECTIONS	
ID	DESCRIPTION
I	INLET CONNECTION
D	DISCHARGE CONNECTION
C	CONDENSATE DRAIN CONNECTION
T	TANK DRAIN



Revised: LHG	Date: 11/24/2023	Drawn: usnbw	Date: 3/30/2010
		This drawing and the information contained therein remain the property of BeaconMedes and may not be used for other than the purpose for which it is loaned without the expressed written permission from BeaconMedes Engineering.	
Description: GENERAL ASSEMBLY 5.4HP DX-X-TX CLAW VSD VAC MOD 200G RECEIVER STANDARD AND O2 ASSURED		Part Number: 4107 8515 44	
DN: HOP230420		Rev: 03	
Sheet 1 of 1		DO NOT SCALE THIS DOCUMENT	